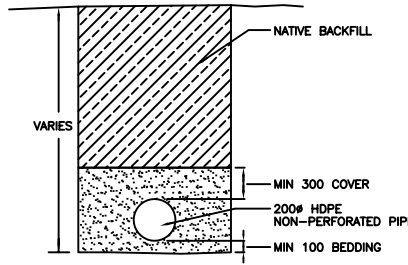
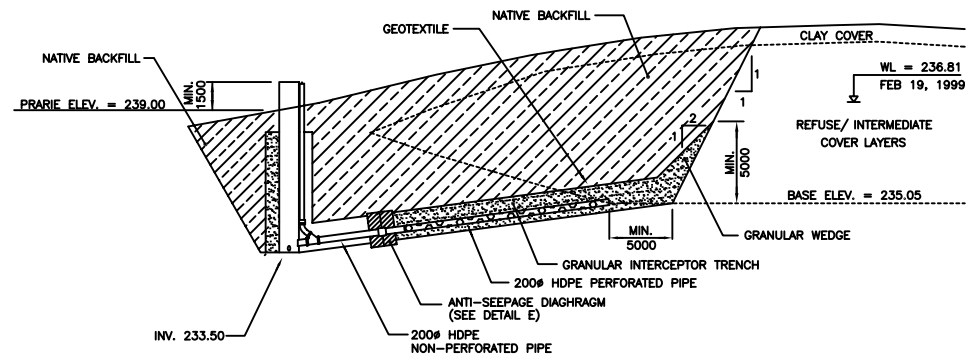


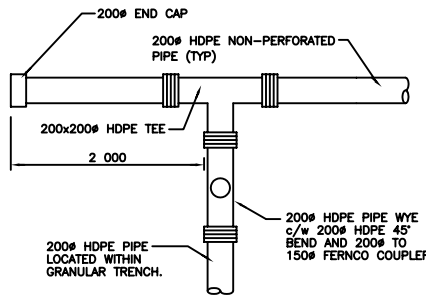
SECTION A-A  
NTS



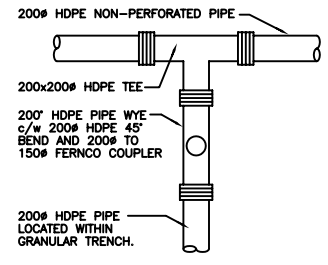
SECTION B-B



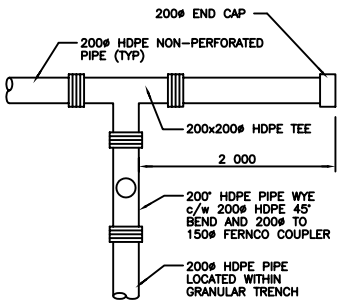
SECTION C-C



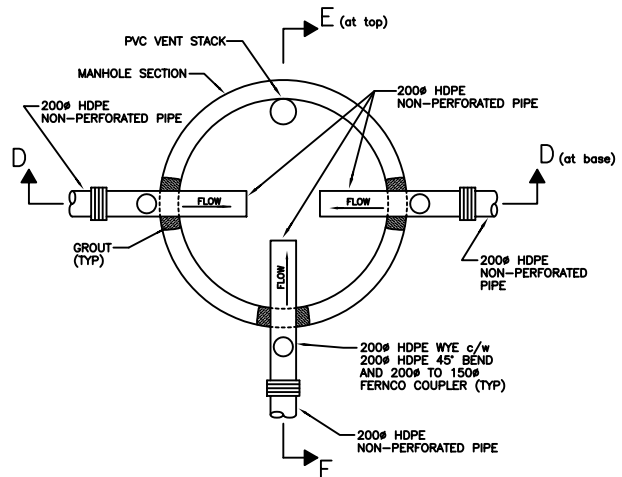
DETAIL A



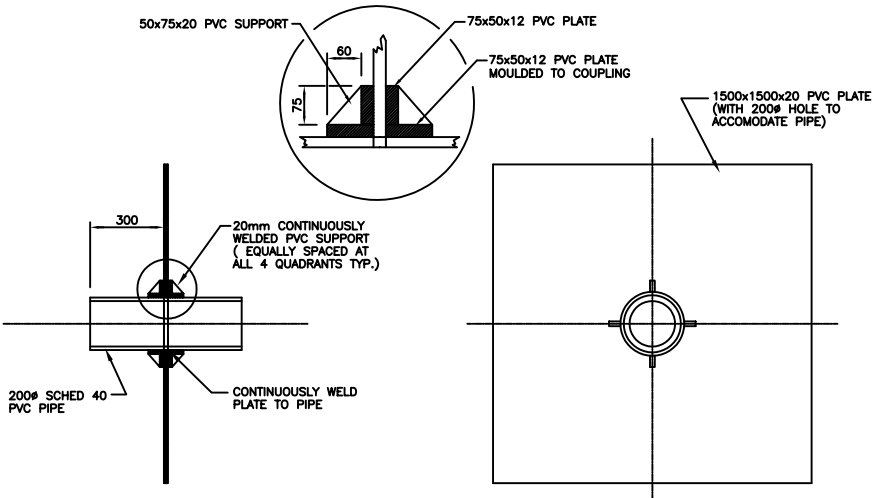
DETAIL B



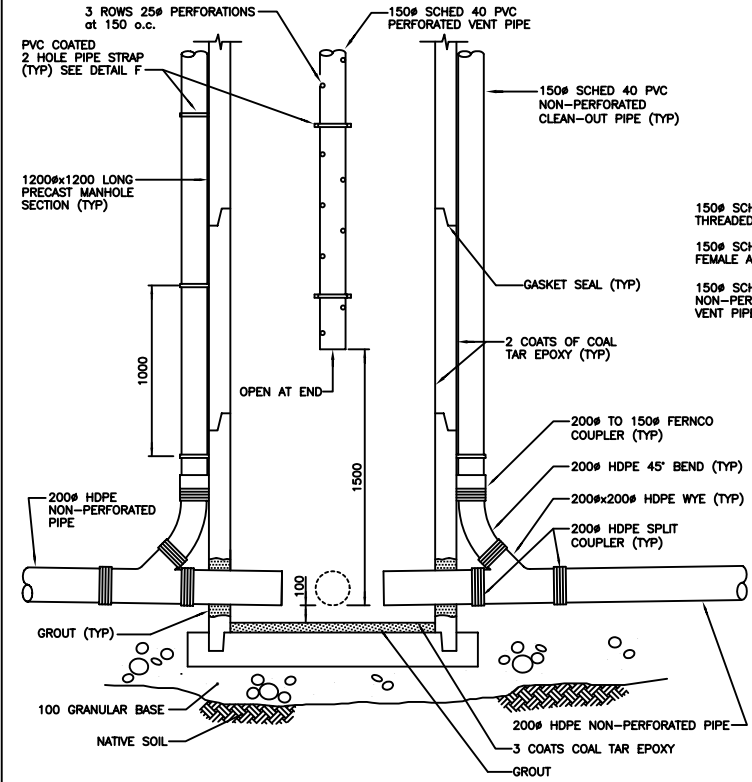
DETAIL C



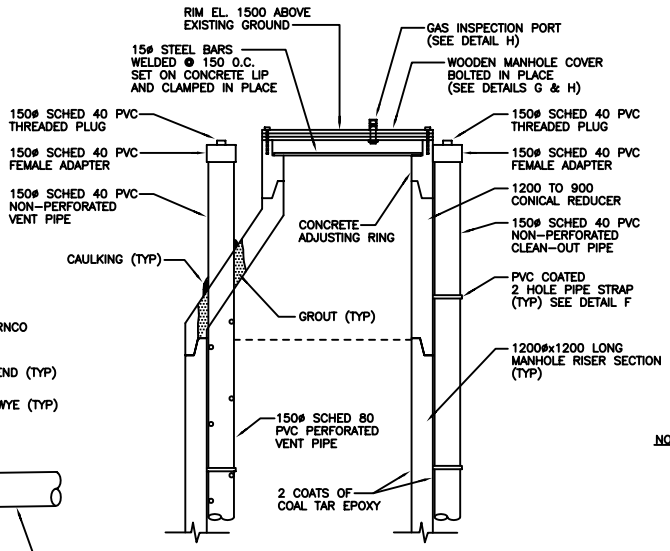
DETAIL D



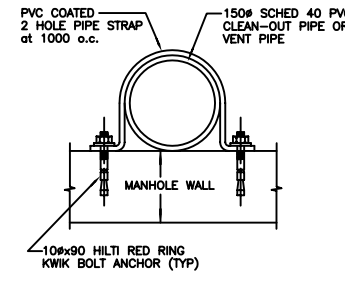
DETAIL E (ANTI-SEEPAGE DIAPHRAGM)



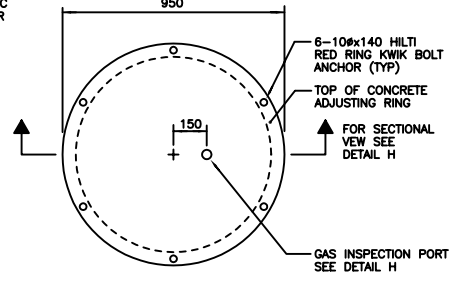
SECTION D-D



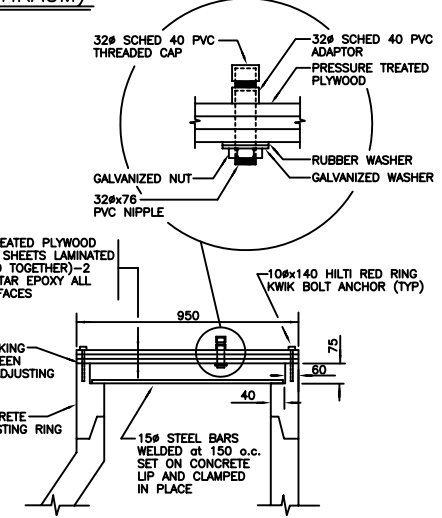
SECTION E-E



DETAIL F



DETAIL G



DETAIL H

NOTE:  
- ALL PIPING - 200# BOSS 2000 (SMOOTHWALL INTERIOR - CORRUGATED EXTERIOR) PERFORATED AND NON-PERFORATED AND SPLIT COUPLERS

AS-CONSTRUCTED  
CONTRACT ADMINISTRATION      DRAFTING & GRAPHIC SERVICES      DATE  
WATER AND WASTE DEPARTMENT

Tender No. 1281-99  
PROJECT COMPLETION : 1999 12 20

METRIC			
WHOLE NUMBERS INDICATE MILLIMETRES			
DECIMALIZED NUMBERS INDICATE METRES			
B.M. ELEV. -	-	-	-
DESIGNED BY	DGS	CHECKED BY	DGS
DRAWN BY	NC	APPROVED BY	
HOR. SCALE:	N.T.S.	RELEASED FOR CONSTRUCTION	
VERTICAL:		DATE	SEPT. 16, 1999
1.) REVISED TO AS-BUILT	2000-03	WKT	
NO. REVISIONS	DATE	BY	

**CITY OF WINNIPEG**  
**WATER AND WASTE**  
**ENGINEERING DIVISION**

ENGINEER'S SEAL  
AUTOCAD R14  
FILENAME : SWD-0347.DWG  
PLOT DATE : 2000 03 06

**THE CITY OF WINNIPEG**  
WATER AND WASTE DEPARTMENT

SUMMIT ROAD LANDFILL  
AREA 6 LEACHATE COLLECTION SYSTEM

CITY DRAWING NUMBER  
SHEET 2 OF 3

DETAILS  
REV  
SWD-D-347