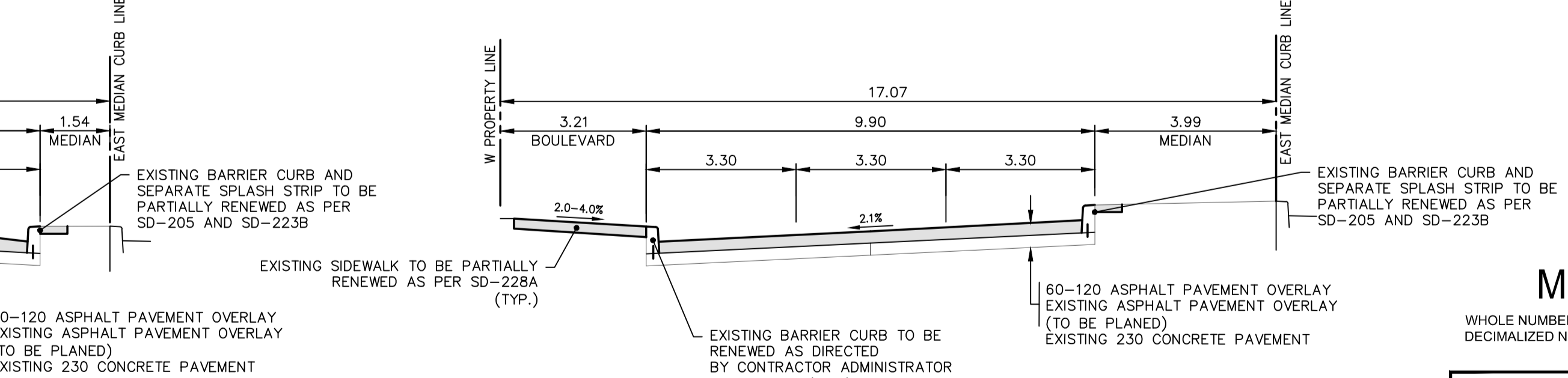
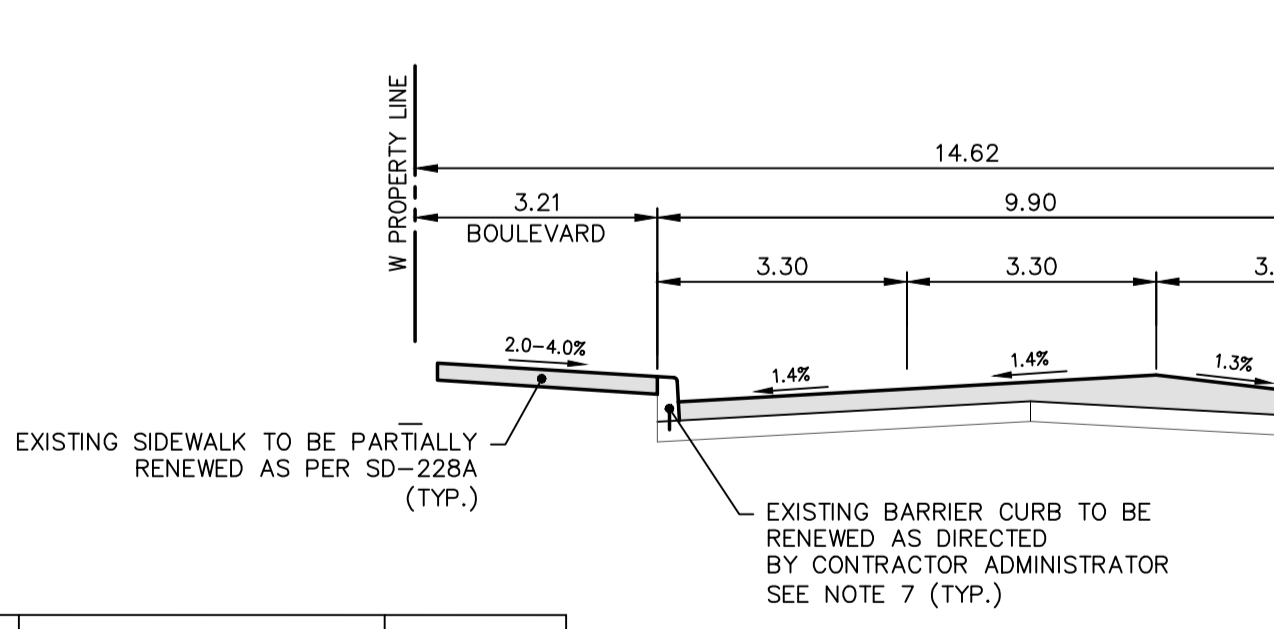


- NOTES:**
- ALL WORK AND MATERIALS TO BE IN ACCORDANCE WITH THE LATEST REVISION OF THE CITY OF WINNIPEG STANDARD CONSTRUCTION SPECIFICATIONS.
  - CONTRACTOR TO CONFIRM THE LOCATION OF ALL UTILITIES/SERVICES IN THE FIELD PRIOR TO CONSTRUCTION.
  - ALL ROADWAY DIMENSIONS SHOWN ARE TO BACK OF CURB.
  - EXISTING ASPHALT TO BE PLANNED AS SHOWN OR AS DIRECTED BY CONTRACT ADMINISTRATOR.
  - 230mm CONCRETE SLAB AND JOINT REPAIRS SHOWN ARE ONLY A REPRESENTATIVE APPROXIMATION OF THE REPAIR LOCATION AND THE TENDERED QUANTITIES.
  - FULL DEPTH SLAB REPLACEMENT IN ACCORDANCE WITH CW 3230. RENEW PAVEMENT STRUCTURE AS DIRECTED BY THE CONTRACT ADMINISTRATOR.
  - EXISTING SIDEWALK TO BE RENEWED AS PER SD-228A AND AS DIRECTED BY CONTRACT ADMINISTRATOR.
  - PLANE/REMOVE EXISTING CURB AND CONSTRUCT BARRIER CURB (100mm REVEAL) AS PER SD-206A AND AS DIRECTED BY CONTRACT ADMINISTRATOR.
  - ALL PRIVATE WALKWAYS TO BE ADJUSTED TO NEW SIDEWALK OR TOP OF CURB ELEVATION, AS DIRECTED BY THE CONTRACT ADMINISTRATOR.
  - PAVEMENT REPAIR FABRIC TO BE INSTALLED AS DIRECTED BY CONTRACT ADMINISTRATOR.
  - MODIFIED BARRIER CURB TO BE CONSTRUCTED AT ALL INTERSECTION RADII AND ALLEY RADII
  - CONTRACTORS TO TAKE PRECAUTIONARY STEPS TO PROTECT EXISTING TREES WITHIN THE LIMITS OF CONSTRUCTION FROM DAMAGE FROM CONSTRUCTION ACTIVITIES AS OUTLINED IN THE SPECIFICATIONS.
  - LAMP STANDARDS, HYDRO POLES, AND ANCHORS THAT REQUIRE TEMPORARY SUPPORT, REMOVAL OR REPLACEMENT, TO BE DONE SO AT THE EXPENSE OF THE CONTRACTOR AS NECESSARY.
  - ALL BOULEVARDS TO BE SODDED UNLESS OTHERWISE NOTED.
  - CONTRACTOR TO CONFIRM LOCATION AND LIMITS OF SEWER REPAIRS BY PERFORMING VIDEO INSPECTION AND REVIEWING WITH CONTRACT ADMINISTRATOR PRIOR TO CONSTRUCTION (IF REQ'D)



EXISTING	LEGEND-PLAN	PROPOSED	EXISTING	LEGEND-PLAN	PROPOSED	EXISTING	LEGEND-PROFILE	PROPOSED
---	WATER MAIN	---	---	IRON BAR	---	---	---	---
---	LAND DRAINAGE SEWER	---	---	HYDRO POLE & LIGHT STANDARD	---	---	---	---
---	WASTE WATER SEWER	---	---	LIGHT STANDARD OR TRAFFIC SIGNAL	---	---	---	---
---	HYDRO	---	---	HYDRO POLE	---	---	---	---
---	BELL/MTS	---	---	CURB RAMP	---	---	---	---
---	GAS	---	---	DETECTABLE WARNING SURFACE TILE	---	---	---	---
---	SIGNALS	---	---	EDGE OF SIDEWALK	---	---	---	---
○	MANHOLE	●	---	FENCE	---	---	---	---
□	CATCH BASIN	■	---	PROPERTY LINE	---	---	---	---
△	CURB INLET	▽	---	EDGE OF ASPHALT	---	---	---	---
△ □ ○	UTILITIES ADJUSTED	△ □ ○	---	EDGE OF CONCRETE	---	---	---	---
⌋	PLUG	⌋	---	MODIFIED BARRIER CURB	---	---	---	---
◇	HYDRANT	◆	---	BARRIER CURB	---	---	---	---
⊗	VALVE	⊗	---	BARRIER CURB AND GUTTER	---	---	---	---
⊙	CURB STOP	⊙	---	CONC SIDEWALK	---	---	---	---
230.99	GROUND GRADE	(231.000)	---	CONCRETE SLAB	---	---	---	---
(231.00)	PAVEMENT GRADE	(231.000)	---	ASPHALT	---	---	---	---
→	ANCHOR	→	---	MILLED SURFACE	---	---	---	---
#111	CIVIC ADDRESS		---	PAVEMENT REPAIR FABRIC	---	---	---	---
---	LEGEND-PLAN	---	---	LEGEND-PLAN	---	---	---	---

**CROSS SECTION B-B**  
NTS

**CROSS SECTION C-C**  
NTS

**FOR TENDER PURPOSES ONLY**  
**NOT FOR CONSTRUCTION**

**METRIC**  
WHOLE NUMBERS INDICATE MILLIMETRES  
DECIMALIZED NUMBERS INDICATE METRES

**ENGINEERS  
GEOSCIENTISTS  
MANITOBA**  
Certificate of Authorization  
WSP Canada Inc.  
No. 5750

NO.	REVISIONS	DATE	BY
H	ISSUED FOR TENDER	19/03/2021	K.G.
G	USGS AND UTILITIES REVIEW	24/02/2021	K.G.
F	DETAILED DESIGN REVIEW	16/02/2021	K.G.
E	PRELIMINARY DESIGN REVIEW	02/02/2021	K.G.
D			
C			
B			
A			
NO.			

SIGNED BY:	DATE:
TOP OF NUT ON FIRST HYDRANT NORTH OF MOSSDALE AVENUE ON WEST SIDE OF HENDERSON HIGHWAY 230.895	

**wsp**

WSP Canada Inc.  
Suite 111 - 93 Lombard Ave  
Winnipeg, MB R3B 3B1  
t. 204.943.3178  
f. 204.943.4948  
www.wsp.com

DESIGNED BY: EL  
CHECKED BY: KG  
DRAWN BY: EL  
APPROVED BY: VM

HOR. SCALE: 1:250  
VERTICAL: 1:10

RELEASED FOR CONSTRUCTION: --  
DATE: AUGUST 2020

**THE CITY OF WINNIPEG**  
PUBLIC WORKS DEPARTMENT  
ENGINEERING SERVICES DIVISION

**2021 HENDERSON HIGHWAY PAVEMENT REHABILITATION**  
HENDERSON HIGHWAY  
ASPHALT REHABILITATION  
STA. 2+25 TO STA. 3+35

CITY DRAWING NUMBER: P-3541-02  
SHEET: 2 OF 5  
TENDER NO.: 122-2021

CONSULTANT ACAD DWG. NO.: 19M-00985-00-202

Mar 15, 2021 12:32pm P:\2019\19M-00985-00 - 2019-2023 Muncie Area Pavement Renewals\10 Drawings\03 Working Drawings\19M-00985-00 Henderson Hwy Plan&Profile.dwg - tab:122-2021\_Drawing\_P-3541-02-RO