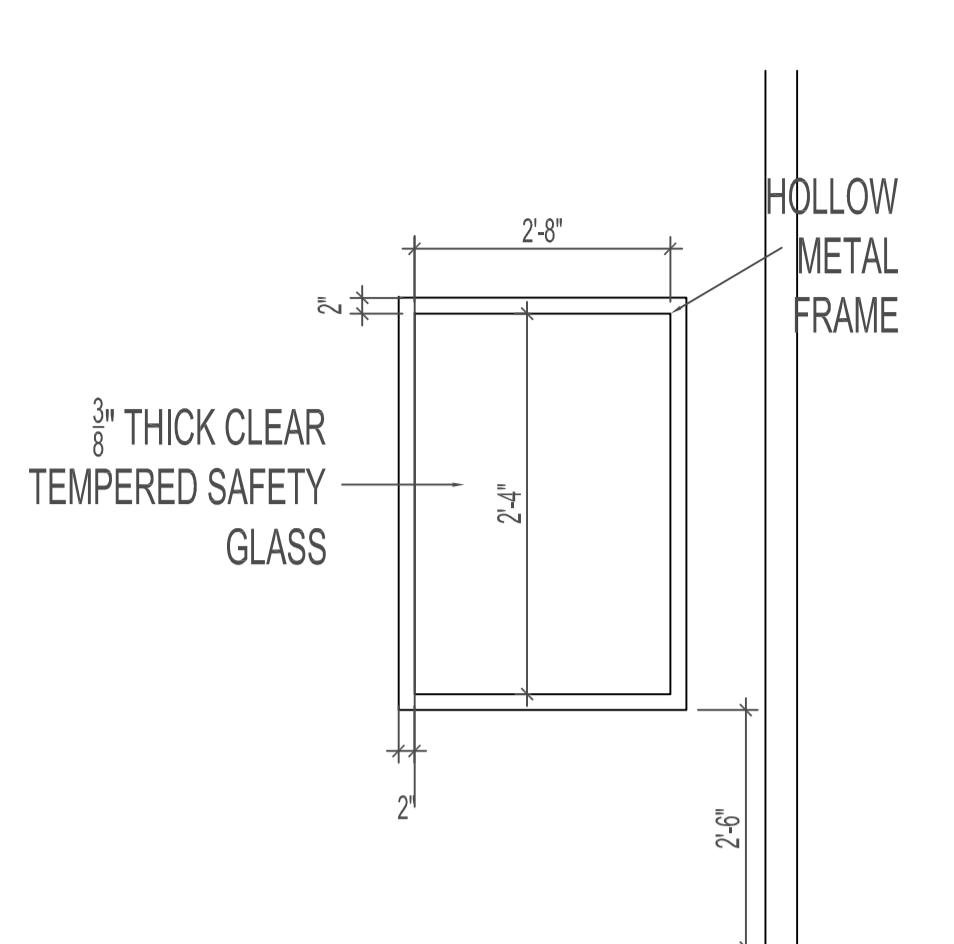
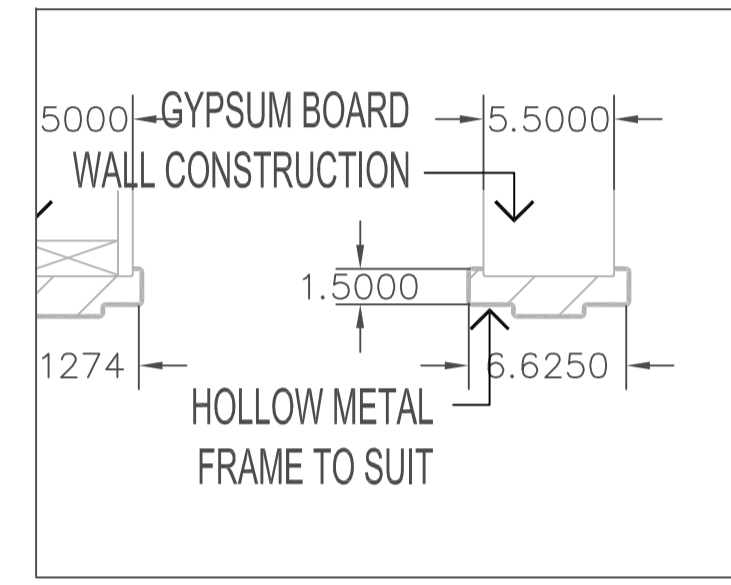


1 DOOR AND FRAME TYPES
SCALE: N.T.S.



2 LOBBY WINDOW DETAIL
SCALE: 1/2"=1'-0"



3 HOLLOW METAL FRAME DETAIL
SCALE: N.T.S.

DOOR HARDWARE SCHEDULE			APPROVED ALTERNATE
GROUP 1-			
3 HINGE; SPRING	1502 4 1/2" X4"	US26D MK	IVES 35P1
1 PASSAGE SET	7U15 LL	US26D SA	SCHLAGE "AL" SERIES
1 WALL STOP	406	US32D RO	
1 KICK PLATE	K1050 10" 36" WIDTH	US32D RO	
1 CARD READER	REFER TO ELECTRICAL		
1 ELECTRIC STRIKE	6211 FSE/TO SUIT	VD	
1 AUTO OPERATOR	7000 SERIES -BROWN CHERRY FINISH	WIKK	
2 ACTUATORS (BOTH SIDES)	1x36" LENGTH ; 1 x 2 BUTTONS	WIKK	
1 POWER SUPPLY	REFER TO ELECTRICAL		
GROUP 2-			
4 HINGE, FULL MORTISE	TA2714 41/2" X4"	US26D MK	IVES 5BB1
1 STOREROOM/CLOSET LOCK	28 72 7G04 LL	US26 SA	SCHLAGE "AL" SERIES
1 BEST CORE	SUPPLIED BY OWNER	626 BE	
1 ELECTRIC STRIKE	6211 FSE	630 VD	
1 SURFACE CLOSER	210 TPN	689 NO	FALCON SC81A
1 KICK PLATE	K1050 10" 36" WIDTH	US32D RO	
1 WALL STOP	406	US26D RO	
1 CARD READER	REFER TO ELECTRICAL		
1 REQUEST TO EXIT SENSOR	REFER TO ELECTRICAL		
1 POWER SUPPLY	REFER TO ELECTRICAL		
GROUP 3-			
4 HINGE	TA2714 NRP 41/2" X4"	US26D MK	IVES 5BB1
1 RIM EXIT DEVICE;STOREROOM	72 8804 ETL	US32D SA	VON DUPRIN XP98 / 99
1 BEST CORE	BY OWNER	626 BE	
1 ELECTRIC STRIKE	6300	630 VD	
1 AUTO OPERATOR	HORTON 4100	689 OT	
2 ACTUATOR (BOTH SIDES)	36" LENGTH	WIKK	
1 KICK PLATE	K1050 10" 36" WIDTH	US32D RO	
1 WALL STOP	406	US26D RO	
CARD READER	REFER TO ELECTRICAL		
1 POWER SUPPLY	REFER TO ELECTRICAL		
NOTES: PULL SIDE ACTUATOR TO BE NORMALLY DISABLED. SWIPING VALID CARD WILL RELEASE THE ELECTRIC STRIKE AND ENABLE THE PULL SIDE ACTUATOR, WHICH WILL POWER OPEN THE DOOR WHEN PRESSED. PRESSING THE PUSH SIDE ACTUATOR WILL ALWAYS RELEASE THE ELECTRIC STRIKE AND POWER OPEN THE DOOR.			
GROUP 4-			
4 HINGE	TA2714 NRP 41/2" X4"	US26D MK	IVES 5BB1
1 STOREROOM/CLOSET LOCK	28 72 10G04 LL	US32D SA	SCHLAGE "ND" SERIES
1 BEST CORE	BY OWNER	626 BE	
1 ELECTRIC STRIKE	6211 FSE	630 VD	
1 AUTO OPERATOR	HORTON 4100	689 OT	
2 ACTUATOR (BOTH SIDES)	36" LENGTH	WIKK	
1 KICK PLATE	K1050 10" 36" WIDTH	US32D RO	
1 WALL STOP	406	US26D RO	
CARD READER	REFER TO ELECTRICAL		
1 POWER SUPPLY	REFER TO ELECTRICAL		
NOTES: PUSH SIDE ACTUATOR TO BE NORMALLY DISABLED. SWIPING VALID CARD WILL RELEASE THE ELECTRIC STRIKE AND ENABLE THE PUSH SIDE ACTUATOR, WHICH WILL POWER OPEN THE DOOR WHEN PRESSED. PRESSING THE PULL SIDE ACTUATOR WILL ALWAYS RELEASE THE ELECTRIC STRIKE AND POWER OPEN THE DOOR.			
GROUP 5-			
1 KICK PLATE	K1050 10" 36" WIDTH	US32D RO	

DOOR SCHEDULE												
DOOR NO.	LOCATION	DOOR TYPE	DOOR				FRAME			RATING	HARDWARE GROUP	NOTES
			WIDTH	HEIGHT	THICK.	MAT'L.	FINISH	TYPE	MAT'L.			
D-100 a,b,c,d	VESTIBULE	EX	EXISTING			EX	EX	EX	AL	EX	EX	
D-101a	LOBBY	EX	EXISTING			EX	EX	EX	HM	PT	N/A	EX/ GROUP 5
D-101b	LOBBY	EX	EXISTING			EX	EX	EX	HM	PT	N/A	EX/ GROUP 5
D-102a	RECEPTION/ PERMITS	EX	EXISTING			EX	EX	EX	HM	PT	N/A	EX/ GROUP 5
D-102b	RECEPTION/ PERMITS	C	3'-4" x 3'-4" x 1 3/4"			SCW	ST	WD	WD	ST	N/A	GROUP 1
D-104	MEETING ROOM	B	3'-4" x 7'-0" x 1 3/4"			SCW	ST	1	HM	PT	N/A	GROUP 2
D-105	PARKS BOOKING OFFICE	B	3'-4" x 7'-0" x 1 3/4"			SCW	ST	1	HM	PT	N/A	GROUP 2
D-106	MEDIA AREA	A	3'-4" x 7'-0" x 1 3/4"			SCW	ST	2	HM	PT	N/A	GROUP 3
D-111	OPEN OFFICE AREA	A	3'-4" x 7'-0" x 1 3/4"			SCW	ST	2	HM	PT	N/A	GROUP 4

ABBREVIATIONS: AL- ALUMINUM EX- EXISTING HM- HOLLOW METAL PT- PAINT SCW- SOLID CORE WOOD ST - STAINED WD -WOOD
 NOTE 1: ELECTRIC STRIKE FOR CARD ACCESS TO BE VON DUPRIN MODEL 6300 VD AND 6211 FSE TO MATCH CITY OF WINNIPEG STANDARDS.
 NOTE 2: DOOR ACTUATOR REQUIRED. CITY OF WINNIPEG PREFERRED MANUFACTURER IS WIKK
 NOTE 3: CARD ACCESS SWIPE TO BE MOUNTED ON 3.5" WIDE DOOR FRAME. PROVIDE APPROPRIATE CUT OUT IN DOOR FRAME FOR WIRING. SITE CONFIRM.
 NOTE 4: CARD ACCESS SWIPE TO BE MOUNTED ON WALL AND TO CONFORM TO CITY OF WINNIPEG ACCESSIBILITY DESIGN STANDARDS.

NOTES:
 THESE DRAWINGS SHALL NOT BE SCALED.
 THE CONTRACTOR SHALL VISIT THE SITE AND SATISFY ONESELF ALL DIMENSIONS, DATUM, AND DETAILED INFORMATION SHOWN ARE CORRECT.
 THE CONTRACTOR IS TO REVIEW AND COORDINATE ALL ARCHITECTURAL, MECHANICAL, ELECTRICAL, AND STRUCTURAL DRAWINGS FOR ADDITIONAL OPENINGS THROUGH FLOORS, WALLS, AND CEILINGS FOR DUCT, PIPE & ELECTRICAL RISERS AND ALL OPENINGS NOT SHOWN ON DRAWINGS.
 ALL OPENINGS THROUGH FIRE ASSEMBLIES ARE TO BE FIRE STOPPED AND SEALED WITH ULC APPROVED FIRE STOPPING TO MAINTAIN THE INTEGRITY OF THE FIRE SEPARATION, AND PROVIDE A SMOKE-TIGHT BARRIER.
 ALL PRODUCTS AND MATERIALS TO BE USED AND INSTALLED SHALL CONFORM WITH MANUFACTURER'S SPECIFICATIONS & APPLICABLE CODES.
 THE CONTRACTOR SHALL BE RESPONSIBLE TO PATCH AND MAKE GOOD ALL EXISTING CONSTRUCTION AFFECTED BY THE REMOVAL OF ALL ITEMS FORMING THE PART OF THE RENOVATION WORK.
 WHERE NEW FLOORING AND BASE IS TO BE INSTALLED IN EXISTING AREAS (REFER TO FLOOR PLAN AND ROOM SCHEDULE) THE EXISTING FLOORING SURFACE AND BASE MUST BE REMOVED, UNLESS OTHERWISE NOTED. ALL FLOOR SURFACES SHALL BE PREPARED IN ACCORDANCE TO MANUFACTURER'S RECOMMENDATIONS FOR INSTALLATION OF NEW FLOOR.
 WHERE PAINTING OF EXISTING WALLS IS INDICATED ON THE ROOM SCHEDULE, THESE WALLS MUST BE CLEANED OF ANY EXISTING WALL COVERING, PATCHED & PREPARED TO ACCEPT NEW MATERIAL, UNLESS OTHERWISE NOTED.

3	ADDENDUM # 5	MAR. 29/2021
2	ADDENDUM # 2	MAR. 22/2021
1	ISSUED FOR CONSTRUCTION	MAR. 01/2021

No.	REVISION/DESCRIPTION	BY	DATE

SEAL

DRAWN	CHECKED	DESIGNED	APPROVED
KJN	KJN	KJN	KJN
DATE: 2021.03.01	USER APPROVAL		

THE CITY OF WINNIPEG
 PLANNING, PROPERTY AND DEVELOPMENT DEPARTMENT
 MUNICIPAL ACCOMMODATIONS DIVISION
 3-65 GARRY STREET, R3C 4K4

PROJECT
**PUBLIC WORKS DEPARTMENT
 SECURITY AND ACCESSIBILITY UPGRADES**

1155 PACIFIC AVENUE, WINNIPEG, MB. TENDER # 138-2021

SHEET TITLE
DOOR AND HARDWARE SCHEDULES