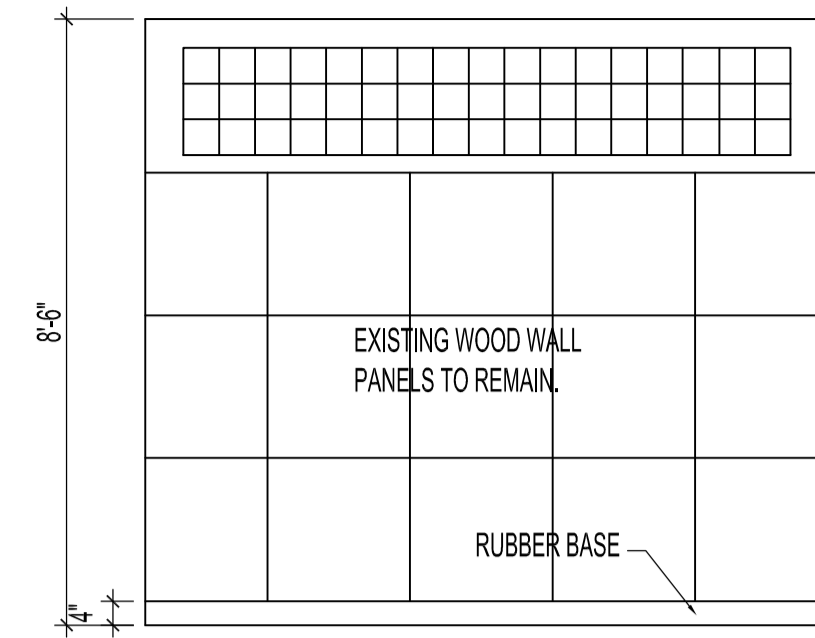


FINISH NOTES

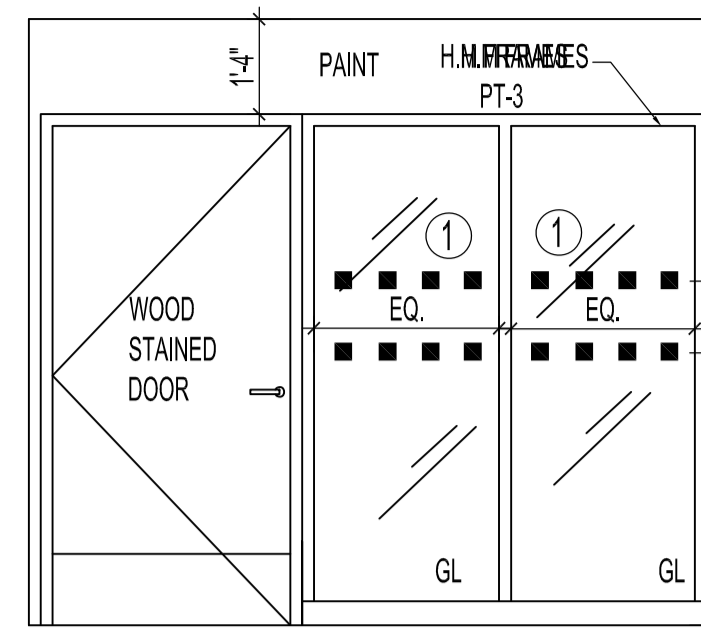
- ① VINYL GLASS DECALS TO BE "CITY OF WINNIPEG" BLUE COLOR AND 2" X2" IN SIZE; INSTALLED ON GLAZING IN TWO ROWS AS DRAWN. REFER TO CITY OF WINNIPEG ACCESSIBILITY STANDARDS SECTION: 3.1.4. CONFIRM COLOR WITH CONTRACT ADMINISTRATOR/ CITY OF WINNIPEG.
- ② WALL MOUNTED CARD ACCESS READERS TO BE INSTALLED AT HEIGHTS AS PER THE CITY OF WINNIPEG ACCESSIBILITY STANDARDS; SECTION 3.5.1 CONTROLS
- ③ ALL NEW DOORS WITH GLAZING INSERTS TO HAVE SECURITY GLASS.
- ④ DOOR MULLION MOUNTED CARD ACCESS READERS TO BE INSTALLED AT HEIGHTS AS PER THE CITY OF WINNIPEG ACCESSIBILITY STANDARDS; SECTION 3.5.1 CONTROLS
- ⑤ DOOR ACTUATORS TO BE INSTALLED AT HEIGHTS AS PER THE CITY OF WINNIPEG ACCESSIBILITY STANDARDS; SECTION 3.5.1 CONTROLS

NOTES:

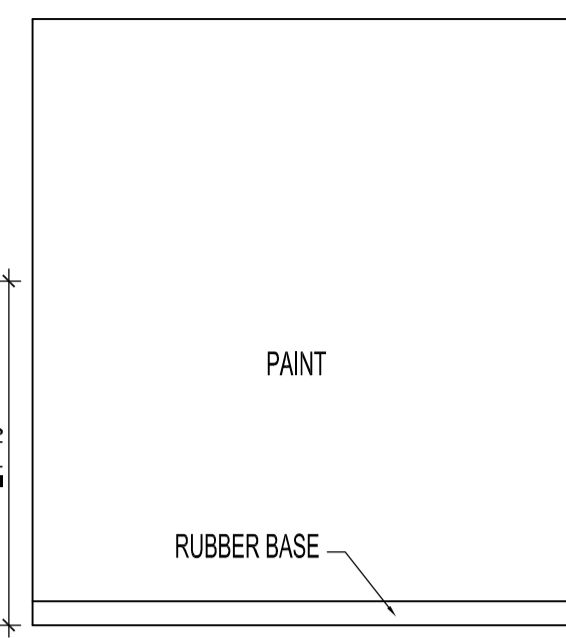
THESE DRAWINGS SHALL NOT BE SCALED.
 THE CONTRACTOR SHALL VISIT THE SITE AND SATISFY ONESELF ALL DIMENSIONS, DATUM, AND DETAILED INFORMATION SHOWN ARE CORRECT.
 THE CONTRACTOR IS TO REVIEW AND COORDINATE ALL ARCHITECTURAL, MECHANICAL, ELECTRICAL, AND STRUCTURAL DRAWINGS FOR ADDITIONAL OPENINGS THROUGH FLOORS, WALLS, AND CEILINGS FOR DUCT, PIPE & ELECTRICAL RISERS AND ALL OPENINGS NOT SHOWN ON DRAWINGS.
 ALL OPENINGS THROUGH FIRE ASSEMBLIES ARE TO BE FIRE STOPPED AND SEALED WITH ULC APPROVED FIRE STOPPING TO MAINTAIN THE INTEGRITY OF THE FIRE SEPARATION, AND PROVIDE A SMOKE-TIGHT BARRIER.
 ALL PRODUCTS AND MATERIALS TO BE USED AND INSTALLED SHALL CONFORM WITH MANUFACTURER'S SPECIFICATIONS & APPLICABLE CODES.
 THE CONTRACTOR SHALL BE RESPONSIBLE TO PATCH AND MAKE GOOD ALL EXISTING CONSTRUCTION AFFECTED BY THE REMOVAL OF ALL ITEMS FORMING THE PART OF THE RENOVATION WORK.
 WHERE NEW FLOORING AND BASE IS TO BE INSTALLED IN EXISTING AREAS (REFER TO FLOOR PLAN AND ROOM SCHEDULE) THE EXISTING FLOORING SURFACE AND BASE MUST BE REMOVED, UNLESS OTHERWISE NOTED. ALL FLOOR SURFACES SHALL BE PREPARED IN ACCORDANCE TO MANUFACTURER'S RECOMMENDATIONS FOR INSTALLATION OF NEW FLOOR.
 WHERE PAINTING OF EXISTING WALLS IS INDICATED ON THE ROOM SCHEDULE, THESE WALLS MUST BE CLEANED OF ANY EXISTING WALL COVERING, PATCHED & PREPARED TO ACCEPT NEW MATERIAL, UNLESS OTHERWISE NOTED.



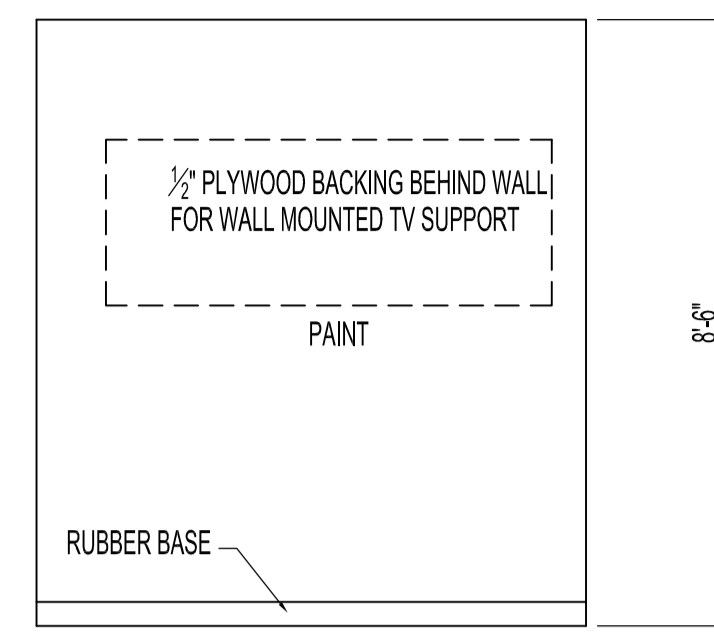
1 MEETING ROOM
A2.0 SCALE: 3/8"=1'-0"



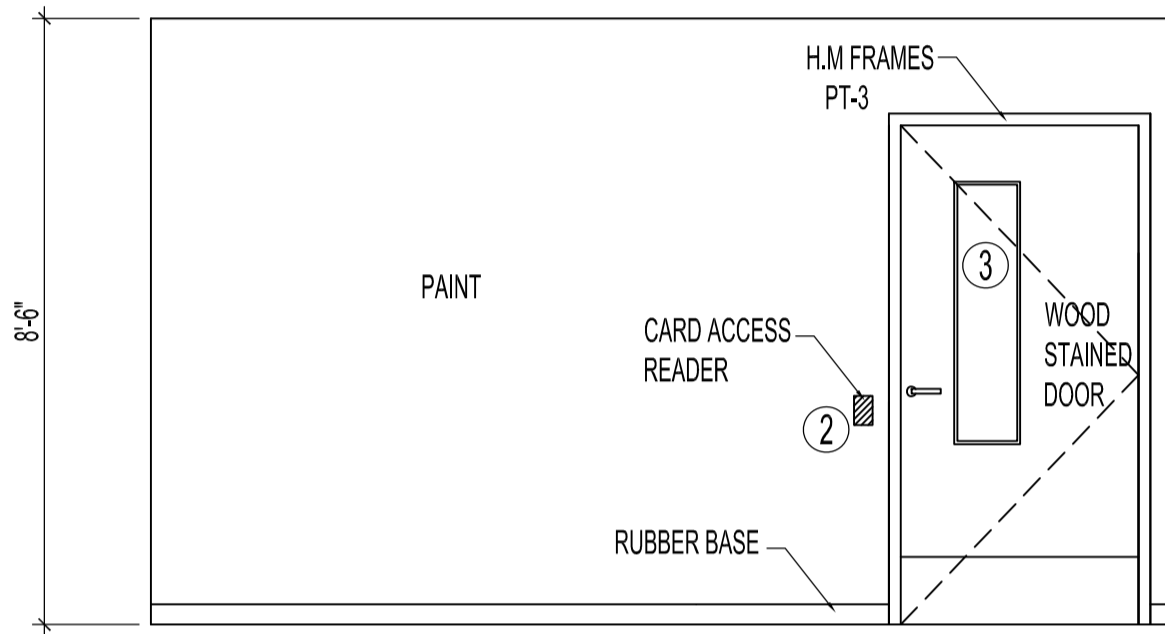
2 MEETING ROOM
A2.0 SCALE: 3/8"=1'-0"



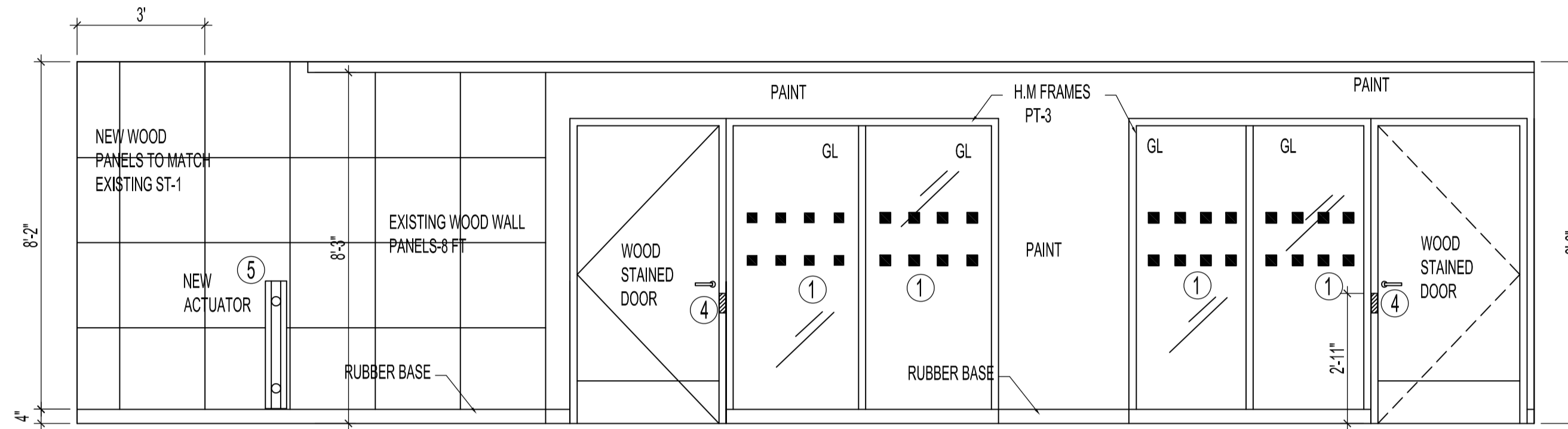
3 MEETING ROOM
A2.0 SCALE: 3/8"=1'-0"



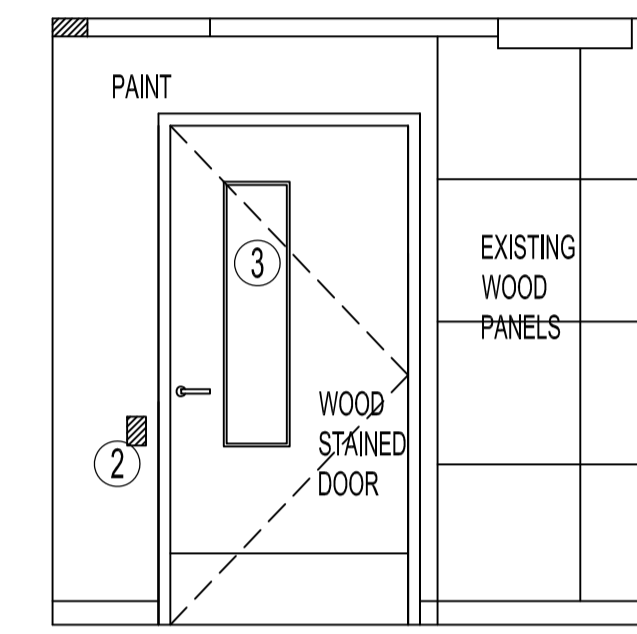
4 MEETING ROOM
A2.0 SCALE: 3/8"=1'-0"



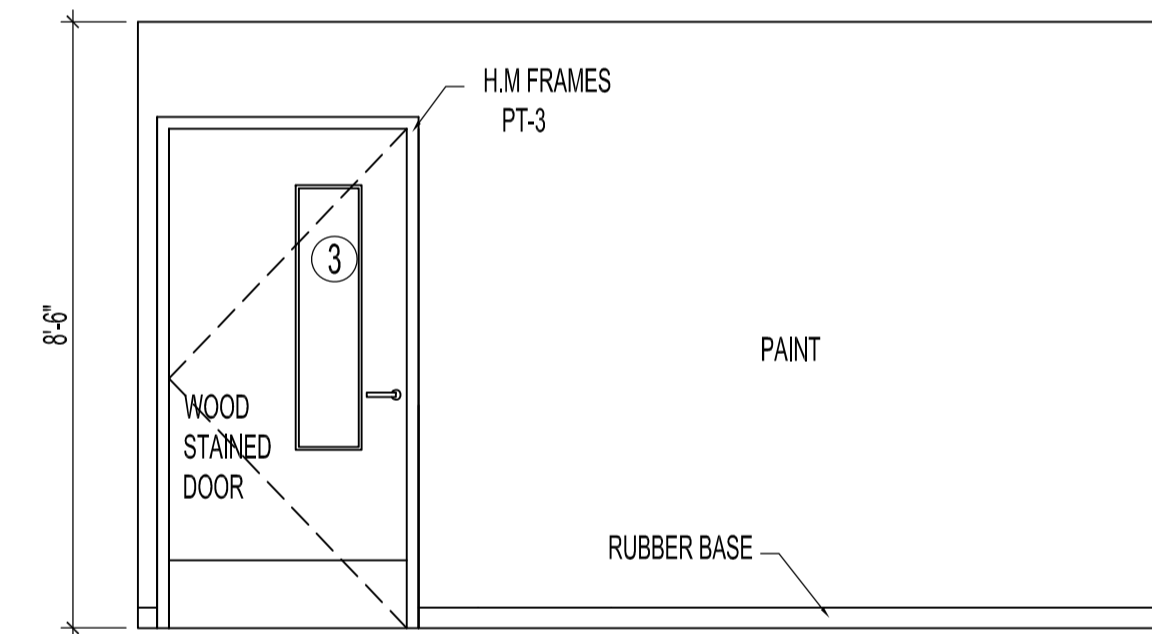
5 MEDIA AREA
A2.0 SCALE: 3/8"=1'-0"



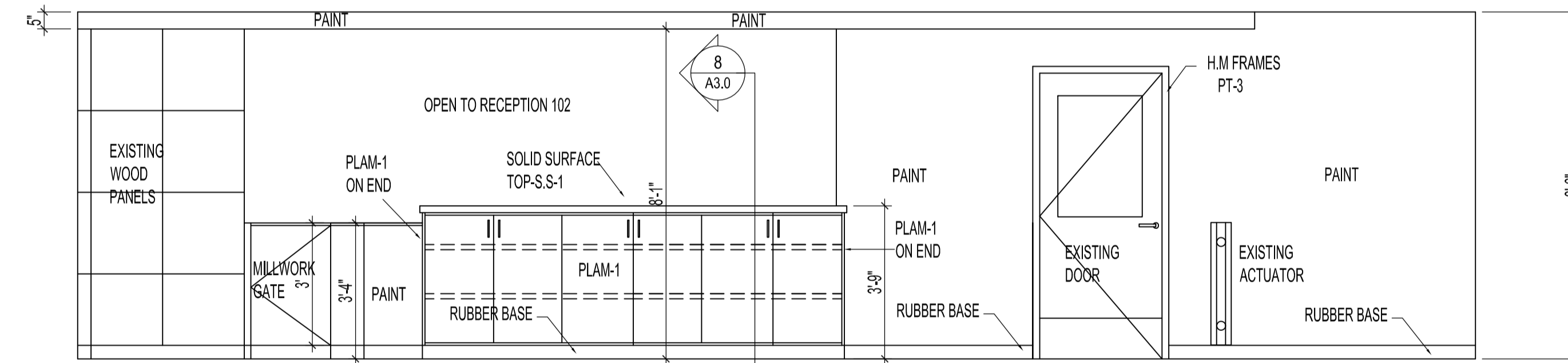
6 MEDIA AREA/ CORRIDOR
A2.0 SCALE: 3/8"=1'-0"



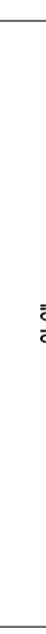
7 CORRIDOR
A1.5 SCALE: 3/8"=1'-0"



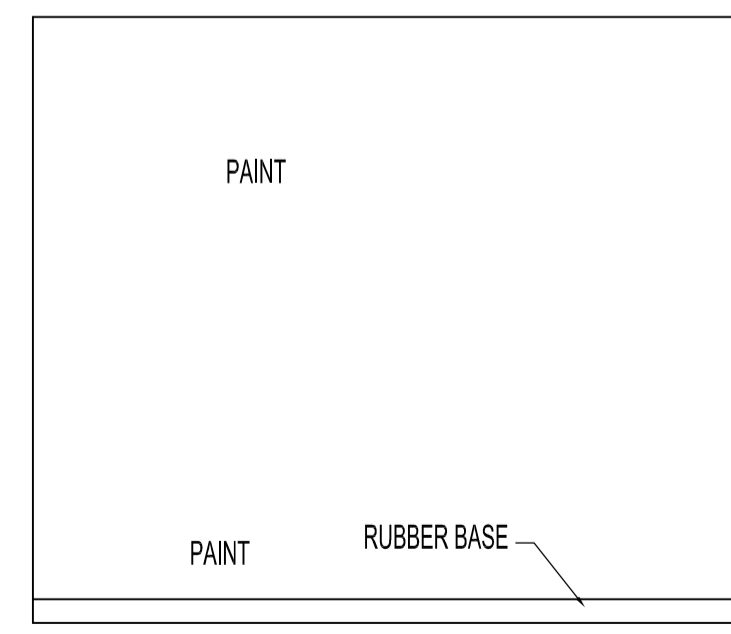
8 OPEN OFFICE AREA
A2.0 SCALE: 3/8"=1'-0"



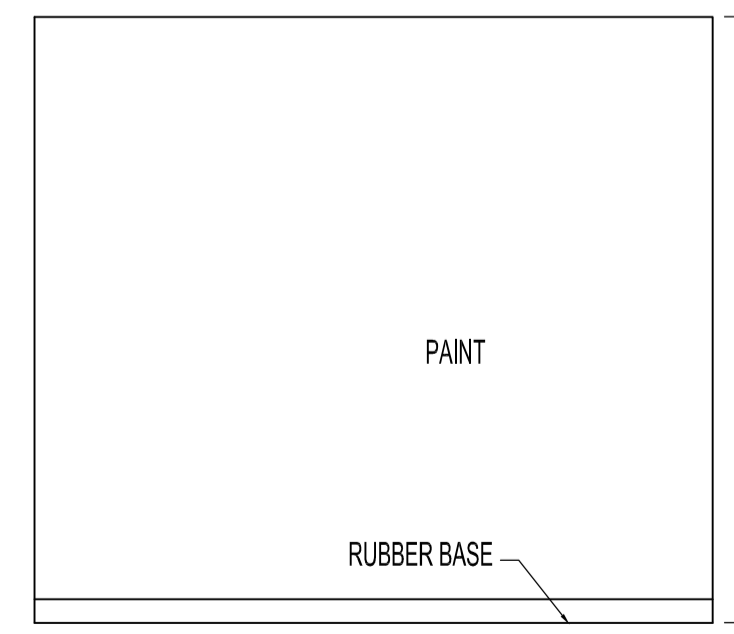
9 CORRIDOR
A2.0 SCALE: 3/8"=1'-0"



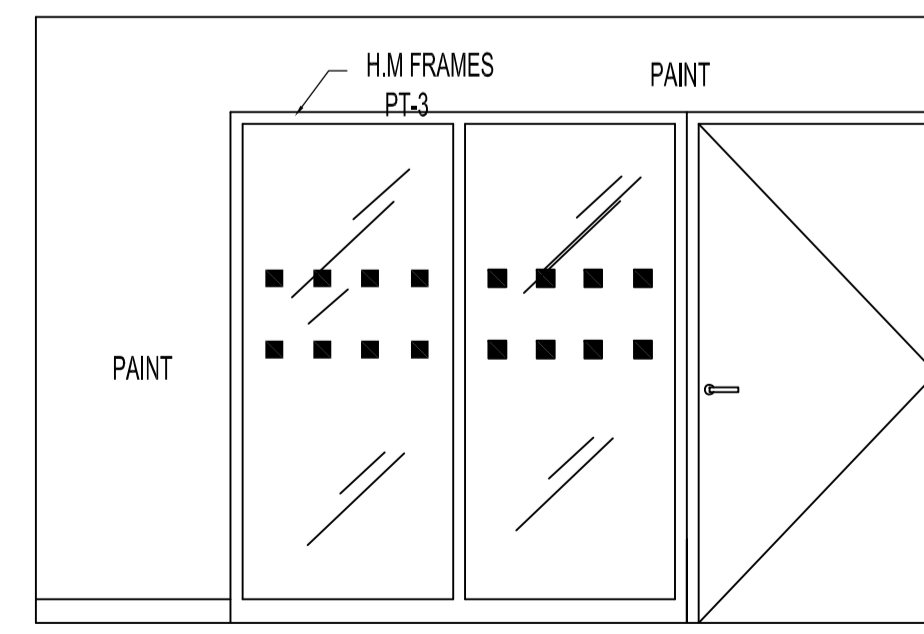
10 PARKS OFFICE
A2.0 SCALE: 3/8"=1'-0"



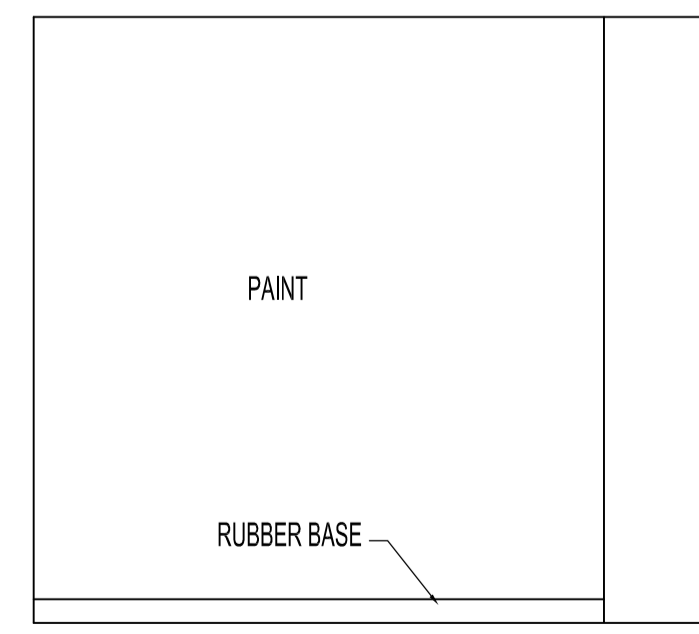
11 PARKS OFFICE
A2.0 SCALE: 3/8"=1'-0"



12 PARKS OFFICE
A1.5 SCALE: 3/8"=1'-0"



13 PARKS OFFICE
A1.5 SCALE: 3/8"=1'-0"



14 MEDIA AREA
A1.5 SCALE: 3/8"=1'-0"

ORIGINAL STAMPED BY: FIRST LAST, XXXX
 DATE: YEAR.MM.DD

1		
0	ISSUED FOR CONSTRUCTION	MAR. 01/2021
No.	REVISION/DESCRIPTION	BY DATE

DRAWN	CHECKED	DESIGNED	APPROVED
DATE	USER	APPROVAL	

THE CITY OF WINNIPEG
 PLANNING, PROPERTY AND
 DEVELOPMENT DEPARTMENT
 MUNICIPAL ACCOMMODATIONS DIVISION
 3-65 GARRY STREET, R3C 4K4

PROJECT
 PUBLIC WORKS DEPARTMENT
 SECURITY AND ACCESSIBILITY UPGRADES

1155 PACIFIC AVENUE, WINNIPEG, MB. TENDER # 139-2021

SHEET TITLE
 INTERIOR ELEVATIONS

SCALE	PROJECT No:	SHEET No:
3/8"=1'-0"	2019-032	A2.0