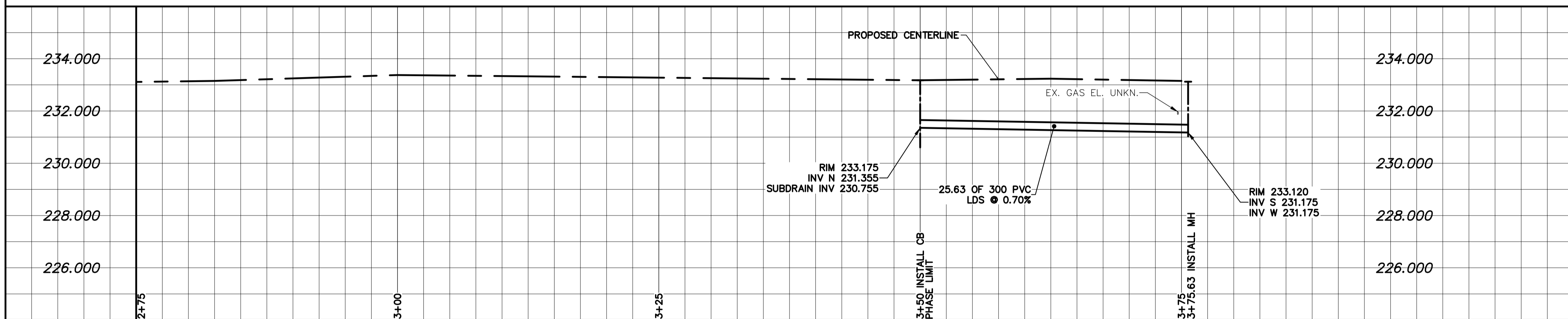
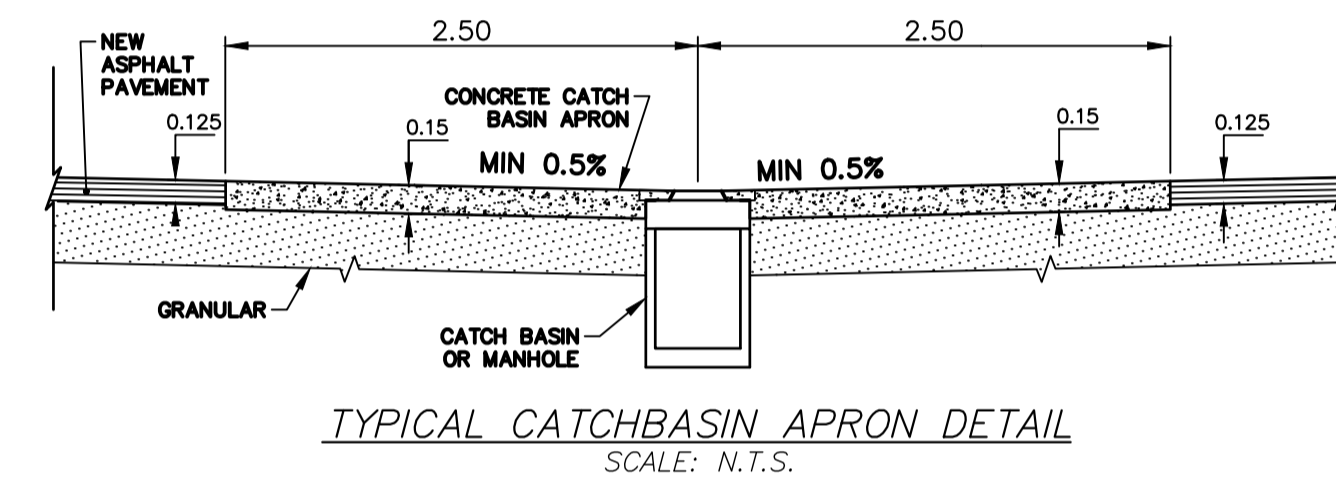


ALLEY PAVEMENT PROFILE
SCALE: 1:250 HOR
1:10 VER

- NOTES:**
1. ALL WORK AND MATERIALS TO BE IN ACCORDANCE WITH THE LATEST REVISION OF THE CITY OF WINNIPEG STANDARD CONSTRUCTION SPECIFICATION.
 2. CONTRACTOR TO CONFIRM THE LOCATION OF ALL UTILITIES/SERVICES IN THE FIELD PRIOR TO CONSTRUCTION.
 3. CONTRACTOR TO AVOID DAMAGE TO EXISTING TREES WITHIN THE LIMITS OF THE ALLEY RIGHT OF WAY AS OUTLINED IN THE BID OPPORTUNITY.
 4. HYDRO POLES AND ANCHORS REQUIRING TEMPORARY SUPPORT TO BE DONE AT THE EXPENSE OF THE CONTRACTOR AS REQUIRED.
 5. WHERE UNSTABLE SUB-GRADES ARE ENCOUNTERED, ADDITIONAL EXCAVATION/SUB-BASE AND INSTALLATION OF GEGRID TO BE DETERMINED BY THE CONTRACT ADMINISTRATOR AND CONSTRUCTED IN ACCORDANCE W/ CW-3110.
 6. PROPOSED ELEVATIONS GIVEN ARE FOR EDGE OF PAVEMENT.
 7. ISOLATE EXISTING HYDRO POLES AS PER SD-228C.
 8. RENEW CURB AND SIDEWALK AS DIRECTED BY THE CONTRACT ADMINISTRATOR.
 9. MODIFIED BARRIER CURB TO BE CONSTRUCTED AT ALL BACK LANE RADII.
 10. ALL EXISTING PRIVATE APPROACHES TO BE RENEWED AS DIRECTED BY THE CONTRACT ADMINISTRATOR.
 11. ADJUSTMENTS TO PROPOSED CROSSFALL, WHERE REQUIRED, ARE TO BE DETERMINED BY THE CONTRACT ADMINISTRATOR TO SUIT EXISTING DRIVEWAYS, APPROACHES, ETC.
 12. ALL BOULEVARD RESTORATION TO BE SODDED UNLESS OTHERWISE NOTED.
 13. INSTALLATION OF LIP CURBS AND THEIR LIMITS THROUGH PRIVATE APPROACHES TO BE DETERMINED BY THE CONTRACT ADMINISTRATOR.
 14. REMOVE, ADJUST, AND SUPPLY PRECAST SIDEWALK BLOCKS AS DIRECTED BY THE CONTRACT ADMINISTRATOR.

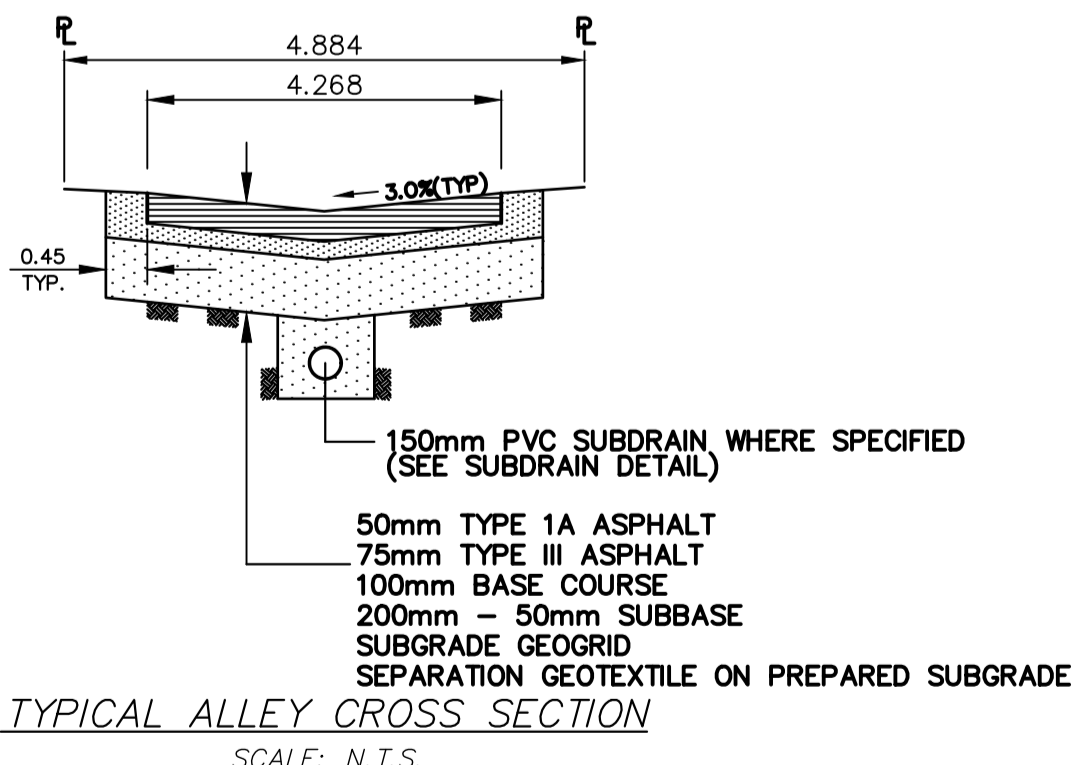
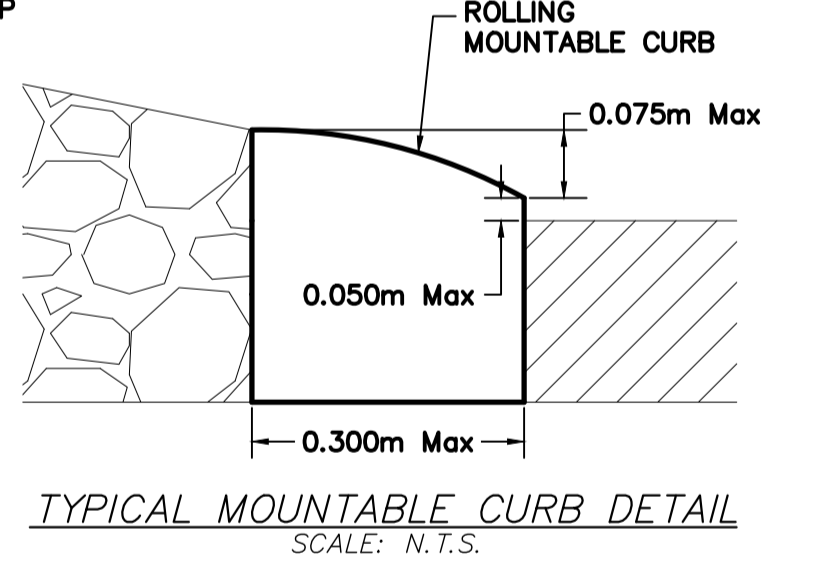
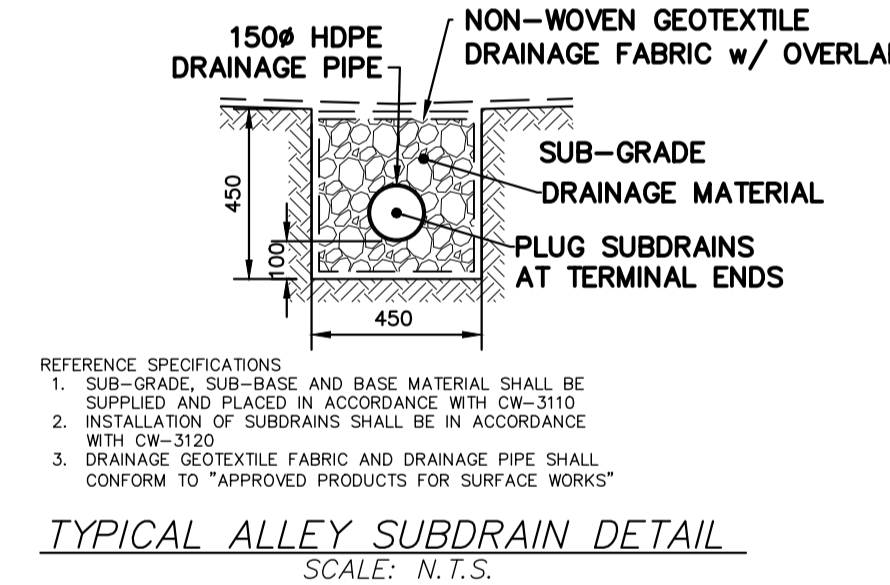
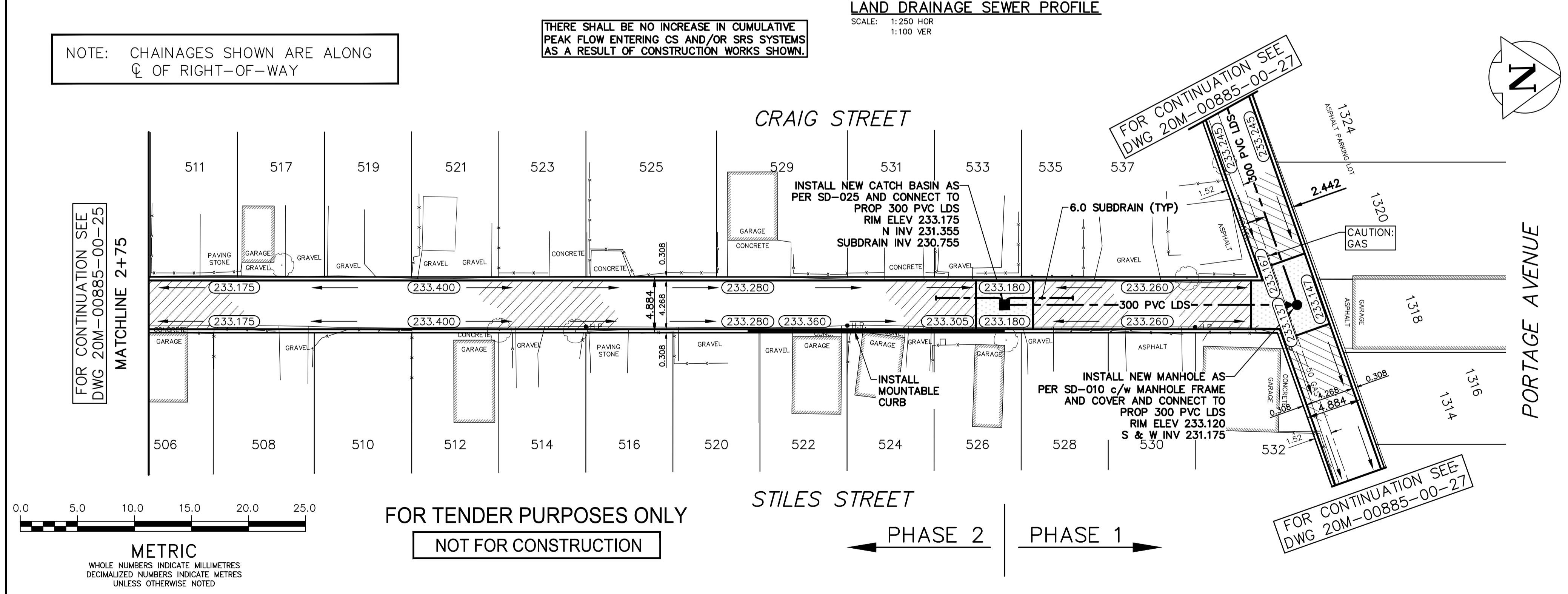


LAND DRAINAGE SEWER PROFILE
SCALE: 1:250 HOR
1:100 VER



NOTE: CHAINAGES SHOWN ARE ALONG CL OF RIGHT-OF-WAY

THERE SHALL BE NO INCREASE IN CUMULATIVE PEAK FLOW ENTERING CS AND/OR SRS SYSTEMS AS A RESULT OF CONSTRUCTION WORKS SHOWN.



ENGINEERS
GEOSCIENTISTS
MANITOBA
Certificate of Authorization
WSP Canada Inc.
No. 5750

WATERMAIN		M.T.S.		150 MM		WATERMAIN		150 MM	
HYDRANT	CONCRETE/ASPHALT	CONCRETE/ASPHALT	CONCRETE/ASPHALT	VALVE	VALVE	VALVE	VALVE	VALVE	VALVE
VALVE	SIDEWALK	SIDEWALK	SIDEWALK	LAND DRAINAGE SEWER	LAND DRAINAGE SEWER	LAND DRAINAGE SEWER	LAND DRAINAGE SEWER	LAND DRAINAGE SEWER	LAND DRAINAGE SEWER
CURB STOP	CURB RAMP	CURB RAMP	CURB RAMP	WASTE WATER SEWER	WASTE WATER SEWER	WASTE WATER SEWER	WASTE WATER SEWER	WASTE WATER SEWER	WASTE WATER SEWER
LAND DRAINAGE SEWER	ELEVATIONS	ELEVATIONS	ELEVATIONS	CENTERLINE	CENTERLINE	CENTERLINE	CENTERLINE	CENTERLINE	CENTERLINE
WASTE WATER SEWER	PROPERTY LINE	PROPERTY LINE	PROPERTY LINE	SOUTH & EAST GUTTER	SOUTH & EAST GUTTER	SOUTH & EAST GUTTER	SOUTH & EAST GUTTER	SOUTH & EAST GUTTER	SOUTH & EAST GUTTER
CB LEAD	SURVEY BAR	SURVEY BAR	SURVEY BAR	NORTH & WEST GUTTER	NORTH & WEST GUTTER	NORTH & WEST GUTTER	NORTH & WEST GUTTER	NORTH & WEST GUTTER	NORTH & WEST GUTTER
MANHOLE	HYDRO POLE	HYDRO POLE	HYDRO POLE	S & E GARAGE PAD	S & E GARAGE PAD	S & E GARAGE PAD	S & E GARAGE PAD	S & E GARAGE PAD	S & E GARAGE PAD
CATCH BASIN	STREET LIGHT	STREET LIGHT	STREET LIGHT	N & W GARAGE PAD	N & W GARAGE PAD	N & W GARAGE PAD	N & W GARAGE PAD	N & W GARAGE PAD	N & W GARAGE PAD
GAS	JOINTS	JOINTS	JOINTS						
HYDRO	ASPHALT REPAIR	ASPHALT REPAIR	ASPHALT REPAIR						
EXISTING	LEGEND - PLAN	PROPOSED	EXISTING	LEGEND - PLAN	PROPOSED	EXISTING	LEGEND - PROFILE	PROPOSED	EXISTING

LOCATION APPROVED UNDERGROUND STRUCTURES

SUPV. U/G STRUCTURES DATE COMMITTEE

NOTE:
LOCATION OF UNDERGROUND STRUCTURES AS SHOWN ARE BASED ON THE BEST INFORMATION AVAILABLE BUT NO GUARANTEE IS GIVEN THAT ALL EXISTING UTILITIES ARE SHOWN OR THAT THE GIVEN LOCATIONS ARE EXACT. CONFIRMATION OF EXISTENCE AND EXACT LOCATION OF ALL SERVICES MUST BE OBTAINED FROM THE INDIVIDUAL UTILITIES BEFORE PROCEEDING WITH CONSTRUCTION.

NO.	REVISIONS	DATE	BY
3	ISSUED FOR TENDER	04/02/21	A.B.
2	WSP INTERNAL REVIEW	11/01/21	A.B.
1	PRELIMINARY DESIGN REVIEW	11/12/20	D.R.
NO			

wsp

DESIGNED BY: A.B. CHECKED BY: S.M.
DRAWN BY: D.R. APPROVED BY: S.M.

HOR. SCALE: 1:250
VERT. SCALE: AS SHOWN

RELEASED FOR CONSTRUCTION

CONSULTANT DRAWING NO. 20M-00885-00-26

DATE: DECEMBER 2020

NOT FOR CONSTRUCTION

THE CITY OF WINNIPEG
PUBLIC WORKS DEPARTMENT

2021 ALLEY RENEWALS
CRAIG ST / STILES ST ALLEY
FROM STA 2+75 TO PORTAGE AVE

ASPHALT PAVEMENT

CITY DRAWING NO. LD-
SHEET 4 OF 4
BID OPPORTUNITY 17-2021