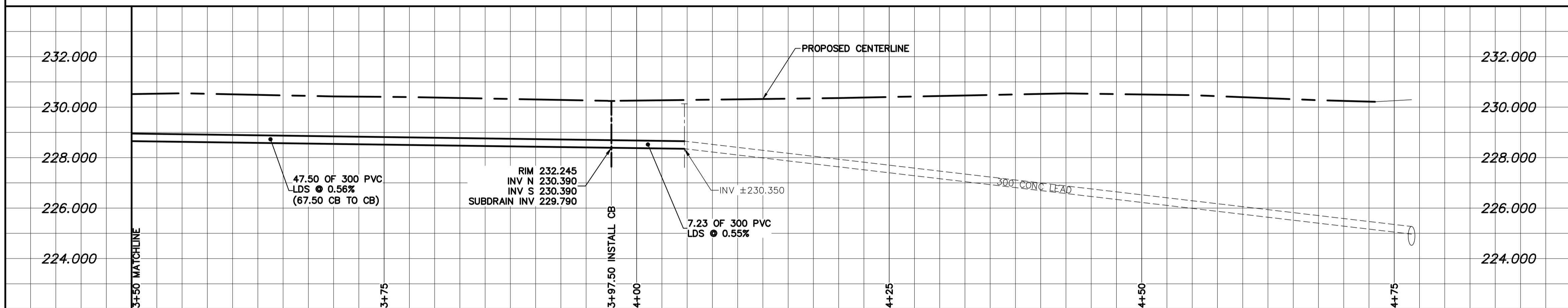


ALLEY PAVEMENT PROFILE

SCALE: 1:250 HOR  
1:100 VER

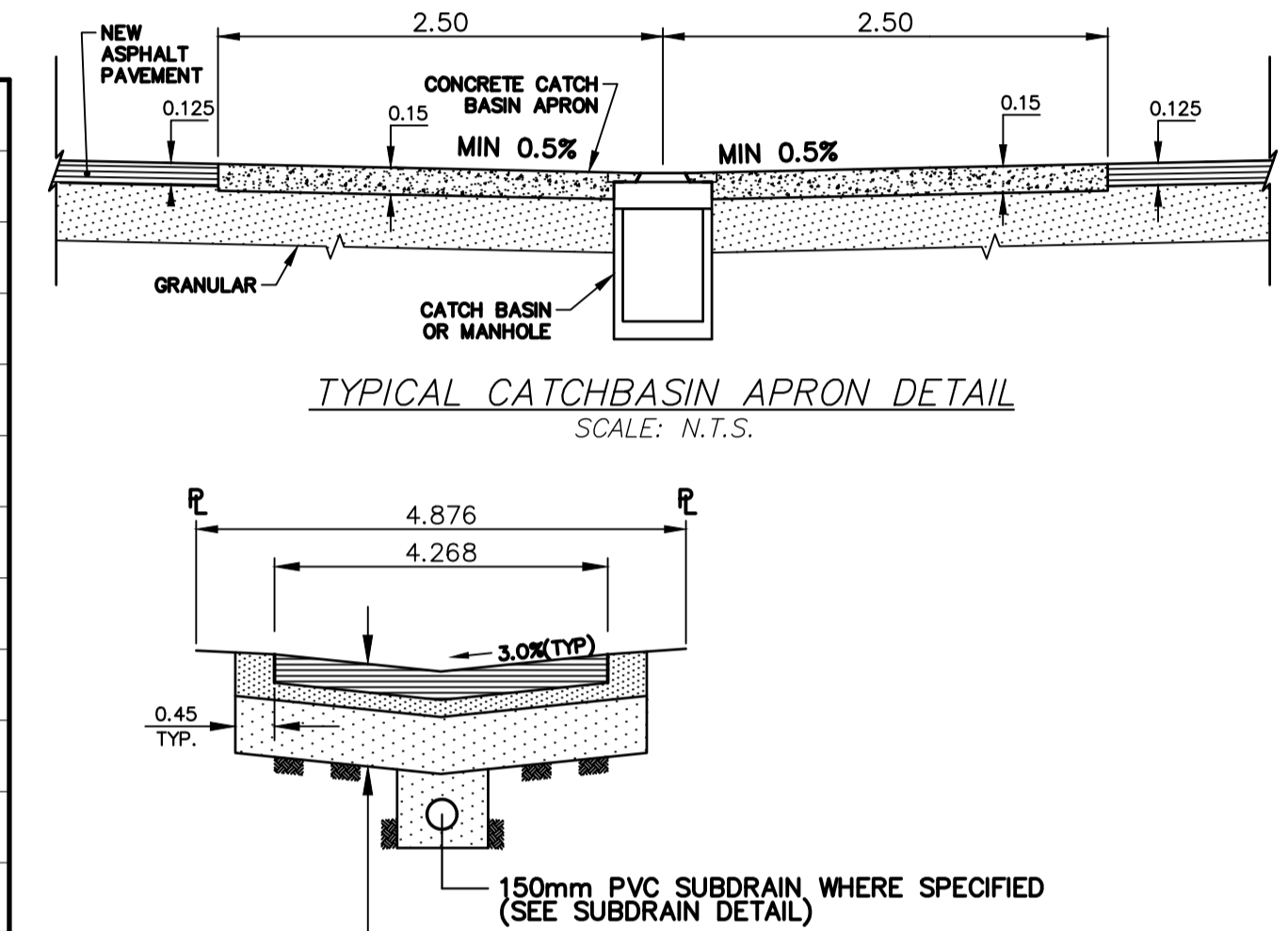
- NOTES:
1. ALL WORK AND MATERIALS TO BE IN ACCORDANCE WITH THE LATEST REVISION OF THE CITY OF WINNIPEG STANDARD CONSTRUCTION SPECIFICATION.
  2. CONTRACTOR TO CONFIRM THE LOCATION OF ALL UTILITIES/SERVICES IN THE FIELD PRIOR TO CONSTRUCTION.
  3. CONTRACTOR TO AVOID DAMAGE TO EXISTING TREES WITHIN THE LIMITS OF THE ALLEY RIGHT OF WAY AS OUTLINED IN THE BID OPPORTUNITY.
  4. HYDRO POLES AND ANCHORS REQUIRING TEMPORARY SUPPORT TO BE DONE AT THE EXPENSE OF THE CONTRACTOR AS REQUIRED.
  5. WHERE UNSTABLE SUB-GRADES ARE ENCOUNTERED, ADDITIONAL EXCAVATION/SUB-BASE AND INSTALLATION OF GEGRID TO BE DETERMINED BY THE CONTRACT ADMINISTRATOR AND CONSTRUCTED IN ACCORDANCE W/ CW-3110.
  6. PROPOSED ELEVATIONS GIVEN ARE FOR EDGE OF PAVEMENT.
  7. ISOLATE EXISTING HYDRO POLES AS PER SD-228C.
  8. RENEW CURB AND SIDEWALK AS DIRECTED BY THE CONTRACT ADMINISTRATOR.
  9. MODIFIED BARRIER CURB TO BE CONSTRUCTED AT ALL BACK LANE RADI.
  10. ALL EXISTING PRIVATE APPROACHES TO BE RENEWED AS DIRECTED BY THE CONTRACT ADMINISTRATOR.
  11. ADJUSTMENTS TO PROPOSED CROSSFALL, WHERE REQUIRED, ARE TO BE DETERMINED BY THE CONTRACT ADMINISTRATOR TO SUIT EXISTING DRIVEWAYS, APPROACHES, ETC.
  12. ALL BOULEVARD RESTORATION TO BE SODDED UNLESS OTHERWISE NOTED.
  13. INSTALLATION OF LIP CURBS AND THEIR LIMITS THROUGH PRIVATE APPROACHES TO BE DETERMINED BY THE CONTRACT ADMINISTRATOR.
  14. REMOVE, ADJUST, AND SUPPLY PRECAST SIDEWALK BLOCKS AS DIRECTED BY THE CONTRACT ADMINISTRATOR.



LAND DRAINAGE SEWER PROFILE

SCALE: 1:250 HOR  
1:100 VER

THERE SHALL BE NO INCREASE IN CUMULATIVE PEAK FLOW ENTERING CS AND/OR SRS SYSTEMS AS A RESULT OF CONSTRUCTION WORKS SHOWN.



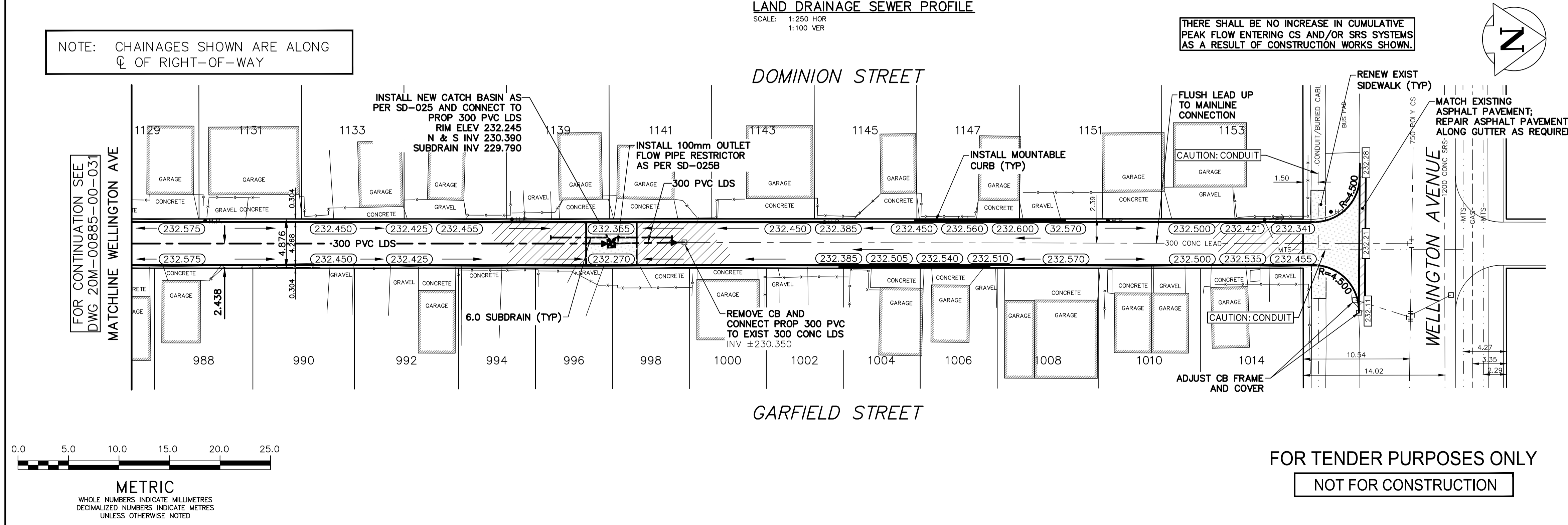
TYPICAL CATCHBASIN APRON DETAIL

SCALE: N.T.S.

TYPICAL ALLEY CROSS SECTION

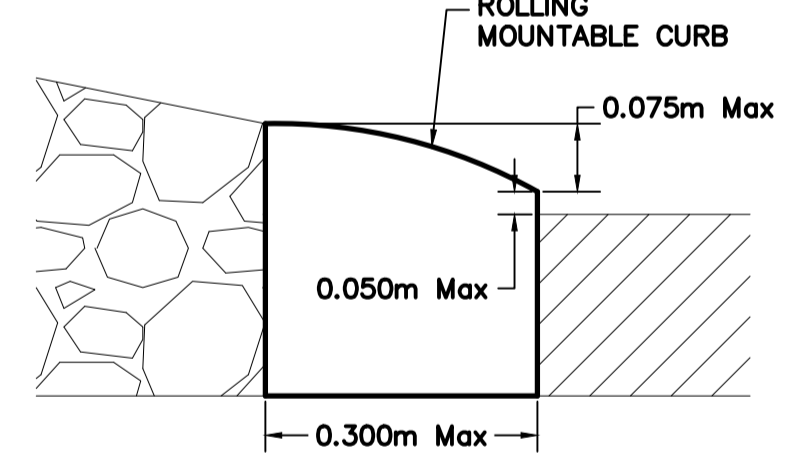
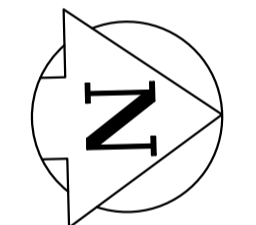
SCALE: N.T.S.

NOTE: CHAINAGES SHOWN ARE ALONG CL OF RIGHT-OF-WAY



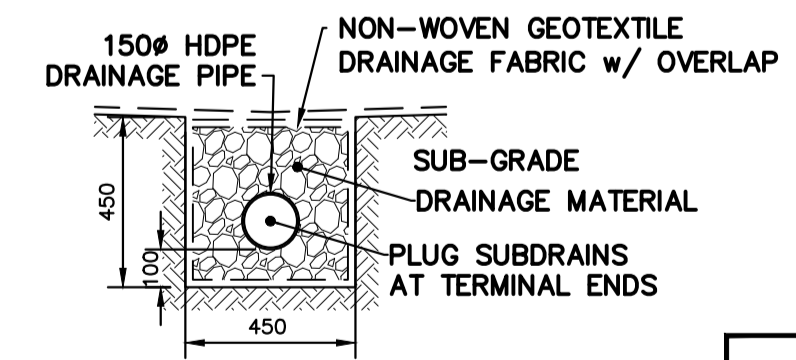
DOMINION STREET

GARFIELD STREET



TYPICAL MOUNTABLE CURB DETAIL

SCALE: N.T.S.



TYPICAL ALLEY SUBDRAIN DETAIL

SCALE: N.T.S.

FOR TENDER PURPOSES ONLY  
NOT FOR CONSTRUCTION

METRIC  
WHOLE NUMBERS INDICATE MILLIMETRES  
DECIMALIZED NUMBERS INDICATE METRES  
UNLESS OTHERWISE NOTED

EXISTING	LEGEND - PLAN	PROPOSED	EXISTING	LEGEND - PLAN	PROPOSED	EXISTING	LEGEND - PROFILE	PROPOSED
---	WATERMAIN	---	---	M.T.S.	---	---	---	---
---	HYDRANT	---	---	CONCRETE/ASPHALT	---	---	---	---
---	VALVE	---	---	SIDEWALK	---	---	---	---
---	CURB STOP	---	---	CURB RAMP	---	---	---	---
---	LAND DRAINAGE SEWER	---	---	ELEVATIONS	---	---	---	---
---	WASTE WATER SEWER	---	---	PROPERTY LINE	---	---	---	---
---	CB LEAD	---	---	SURVEY BAR	---	---	---	---
---	MANHOLE	---	---	HYDRO POLE	---	---	---	---
---	CATCH BASIN	---	---	STREET LIGHT	---	---	---	---
---	GAS	---	---	JOINTS	---	---	---	---
---	HYDRO	---	---	ASPHALT REPAIR	---	---	---	---

LOCATION APPROVED UNDERGROUND STRUCTURES

SUPV. U/G COMMITTEE	U/G STRUCTURES	DATE
---	---	---

NOTE:  
LOCATION OF UNDERGROUND STRUCTURES AS SHOWN ARE BASED ON THE BEST INFORMATION AVAILABLE BUT NO GUARANTEE IS GIVEN THAT ALL EXISTING UTILITIES ARE SHOWN OR THAT THE GIVEN LOCATIONS ARE EXACT. CONFIRMATION OF EXISTENCE AND EXACT LOCATION OF ALL SERVICES MUST BE OBTAINED FROM THE INDIVIDUAL UTILITIES BEFORE PROCEEDING WITH CONSTRUCTION.

B.M. TOP NUT OF HYDRANT AT THE SOUTH EAST CORNER OF THE GARFIELD STREET AND ARGENT AVENUE INTERSECTION ELEV. 233.654

NO.	REVISIONS	DATE	BY
3	ISSUED FOR TENDER	04/02/21	A.B.
2	WSP INTERNAL REVIEW	11/01/21	A.B.
1	PRELIMINARY DESIGN REVIEW	11/12/20	D.R.

WSP Canada Incorporated  
Suite 111 - 93 Lombard Ave  
Winnipeg, MB R3B 3B1  
t. 204.943.3178  
f. 204.943.4948  
www.wsp.com

DESIGNED BY: A.B.  
CHECKED BY: S.M.  
DRAWN BY: D.R.  
APPROVED BY: S.M.  
HOR. SCALE: 1:250  
VERT. SCALE: AS SHOWN  
DATE: DECEMBER 2020

NOT FOR CONSTRUCTION

CONTRACT NUMBER: CONTRACT 1  
20M-00885-00-30

THE CITY OF WINNIPEG  
PUBLIC WORKS DEPARTMENT

2021 ALLEY RENEWALS  
DOMINION ST / GARFIELD ST ALLEY  
FROM STA 3+50 TO WELLINGTON AVE

ASPHALT PAVEMENT

CITY DRAWING NO. LD-  
SHEET 3 OF 3  
BID OPPORTUNITY 17-2021

ENGINEERS GEOSCIENTISTS MANITOBA  
Certificate of Authorization  
WSP Canada Inc.  
No. 5750