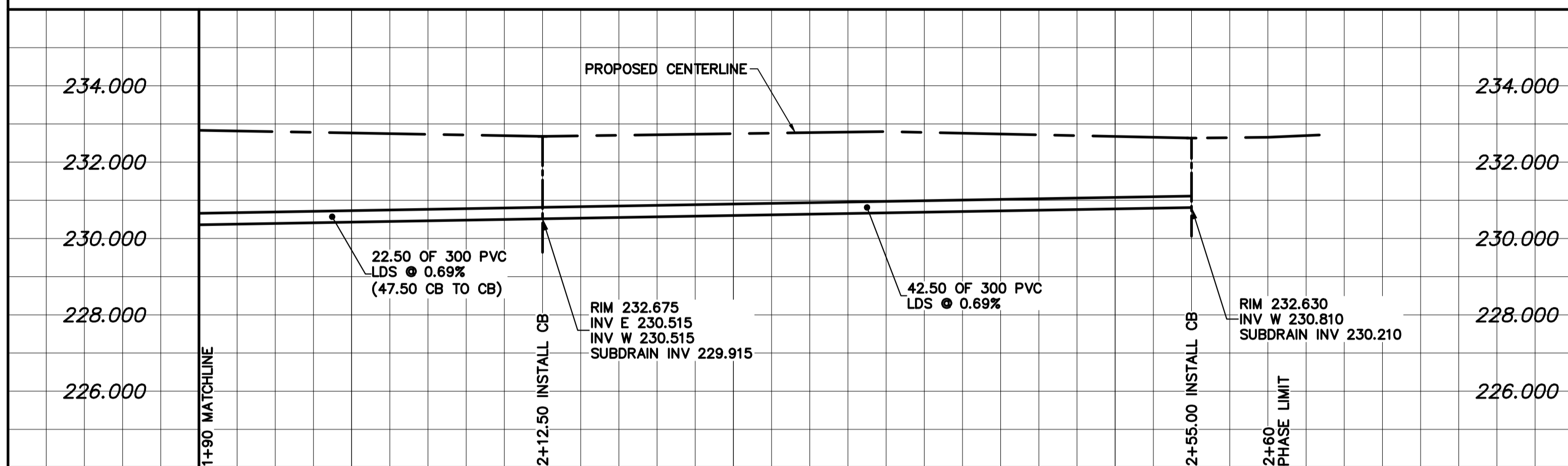
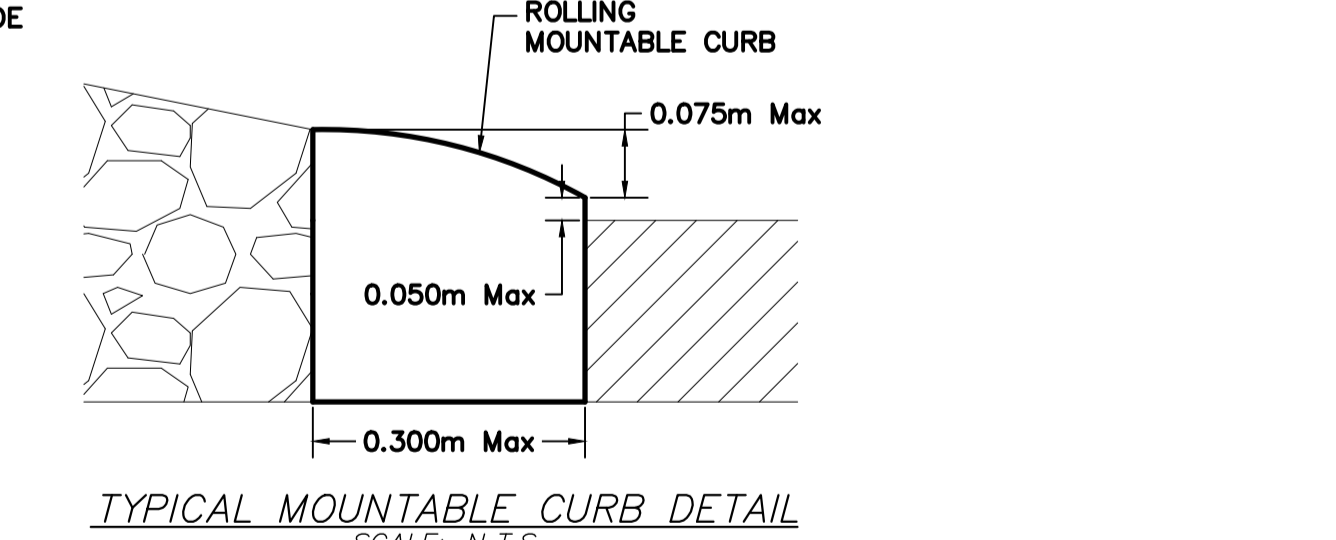
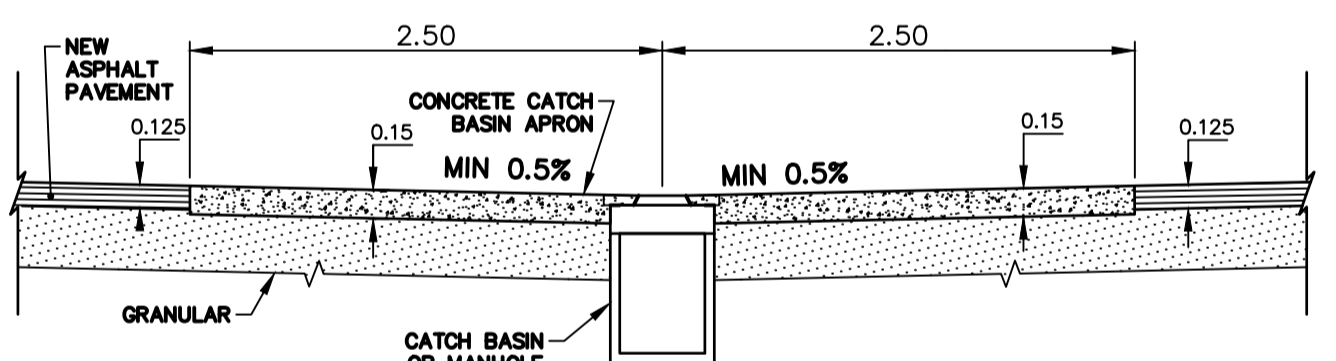
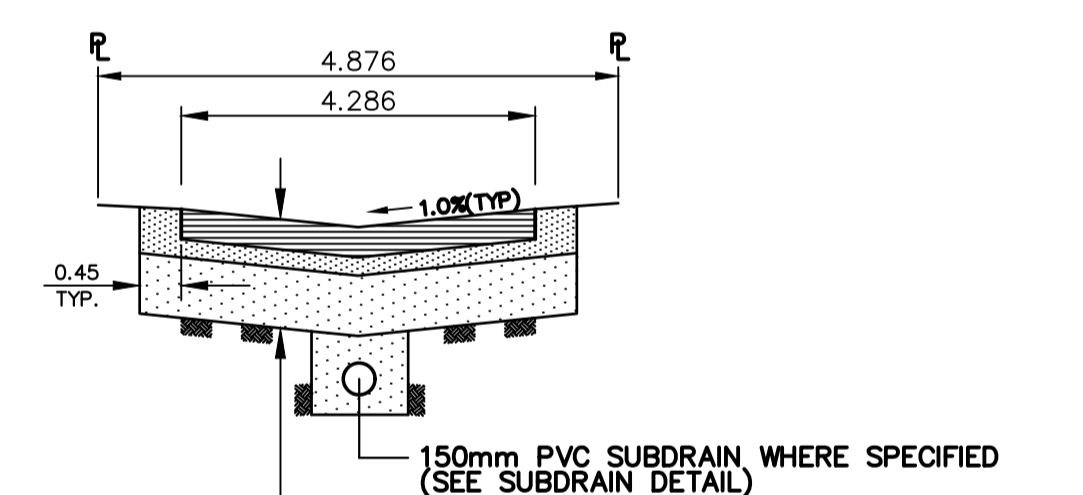
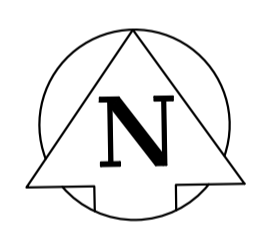
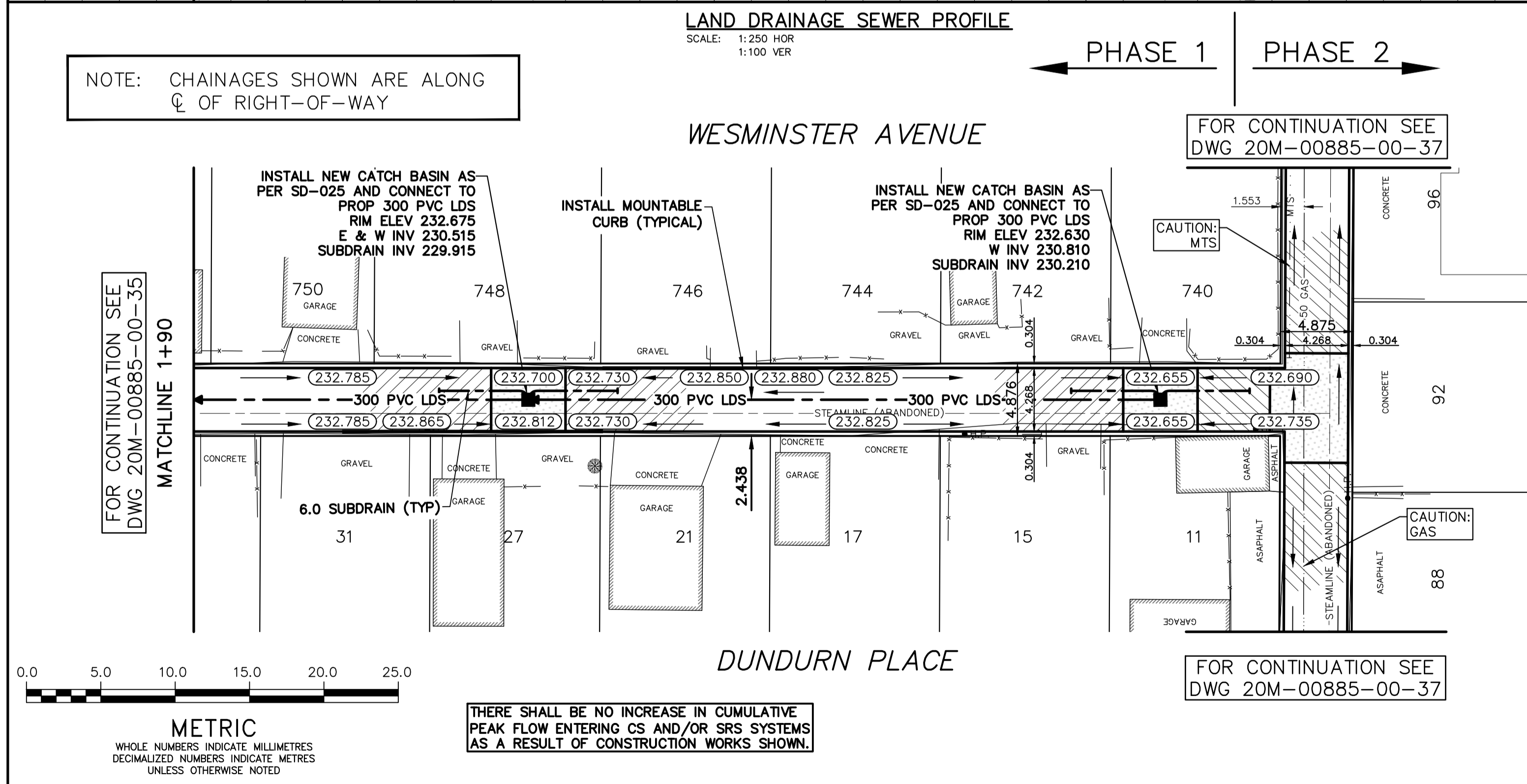


- NOTES:**
1. ALL WORK AND MATERIALS TO BE IN ACCORDANCE WITH THE LATEST REVISION OF THE CITY OF WINNIPEG STANDARD CONSTRUCTION SPECIFICATION.
  2. CONTRACTOR TO CONFIRM THE LOCATION OF ALL UTILITIES/SERVICES IN THE FIELD PRIOR TO CONSTRUCTION.
  3. CONTRACTOR TO AVOID DAMAGE TO EXISTING TREES WITHIN THE LIMITS OF THE ALLEY RIGHT OF WAY AS OUTLINED IN THE BID OPPORTUNITY.
  4. HYDRO POLES AND ANCHORS REQUIRING TEMPORARY SUPPORT TO BE DONE AT THE EXPENSE OF THE CONTRACTOR AS REQUIRED.
  5. WHERE UNSTABLE SUB-GRADES ARE ENCOUNTERED, ADDITIONAL EXCAVATION/SUB-BASE AND INSTALLATION OF GEOGRID TO BE DETERMINED BY THE CONTRACT ADMINISTRATOR AND CONSTRUCTED IN ACCORDANCE W/ CW-3110.
  6. PROPOSED ELEVATIONS GIVEN ARE FOR EDGE OF PAVEMENT.
  7. ISOLATE EXISTING HYDRO POLES AS PER SD-228C.
  8. RENEW CURB AND SIDEWALK AS DIRECTED BY THE CONTRACT ADMINISTRATOR.
  9. MODIFIED BARRIER CURBS TO BE CONSTRUCTED AT ALL BACK LANE RADII.
  10. ALL EXISTING PRIVATE APPROACHES TO BE RENEWED AS DIRECTED BY THE CONTRACT ADMINISTRATOR.
  11. ADJUSTMENTS TO PROPOSED CROSSFALL, WHERE REQUIRED, ARE TO BE DETERMINED BY THE CONTRACT ADMINISTRATOR TO SUIT EXISTING DRIVEWAYS, APPROACHES, ETC.
  12. ALL BOULEVARD RESTORATION TO BE SODDED UNLESS OTHERWISE NOTED.
  13. INSTALLATION OF LIP CURBS AND THEIR LIMITS THROUGH PRIVATE APPROACHES TO BE DETERMINED BY THE CONTRACT ADMINISTRATOR.
  14. REMOVE, ADJUST, AND SUPPLY PRECAST SIDEWALK BLOCKS AS DIRECTED BY THE CONTRACT ADMINISTRATOR.

**ALLEY PAVEMENT PROFILE**  
SCALE: 1:250 HOR  
1:10 VER



**LAND DRAINAGE SEWER PROFILE**  
SCALE: 1:250 HOR  
1:100 VER



- REFERENCE SPECIFICATIONS**
1. SUB-GRADE, SUB-BASE AND BASE MATERIAL SHALL BE SUPPLIED AND PLACED IN ACCORDANCE WITH CW-3110
  2. INSTALLATION OF SUBDRAINS SHALL BE IN ACCORDANCE WITH CW-3120
  3. DRAINAGE GEOTEXTILE FABRIC AND DRAINAGE PIPE SHALL CONFORM TO "APPROVED PRODUCTS FOR SURFACE WORKS"

**FOR TENDER PURPOSES ONLY**  
**NOT FOR CONSTRUCTION**

**ENGINEERS GEOSCIENTISTS MANITOBA**  
Certificate of Authorization  
WSP Canada Inc.  
No. 5750

WATERMAIN	HYDRANT	VALVE	CURB STOP	LAND DRAINAGE SEWER	WASTE WATER SEWER	CB LEAD	MANHOLE	CATCH BASIN	GAS	HYDRO
CONCRETE/ASPHALT	SIDEWALK	CURB RAMP	ELEVATIONS	PROPERTY LINE	SURVEY BAR	HYDRO POLE	STREET LIGHT	JOINTS	ASPHALT REPAIR	
EXISTING	LEGEND - PLAN	PROPOSED	EXISTING	LEGEND - PLAN	PROPOSED	EXISTING	LEGEND - PROFILE	PROPOSED	EXISTING	LEGEND - PROFILE

**LOCATION APPROVED UNDERGROUND STRUCTURES**

SUPV. COMMITTEE	U/G	STRUCTURES	DATE

**NOTE:**  
LOCATION OF UNDERGROUND STRUCTURES AS SHOWN ARE BASED ON THE BEST INFORMATION AVAILABLE BUT NO GUARANTEE IS GIVEN THAT ALL EXISTING UTILITIES ARE SHOWN OR THAT THE GIVEN LOCATIONS ARE EXACT. CONFIRMATION OF EXISTENCE AND EXACT LOCATION OF ALL SERVICES MUST BE OBTAINED FROM THE INDIVIDUAL UTILITIES BEFORE PROCEEDING WITH CONSTRUCTION.

**B.M. TOP NUT HYDRANT AT THE SOUTH EAST CORNER OF THE WALNUT STREET AND WESTMINSTER AVENUE INTERSECTION ELEV. 233.528**

NO.	REVISIONS	DATE	BY
3	ISSUED FOR TENDER	04/02/21	A.B.
2	WSP INTERNAL REVIEW	11/01/21	A.B.
1	PRELIMINARY DESIGN REVIEW	11/12/20	D.R.

**wsp**

DESIGNED BY: A.B. CHECKED BY: S.M.  
DRAWN BY: D.R. APPROVED BY: S.M.

HOR. SCALE: 1:250  
VERT. SCALE: AS SHOWN

DESIGNED: DECEMBER 2020

**NOT FOR CONSTRUCTION**

CONSULTANT DRAWING NO.  
**20M-00885-00-36**

**THE CITY OF WINNIPEG**  
PUBLIC WORKS DEPARTMENT

**2021 ALLEY RENEWALS**  
WESTMINSTER AVE / DUNDURN PL ALLEY  
FROM STA 1+90 TO MARYLAND AVE

**ASPHALT PAVEMENT**

CITY DRAWING NO.  
**LD-0000**  
SHEET 2 OF 3

BID OPPORTUNITY  
**17-2021**