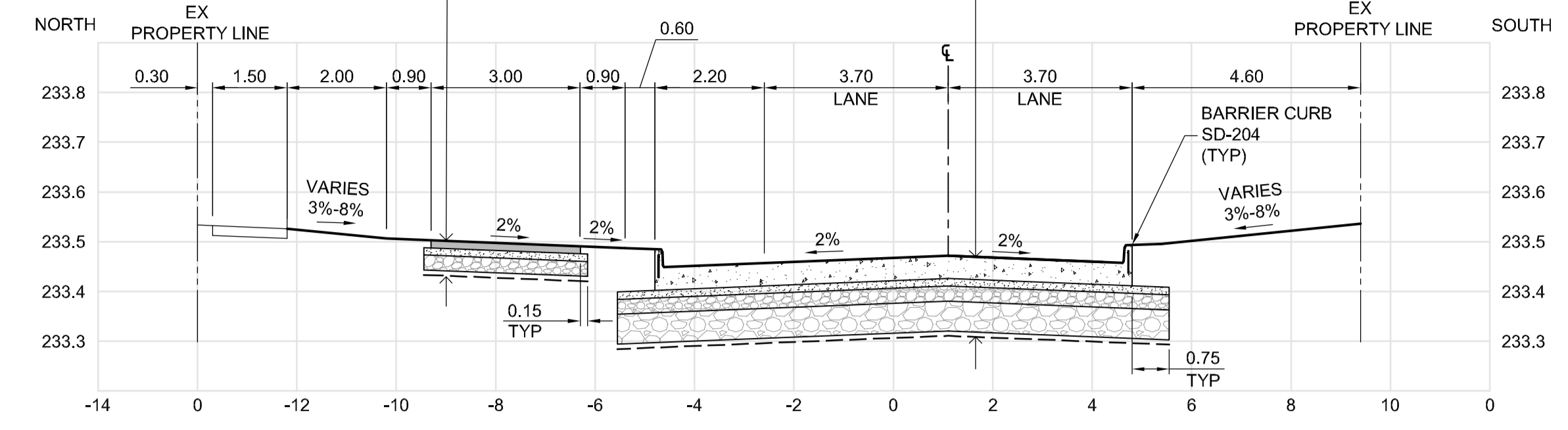


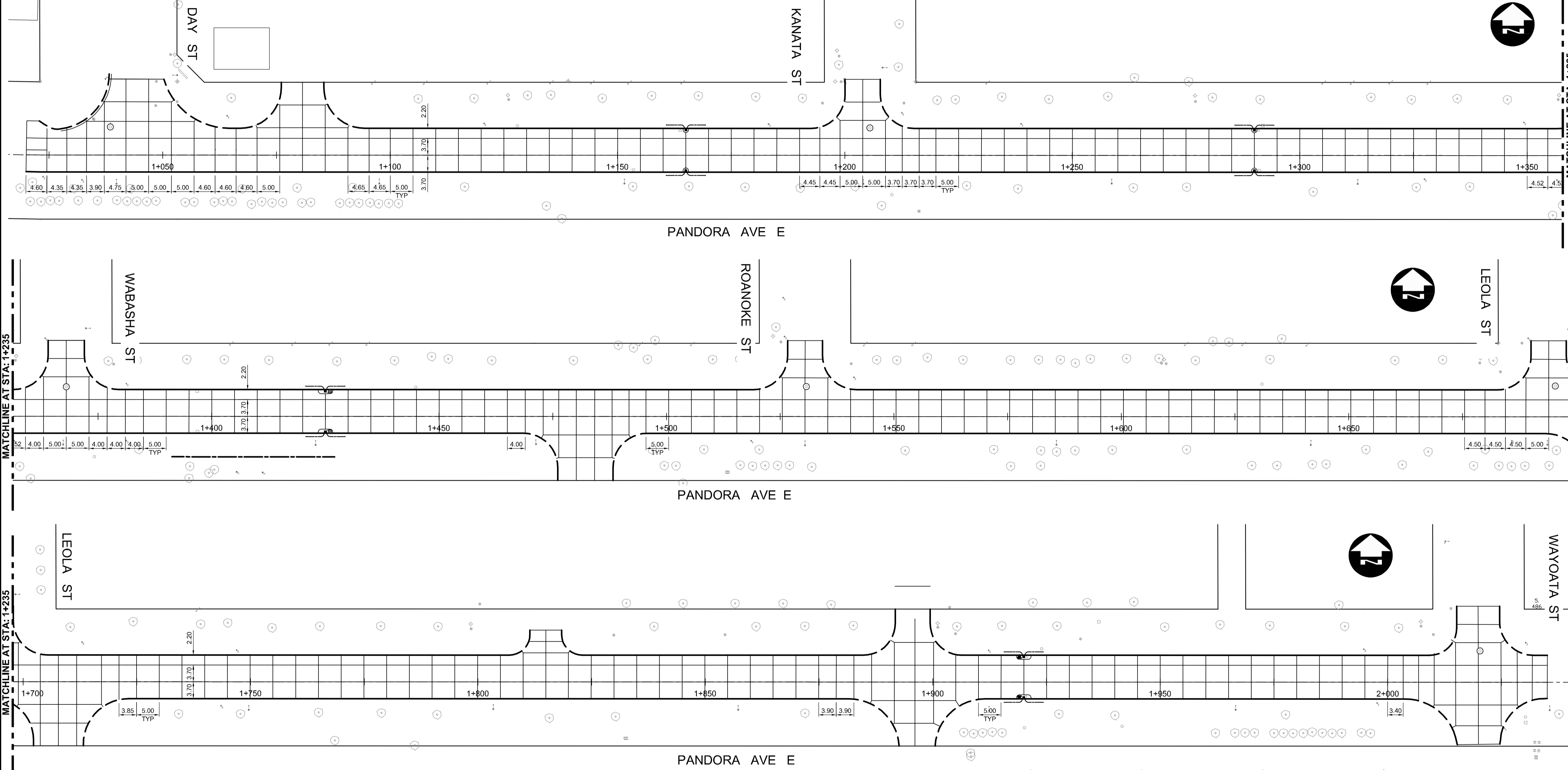
75 TYPE 1A ASPHALT
75 BASE COURSE MATERIAL - GRANULAR A LIMESTONE
150 SUB-BASE 50 mm - GRANULAR A LIMESTONE
SEPARATION GEOTEXTILE FABRIC ON PREPARED SUBGRADE

230 PLAIN DOWELLED CONCRETE PAVEMENT
100 BASE COURSE MATERIAL - GRANULAR A LIMESTONE
350 SUB-BASE 50 mm - GRANULAR A LIMESTONE
CLASS A GEOGRID
SEPARATION/FILTRATION GEOTEXTILE ON PREPARED SUBGRADE



TYPICAL CROSS SECTION
(SCALE HORZ 1:100 VERT 1:50)

CONCRETE JOINT LAYOUT (SCALE 1:500)



CONSTRUCTION NOTES:

- ALL WORK AND MATERIALS IN ACCORDANCE WITH LATEST REVISION OF THE CITY OF WINNIPEG STANDARD CONSTRUCTION SPECIFICATIONS.
- ALL DIMENSIONS ARE TO BACK OF CURB.
- ISOLATE MISCELLANEOUS ITEMS IN NEW CONCRETE WORKS AS PER SD-228C.
- LEGAL PLAN AND UNDERGROUND INFORMATION FROM CITY OF WINNIPEG LBIS. CONTRACTOR TO VERIFY ALL UNDERGROUNDS IN THE FIELD.
- CONTRACTOR TO TAKE PRECAUTIONARY STEPS TO AVOID DAMAGE FROM CONSTRUCTION ACTIVITIES TO TREES WITHIN THE LIMITS OF CONSTRUCTION.
- LOCATION OF EXISTING SERVICES TO BE CONFIRMED IN THE FIELD BY THE CONTRACTOR.
- CB LEADS TO BE INSTALLED AT MIN. 1.0% SLOPE OR AS DIRECTED BY CONTRACT ADMINISTRATOR.
- LIMITS OF CURB AND SIDEWALK RENEWAL TO BE FINALIZED IN THE FIELD BY THE CONTRACT ADMINISTRATOR.
- LIMITS OF BOULEVARD GRADING TO BE FINALIZED IN THE FIELD BY THE CONTRACT ADMINISTRATOR.
- ADJUST ALL WATER VALVES, MANHOLES, CATCH BASINS, CATCH PITS, AND WATER SERVICE SHUT OFF VALVES TO GRADE.
- ALL PRIVATE WALKWAYS ADJUSTED TO NEW SIDEWALK OR TOP OF CURB ELEVATION, AS REQUIRED.
- MODIFIED BARRIER CURB TO BE CONSTRUCTED AT ALL INTERSECTION RADII AND BACK LANE RADII.
- LAMP STANDARDS, HYDRO POLES AND ANCHORS THAT REQUIRE TEMPORARY SUPPORT, REMOVAL OR REPLACEMENT, ARE TO BE DONE AT THE EXPENSE OF THE CONTRACTOR, AS NECESSARY.
- SEE SHEET 12 FOR TYPICAL PANDORA AVE. SECTION.

**ENGINEERS
GEOSCIENTISTS
MANITOBA**
Certificate of Authorization
Dillon Consulting Limited (MB)
No. 1789 Date: 2021/03/11

ABBREVIATIONS:

CONC	CONCRETE ROADWAY
ASP	ASPHALT ROADWAY
ASP OVLY	ASPHALT OVERLAY ROADWAY
GRAN	GRANULAR ROADWAY
PVS	PAVING STONE/BRICK
CSW	CONCRETE SIDEWALK
ASW	ASPHALT SIDEWALK
GSW	GRANULAR SIDEWALK
TYP	TYPICAL SIDEWALK
EX	EXISTING
MH	MANHOLE
WV	WATER VALVE
EL	ELEVATION
CB	CATCH BASIN
CP	CATCH PIT
CI	CURB INLET
CL	CONTROL LINE

METRIC

WHOLE NUMBERS INDICATE MILLIMETRES
DECIMALIZED NUMBERS INDICATE METRES

WARNING

IF POWER EQUIPMENT OR EXPLOSIVES ARE TO BE USED FOR EXCAVATION ON THIS PROJECT THE CONTRACTOR MUST:

- NOTIFY THE GAS COMPANY OF THE PROPOSED LOCATION OF EXCAVATION.
- TAKE PRECAUTION TO AVOID DAMAGE TO GAS COMPANY INSTALLATIONS SEE PROVINCIAL REGULATION 210/72 FOR DETAILS.
- OBTAIN EXCAVATION PERMITS PRIOR TO CONSTRUCTION.

p:\Users\dillon.ca\Projects\2020\Documents\Projects\2021\4 Pavement Renew Day/Pandora/Pavement\2. Work\Drawings\Roadworks\Contract\

HYDRANT	CONCRETE	WATERMAIN	150 WM
VALVE	ASPHALT	LAND DRAINAGE SEWER	300 LDS
MANHOLE	SIDEWALK	WASTE WATER SEWER	250 WWS
CATCH BASIN	PAVING STONES	HYDRANT	
CATCH PIT	PAVEMENT REPAIR FABRIC	VALVE	
150 WM	PROPERTY LINE	Q PROFILE	
300 LDS	ELEVATION	NORTH/WEST GUTTER	
250 WWS	TRAFFIC SIGNAL	SOUTH/EAST GUTTER	
HYDRO	SURVEY BAR	NORTH/WEST DITCH	
MTS	CURB RAMP	SOUTH/EAST DITCH	
100 GAS	DETECTABLE TILE		
EXISTING	LEGEND-PLAN	PROPOSED	LEGEND-PROFILE

DESIGNED BY	MRF
DRAWN BY	PMW
CHECKED BY	KP
APPROVED BY	TJP
HOR. SCALE	AS NOTED
VERTICAL	AS NOTED
1	ISSUED FOR TENDER
NO.	REVISIONS

UNDERGROUND STRUCTURES
APPROVED BY UGS 2021/03/11
SUPV. U/G STRUCTURES DATE

B.M. ELEV.

1 21/03/11 TJP

2

DESIGNED BY MRF
DRAWN BY PMW
CHECKED BY KP
APPROVED BY TJP
HOR. SCALE AS NOTED
VERTICAL AS NOTED

**THE CITY OF WINNIPEG
PUBLIC WORKS DEPARTMENT**

2021 DAY/PANDORA PAVEMENT RENEWAL PROJECT
PANDORA CONCRETE RECONSTRUCTION
DAY STREET TO WAYOATA STREET

CITY DRAWING NUMBER P-3540-2021-12
SHEET 12 OF 14
CONSULTANT DRAWING NUMBER

DILLON CONSULTING

ENGINEER'S SEAL
PROVINCE OF MANITOBA
REGISTERED PROFESSIONAL ENGINEER
T.J. PETERS
2021/03/11
Member 22309

CONSULTANT PROJECT NUMBER
20-2914

PANDORA AVE. EAST TYPICAL CROSS SECTION
AND CONCRETE JOINT LAYOUT