

Drawing Title:

Drawing No:

METAL SLAT WR:

Galvanized Finish: Product # 52501064GLV

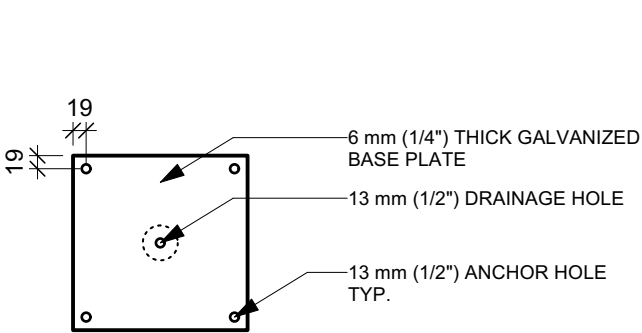
**WASTE RECEPTACLE
SIDE OPENING METAL SLAT TYPE**

SCD-119A

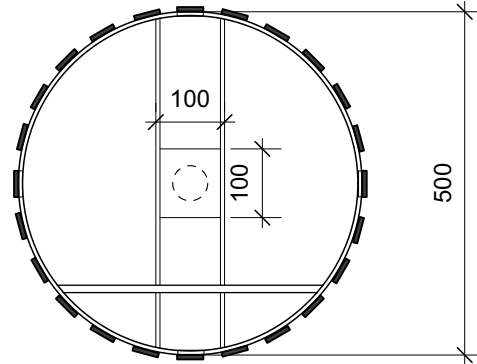
WIRE BASKET:

Galvanized Finish: Product # 52501058GLV

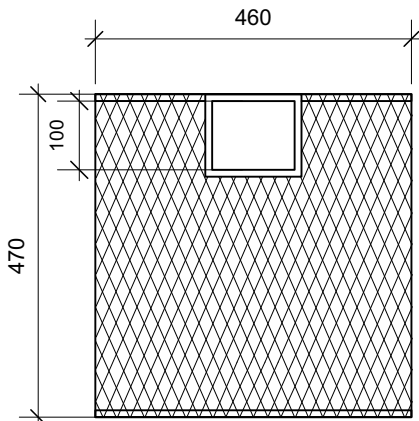
SURFACE MOUNT



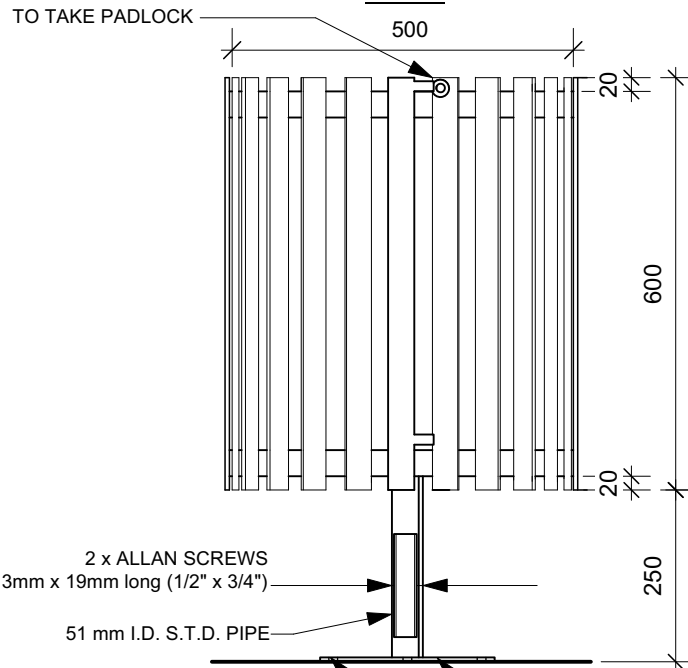
WR BASE PLATE



PLAN



WIRE BASKET



METAL SLAT WR

NOTE FOR GALVANIZED FINISH:

- METAL TO BE HOT DIPPED GALVANIZED.

DIMENSIONS SHOWN ARE IN MILLIMETRES UNLESS OTHERWISE SPECIFIED

REVISION: 1
 DATE: Jan 14, 2021
 SCALE: N.T.S.
 DRAWN BY: GZ

The City of Winnipeg
 Planning, Property and Development Department
 Planning and Land Use Division
 Unit 15 - 30 Fort Street, Winnipeg, MB, R3C 4X5

