

**MATERIALS**

COMPOSITE SLATS:  
- 89mm x 89mm COMPOSITE BOARDS  
- CEDAR TONE FINISH

METAL OPTIONS:

- GALVANIZED - Product # 52501115GLV

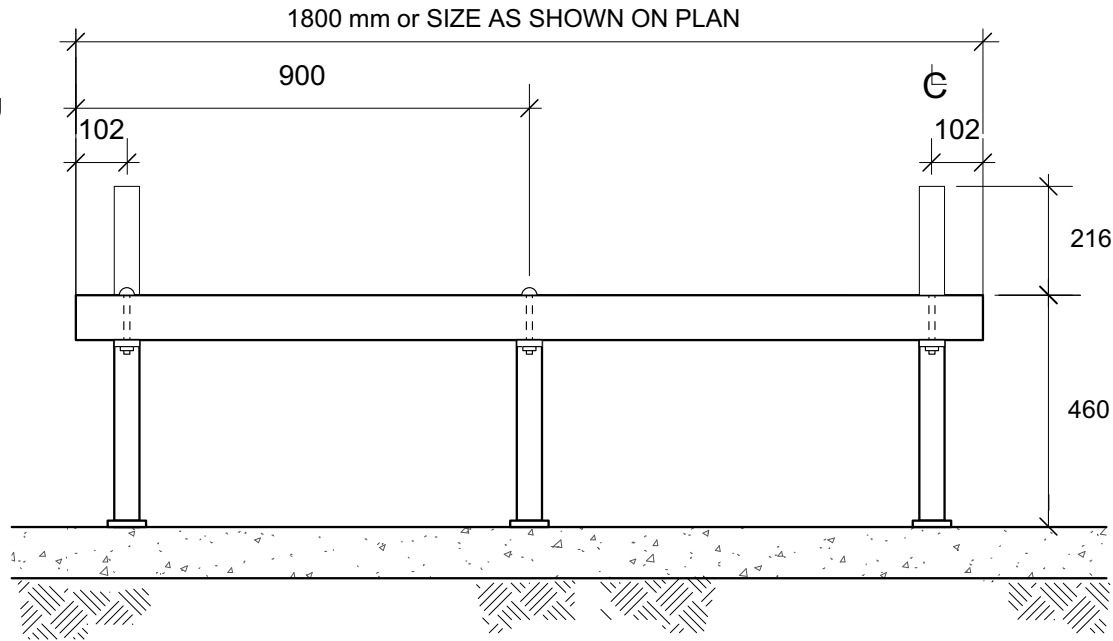
Drawing Title:

**TACHE BACKLESS BENCH  
COMPOSITE WITH ARMS Surface Mount**

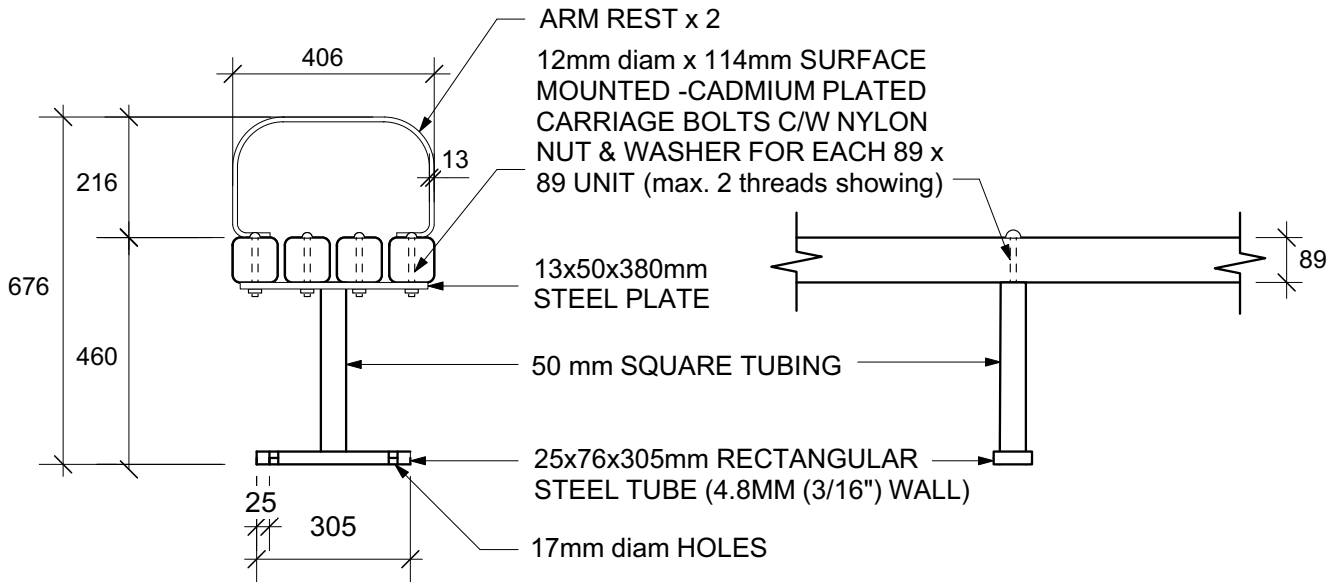
Drawing No:

**SCD-121D**

Anchor bench to concrete foundation using expansion bolts (not included)



**FRONT ELEVATION**



**SIDE ELEVATION**

**SUPPORT DETAILS**

DIMENSIONS SHOWN ARE IN M

ECIFIED

REVISION: 1  
DATE: August 06, 2020  
SCALE: N.T.S.  
DRAWN BY: GZ

The City of Winnipeg  
Planning, Property and Development Department  
Planning and Land Use Division  
Unit 15 - 30 Fort Street, Winnipeg, MB, R3C 4X5

