

Copyright Reserved  
 The Contractor shall verify and be responsible for all dimensions. DO NOT scale the drawing - any errors or omissions shall be reported to Stantec without delay.  
 The Copyrights to all designs and drawings are the property of Stantec. Reproduction or use for any purpose other than that authorized by Stantec is forbidden.

Consultants

Legend

Notes

Revision	By	Appd.	YY.MM.DD
5			
4			
3			
2			
1			
E	ISSUED FOR CONSTRUCTION	TK	TK 2021.07.13
D	ISSUED FOR TENDER	TK	TK 2021.06.23
C	ISSUED FOR 90%	TK	TK 2021.01.15
B	ISSUED FOR 66%	TK	TK 2020.12.16
A	ISSUED FOR 33%	TK	TK 2020.11.13

Issued By Appd. YY.MM.DD

File Name: q-001 21.06.23

Dwn. Chkd. Dsgn. YY.MM.DD

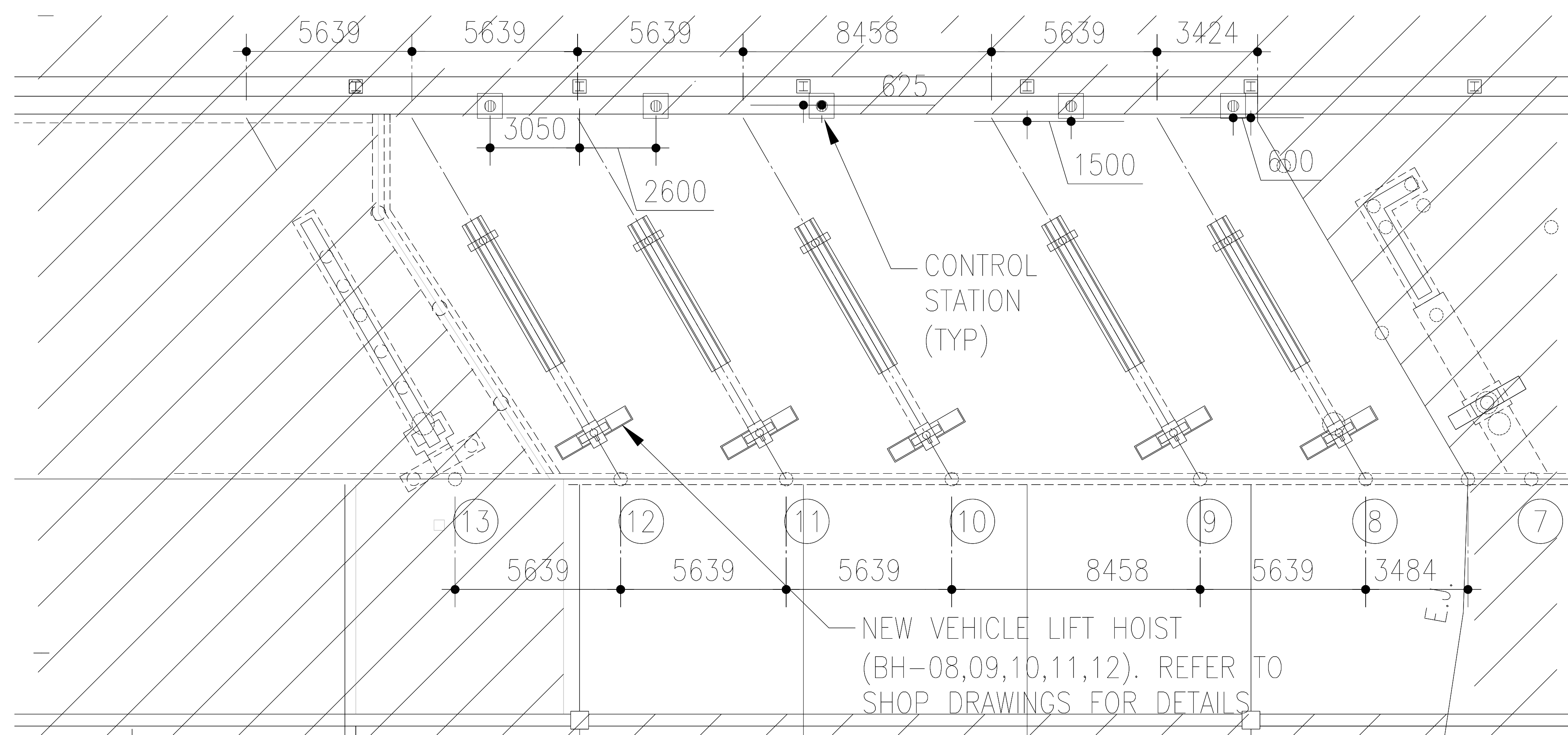
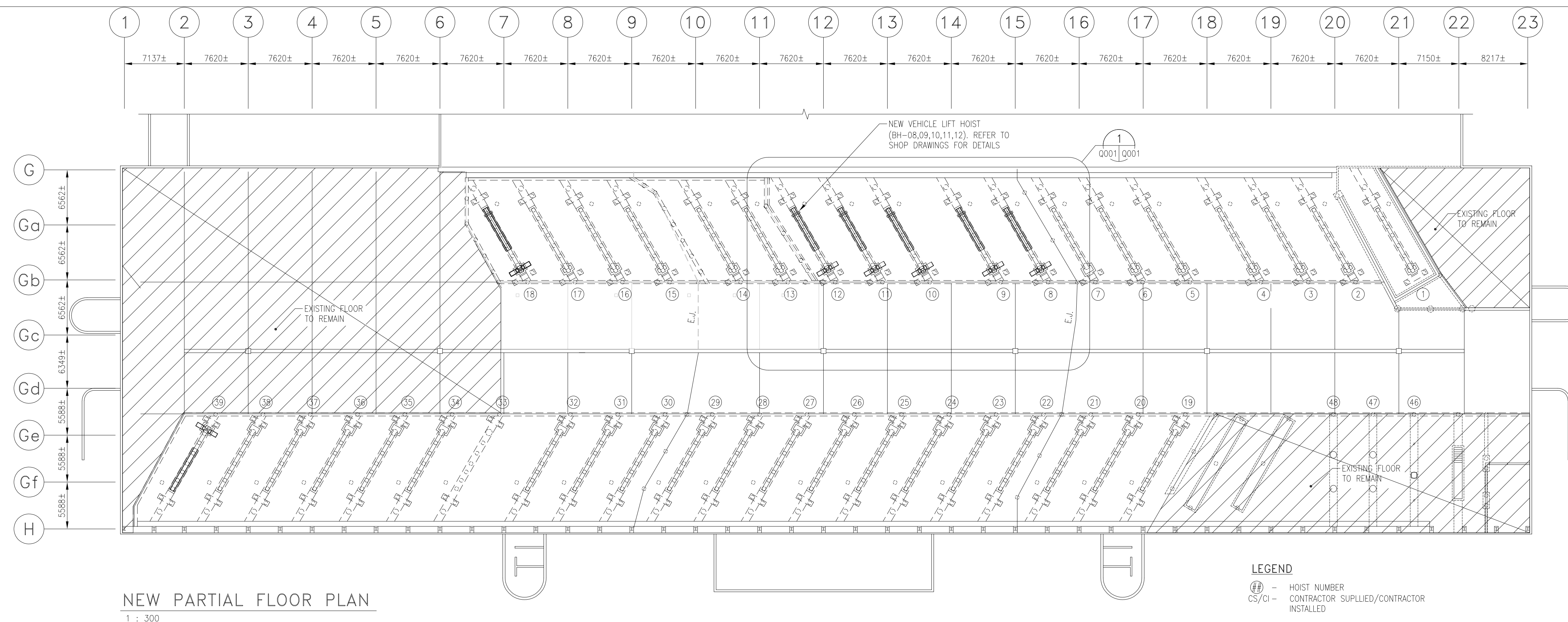
Permit-Seal



Client/Project  
 WINNIPEG TRANSIT  
 GARAGE BUILDING  
 HOIST REPLACEMENT PROGRAM  
 PHASE 2 - HOISTS 8 - 12  
 421 Osborne Street, Winnipeg Manitoba

Title  
 MAIN FLOOR PHASE-2 BUST HOIST  
 EQUIPMENT FLOOR PLAN

Project No. 115420037 Scale  
 Drawing No. Sheet of Revision



**GENERAL NOTES**

- REFER TO THE BUS HOIST SPECIFICATIONS SECTION 14 45 29 BUS HOIST REQUIREMENT.
- REFER TO MECHANICAL AND ELECTRICAL DRAWINGS FOR SERVICE COORDINATION.
- CONFIRM ALL EQUIPMENT CONNECTIONS AND ELECTRICAL REQUIREMENTS WITH EQUIPMENT SUPPLIER PRIOR TO ROUGH-IN. MAKE ADJUSTMENTS AND INSTALL PER SUPPLIER REQUIREMENTS AT NO ADDITIONAL CHARGE.
- THIS BUILDING MAY CONTAIN ASBESTOS. REFER TO FRONT END SPECIFICATIONS FOR FURTHER INFORMATION.
- COORDINATE FINAL LOCATION OF ALL EQUIPMENT WITH THE CITY AND MECHANICAL SUBCONTRACTOR.
- COORDINATE WITH THE CITY PRIOR TO SHUT-DOWN OR REMOVAL OF EQUIPMENT.
- REFER TO THE ELECTRICAL AND STRUCTURAL DRAWINGS FOR CONTROL STATION DETAILS.

EQUIPMENT SCHEDULE						
EQUIPMENT ID	ITEM	MANUFACTURER	MODEL NUMBER	QTY	SCOPE	SPEC SECTION
BH-08,09,10,11,12	BUS HOIST	ROTARY OR APP.EQUAL	70Q-ALI	5	CS/CI	14 45 29

COMMENTS: ROTARY MODEL 70Q-ALI WITH ULTRA LOW PROFILE FRONT SADDLE TO AVOID INTERFERENCE WITH BUS FRAME OR APPROVED EQUAL LIFT

**1 NEW PHASE 2 PLAN**  
 0001/0001 1:100