

Copyright Reserved  
 The Contractor shall verify and be responsible for all dimensions.  
 DO NOT scale the drawing - any errors or omissions shall be reported to Stantec without delay.  
 The Copyrights to all designs and drawings are the property of Stantec.  
 Reproduction or use for any purpose other than that authorized by Stantec is forbidden.

Consultants

Legend

Notes

Revision	By	Appd.	YY.MM.DD
5			
4			
3			
2			
1			
E			
D			
C			
B	IR	SB	2021.07.13
A	IR	SB	2021.06.23
Issued			
File Name:	20037_S-102		21.06.30
	Dwn.	Chkd.	Dsgn.
			YY.MM.DD

Permit-Seal

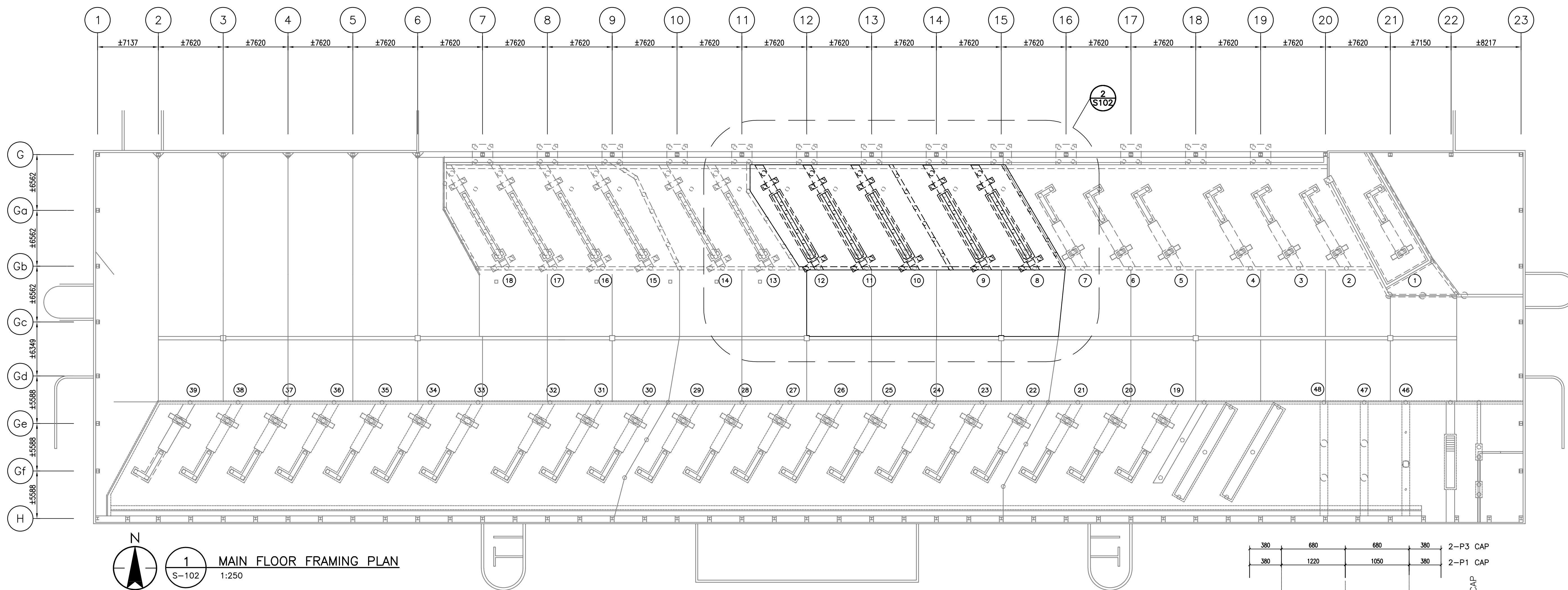
**ENGINEERS  
 GEOSCIENTISTS  
 MANITOBA  
 S.F.**  
 Certificate of Authorization  
 Stantec Consulting Ltd.  
 No. 1301



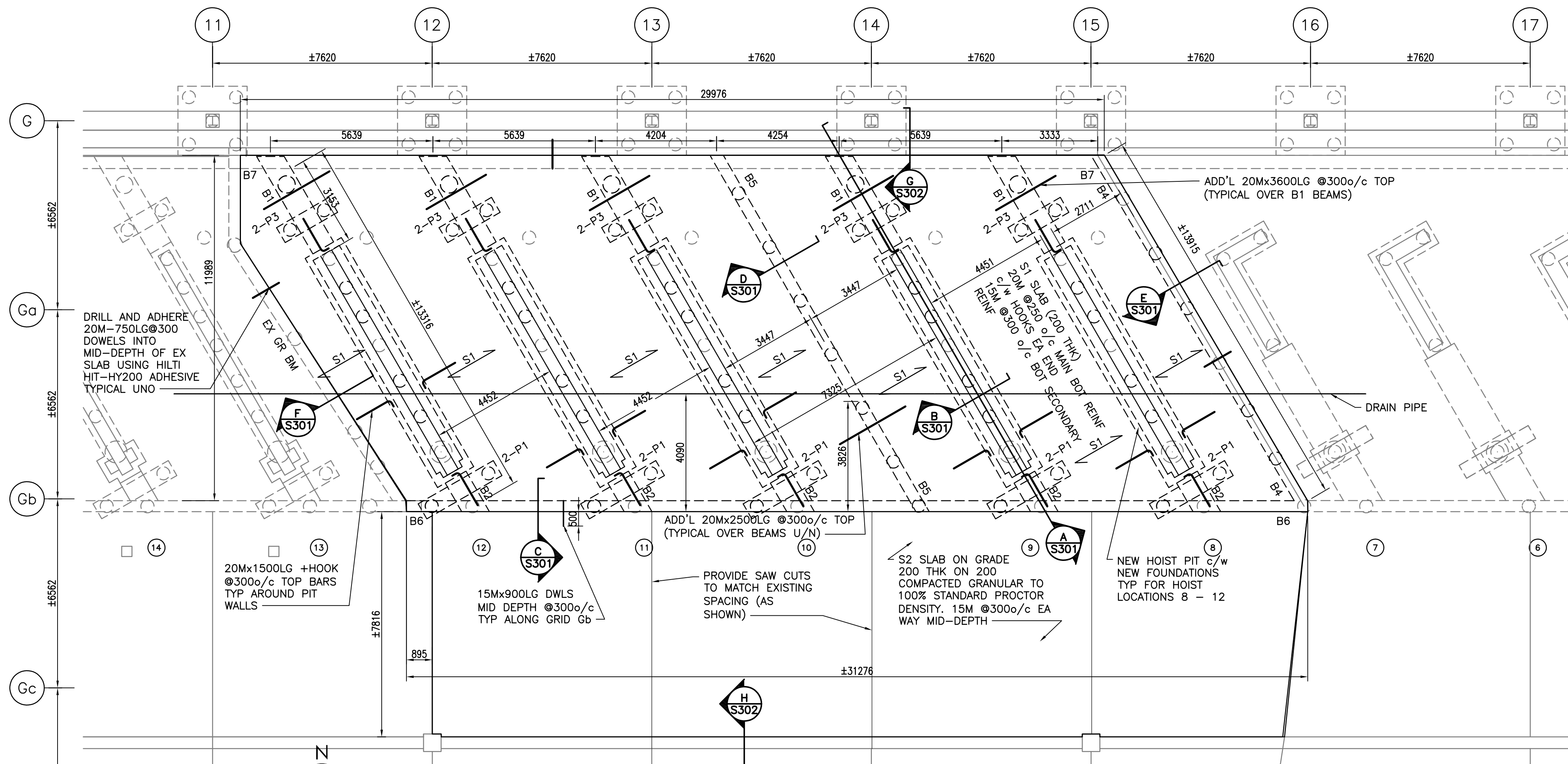
Client/Project  
**WINNIPEG TRANSIT  
 GARAGE BUILDING**  
 HOIST REPLACEMENT PROGRAM  
 PHASE 2 - HOISTS 8 - 12  
 421 Osborne Street, Winnipeg Manitoba

Title  
**MAIN FLOOR FRAMING PLAN**

Project No. 115420037 Scale  
 Drawing No. Sheet Revision

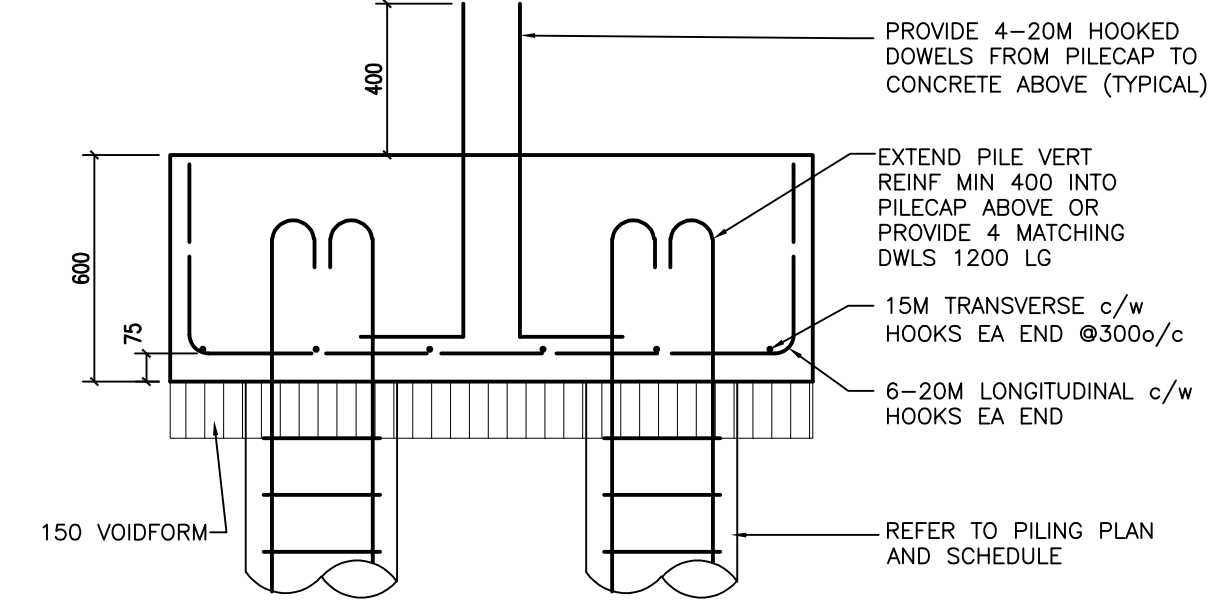
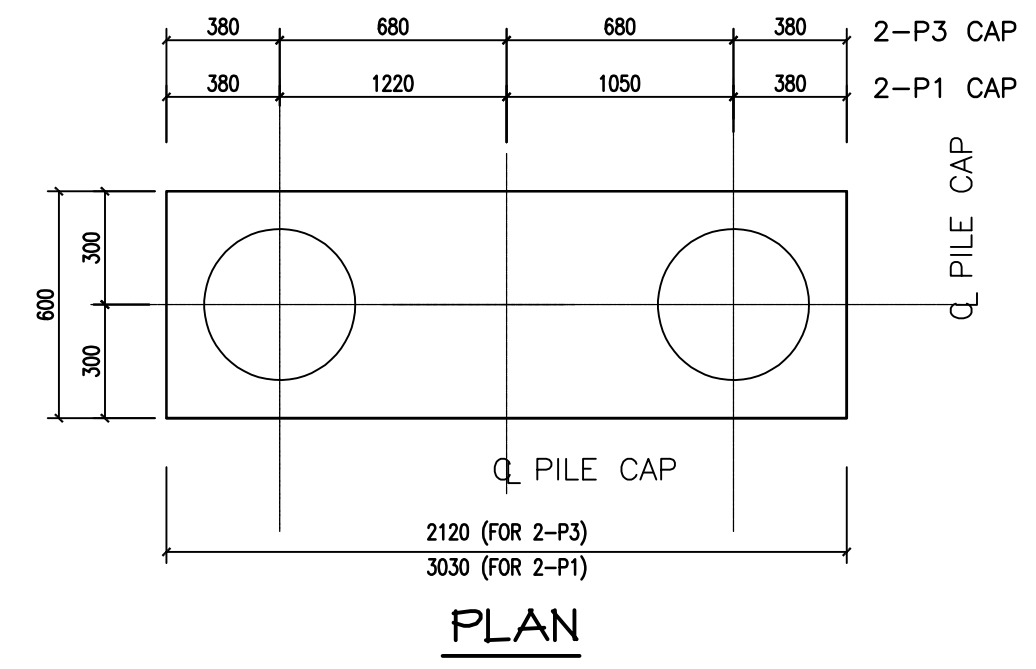


**1 MAIN FLOOR FRAMING PLAN**  
 S-102 1:250



**2 PARTIAL MAIN FLOOR FRAMING PLAN**  
 S-102 1:100

DESIGN LOADS:  
 LL FLOOR = 12.0 kPa  
 LL HOIST = 112 kN / HOIST  
 DL = SELFWEIGHT OF CONCRETE SLAB,  
 BEAMS, TRENCHES AND PILECAPS



**A TYPICAL DOUBLE PILECAP**  
 S-102 1:100

MARK	WIDTH (mm)	DEPTH (mm)	REINFORCEMENT	COMMENTS
B1	830	660	6-20M T&B 10M STIRR @250 O/C	
B2	830	400	6-20M BOT, 4-20M TOP 10M STIRR @250 O/C	
B3			NOT USED	
B4	400	600	3-20M T&B 10M STIRR @300o/c c/w 200x200 CORBEL	REFER TO SECTION
B5	400	660	3-20M T&B 10M STIRR @300o/c	
B6	400	400	4-20M T&B 10M STIRR @200o/c c/w 140x200 CORBEL	REFER TO SECTION
B7	400	660	3-20M T&B 10M STIRR @300o/c	

NOTES:  
 -PROVIDE 12x400 PRESSURE TREATED (PT) PLYWOOD EACH SIDE (ES) OF VOIDFORM FOR ALL EXTERIOR GRADE BEAMS  
 -PROVIDE 150 DEEP CARDBOARD VOID FORM BELOW ALL GRADE BEAMS  
 -REFER TO PLANS FOR ADD'L REINFORCING  
 -PROVIDE CORNER BARS TO MATCH HORIZONTAL BEAM REINFORCING

\\C:\pds\projects\115420037\115420037\_03\_structural\02\_con\03\_mech\20037\_S-102.dwg P-102  
 2021/07/12 10:41:10 AM by: bmoorhead