

Copyright Reserved
 The Contractor shall verify and be responsible for all dimensions.
 DO NOT scale the drawing - any errors or omissions shall be reported
 to Stantec without delay.
 The Copyrights to all designs and drawings are the property of Stantec.
 Reproduction or use for any purpose other than that authorized by
 Stantec is forbidden.

Consultants

Legend

Notes

Revision	By	Appd.	YY.MM.DD
5			
4			
3			
2			
1			
B	IR	SB	2021.07.13
A	IR	SB	2021.06.23
Issued			
File Name:	20037_s-301		21.06.23
	Dwn.	Chkd.	Dsgn.
			YY.MM.DD

Permit-Seal

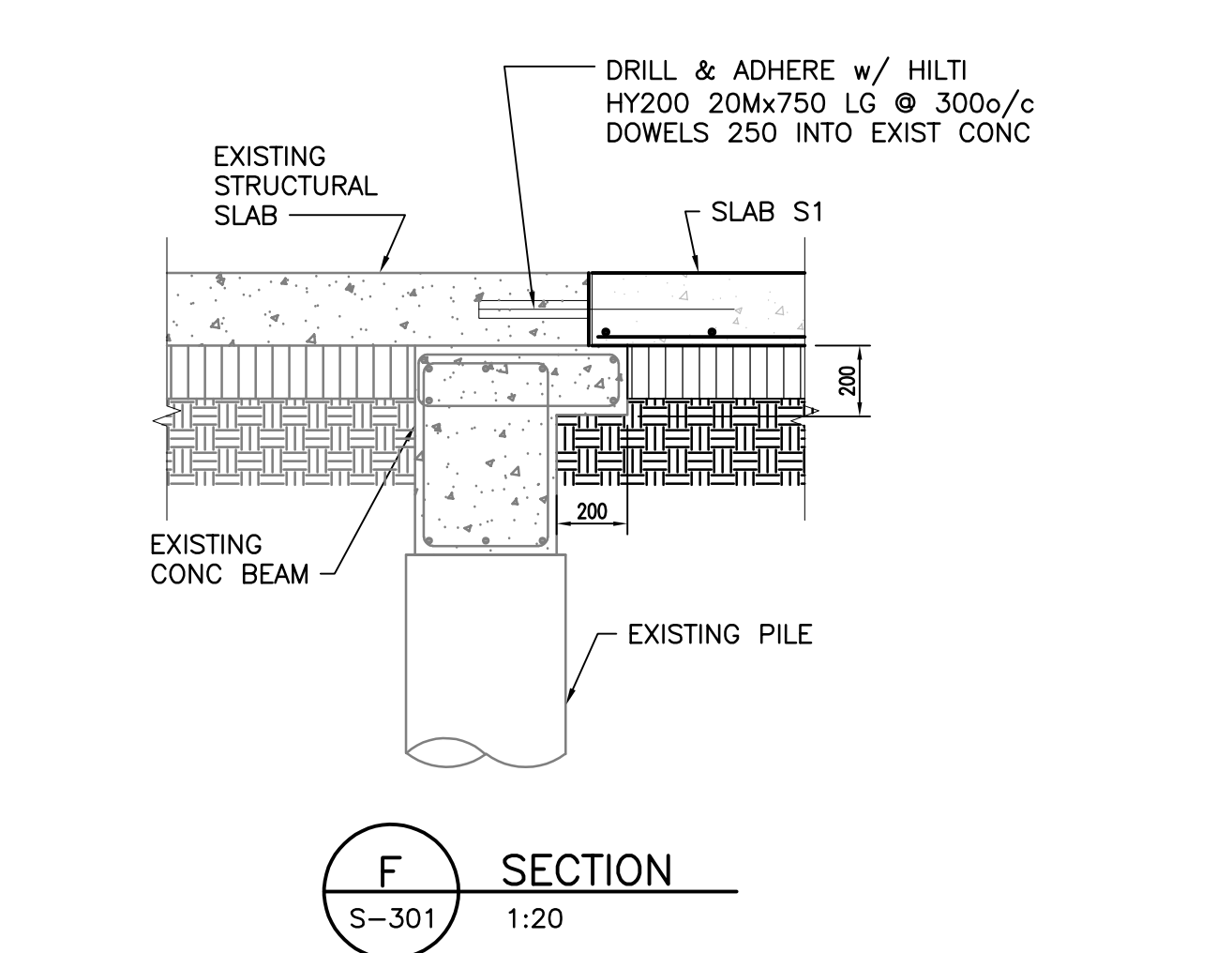
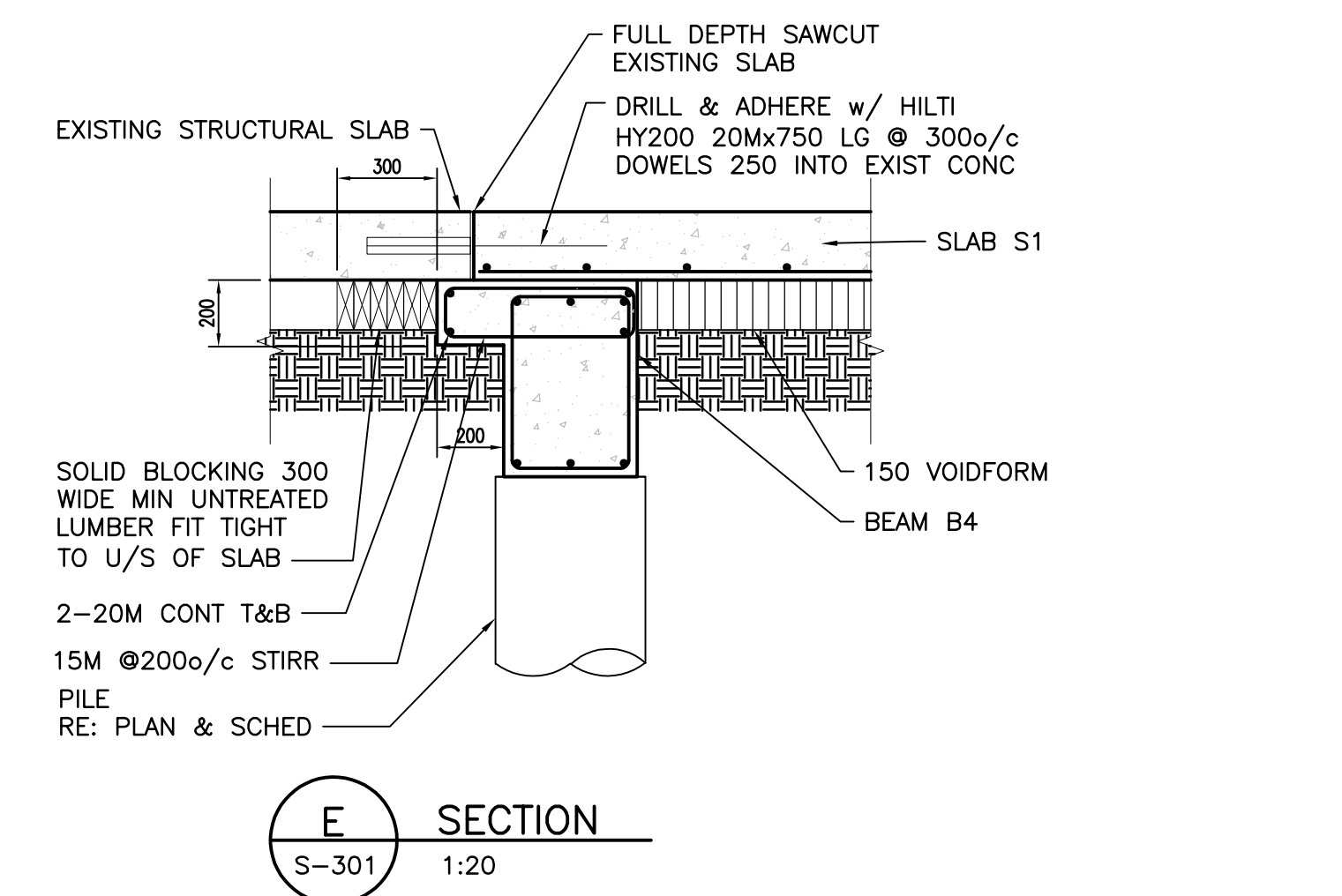
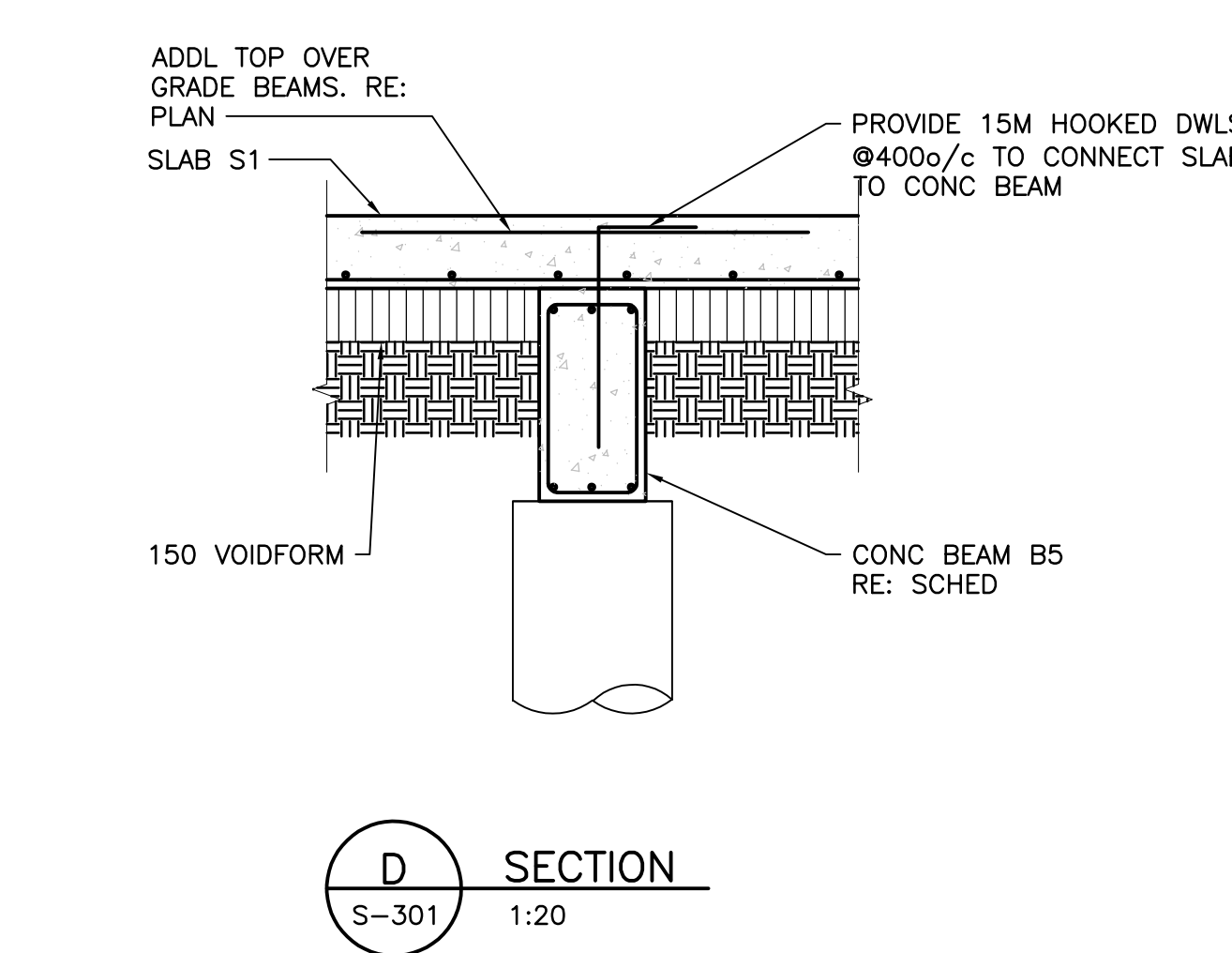
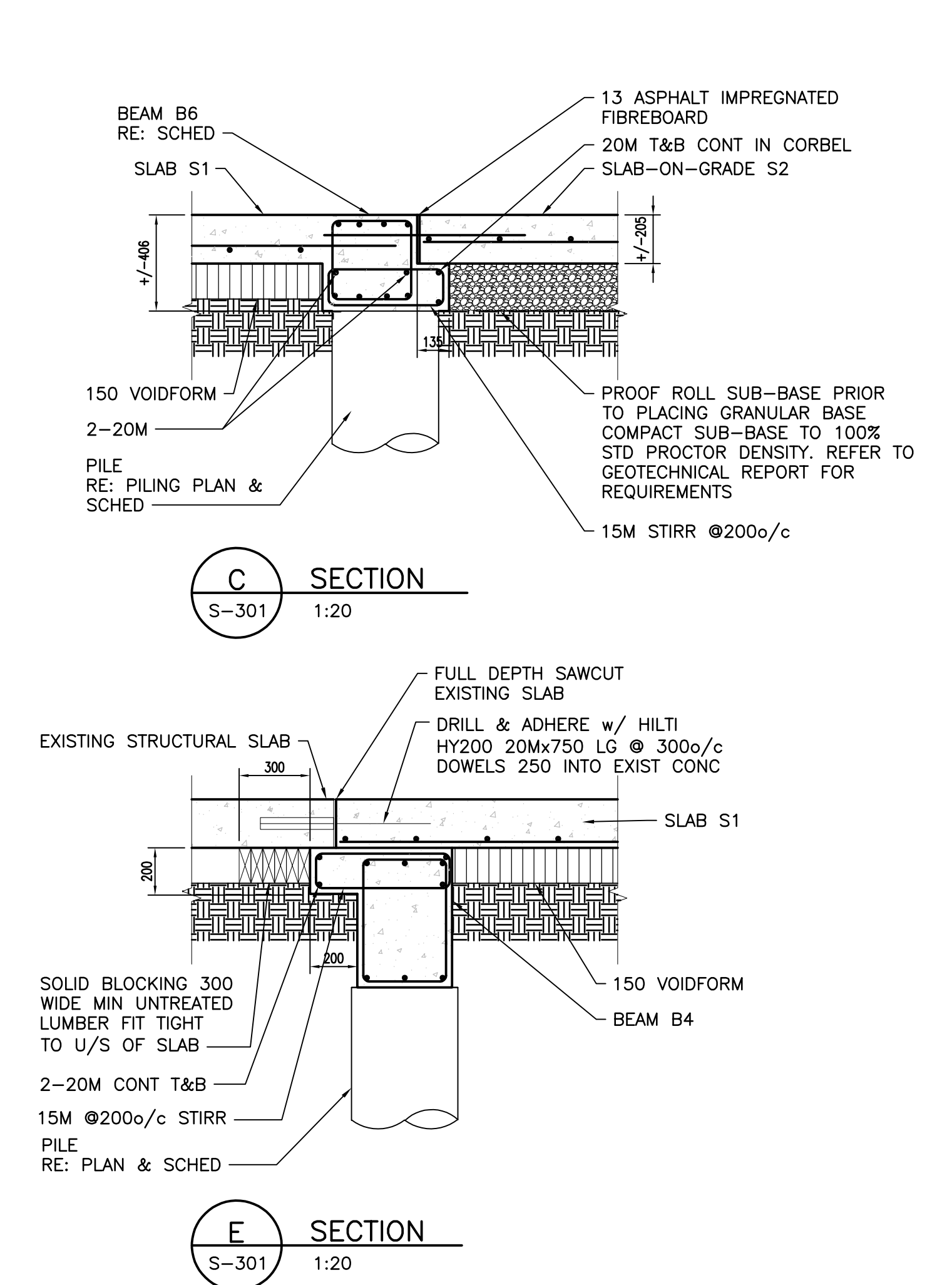
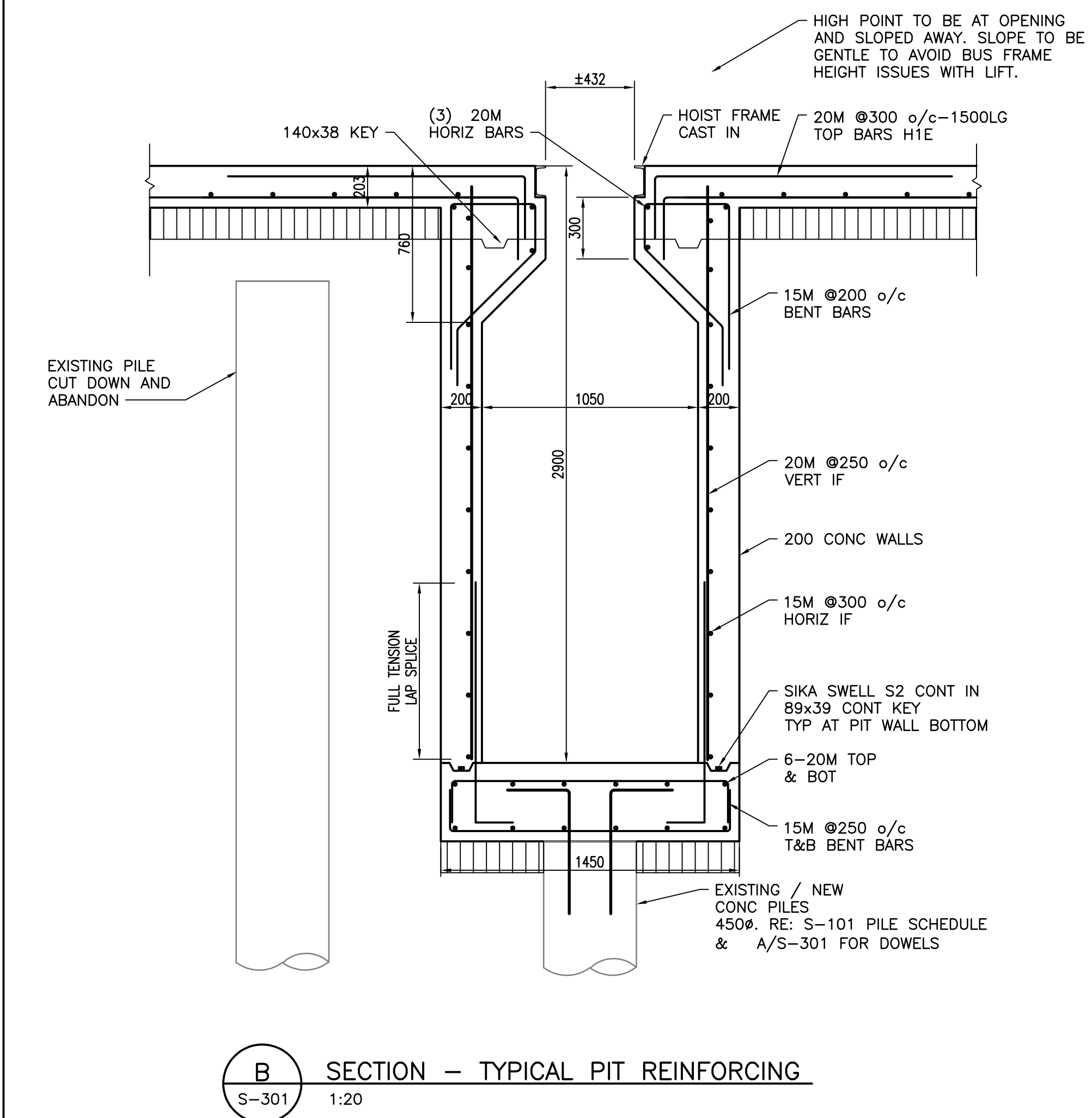
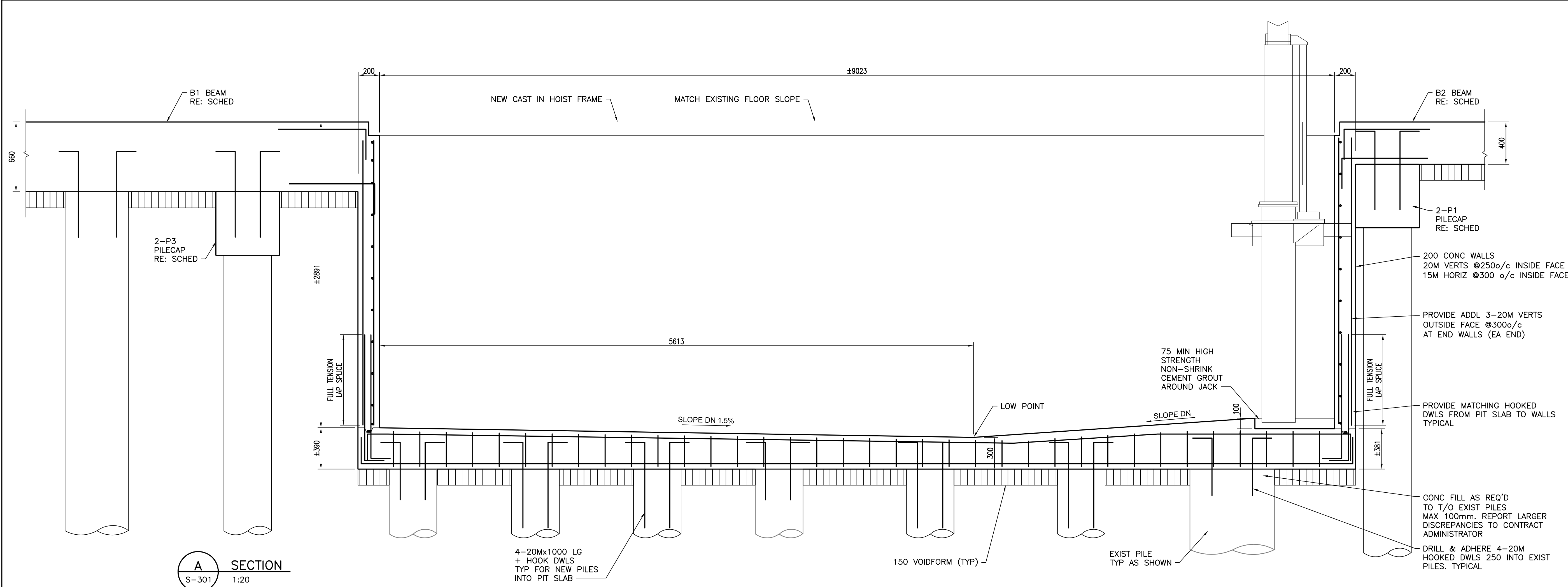
ENGINEERS GEOSCIENTISTS
 MANITOBA
 Certificate of Authorization
 Stantec Consulting Ltd.
 No. 1301



Client/Project
WINNIPEG TRANSIT GARAGE BUILDING
 HOIST REPLACEMENT PROGRAM
 PHASE 2 - HOISTS 8 - 12
 421 Osborne Street, Winnipeg Manitoba

Title
SECTIONS AND DETAILS

Project No. 115420037 Scale
 Drawing No. Sheet Revision



\\Cap045\projects\115420037\working\115420037_03_structural\02_con\03_pier\2021_07_13.dwg s-301
 2021/07/12 10:07 PM by: mrodrigues