

Copyright Reserved  
 The Contractor shall verify and be responsible for all dimensions.  
 DO NOT scale the drawing - any errors or omissions shall be reported  
 to Stantec without delay.  
 The Copyrights to all designs and drawings are the property of Stantec.  
 Reproduction or use for any purpose other than that authorized by  
 Stantec is forbidden.

Consultants

Legend

Notes

5			
4			
3			
2			
1			
Revision	By	Appd.	YY.MM.DD
E			
D			
C			
B	IR	SB	2021.07.13
A	IR	SB	2021.06.23
Issued	By	Appd.	YY.MM.DD
File Name:	20037_s-301		21.06.23
	Dwn.	Chkd.	Dsgn.
			YY.MM.DD

Permit-Seal

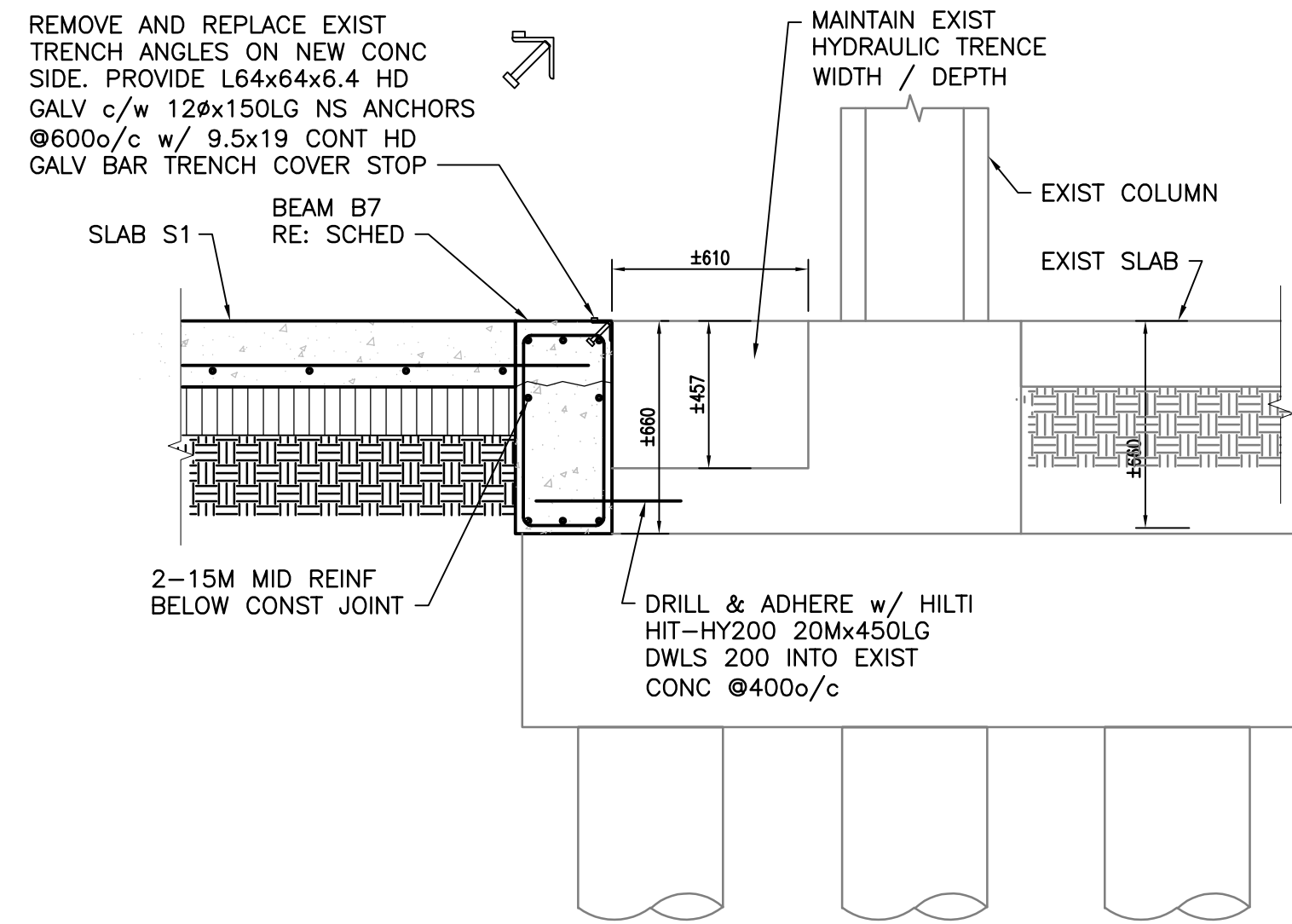


Client/Project  
 WINNIPEG TRANSIT  
 GARAGE BUILDING  
 HOIST REPLACEMENT PROGRAM  
 PHASE 2 - HOISTS 8 - 12  
 421 Osborne Street, Winnipeg Manitoba

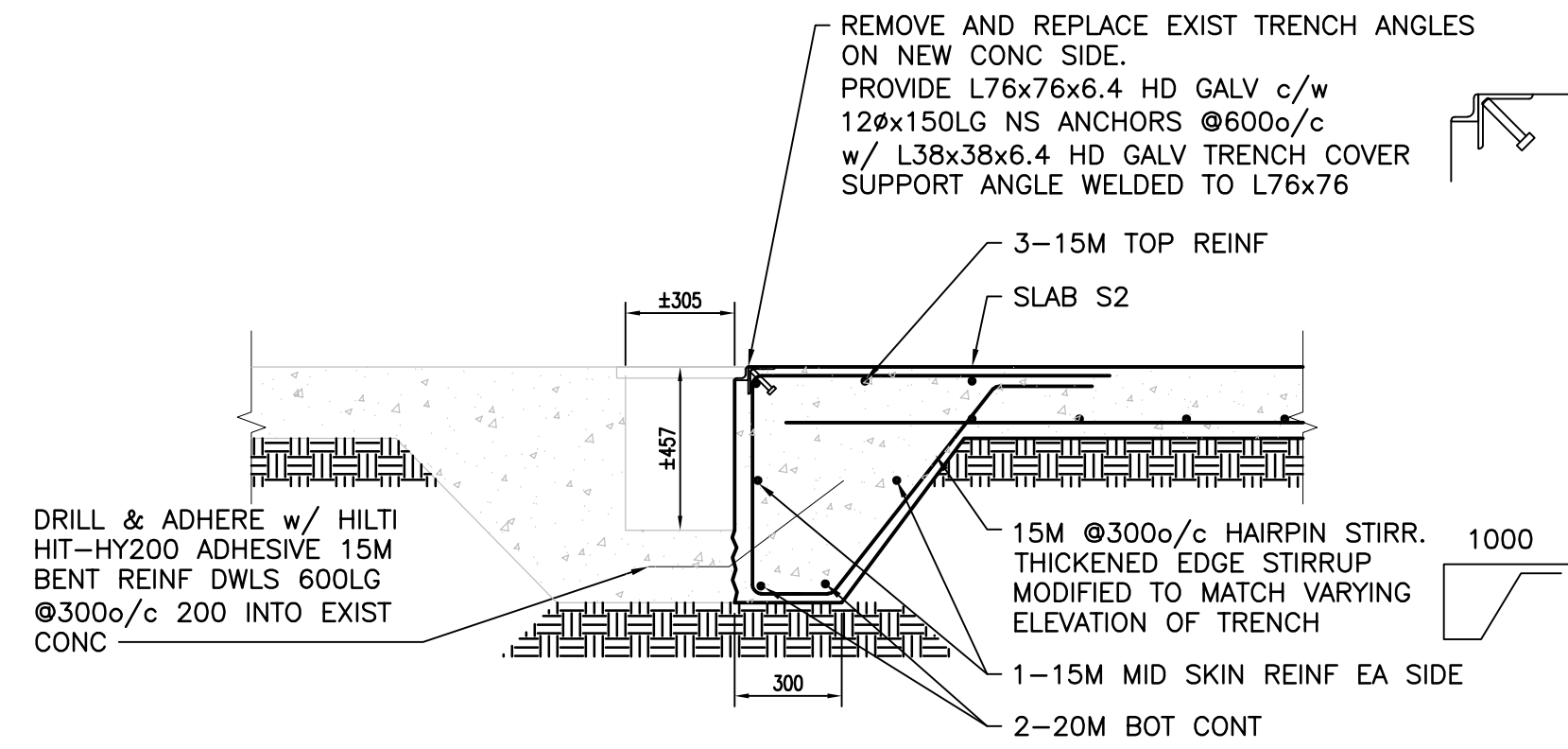
Title  
 SECTIONS AND DETAILS

Project No.	Scale
115420037	
Drawing No.	Sheet
	Revision

439-2021 S-302 of 0



**G** SECTION  
 S-302 1:20



**H** DRAINAGE TRENCH SECTION  
 S-302 1:20