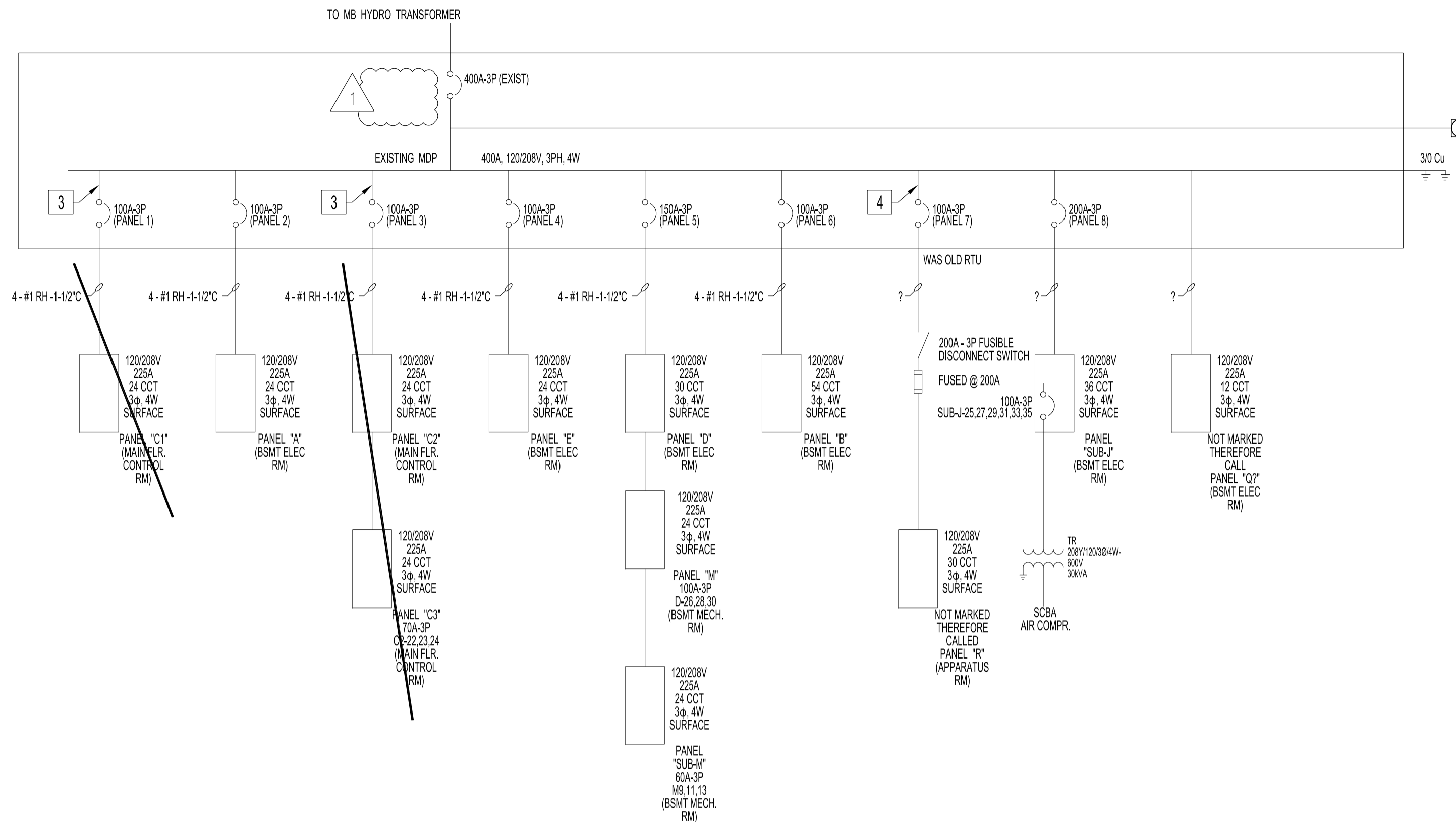


ELECTRICAL NOTES: "X"

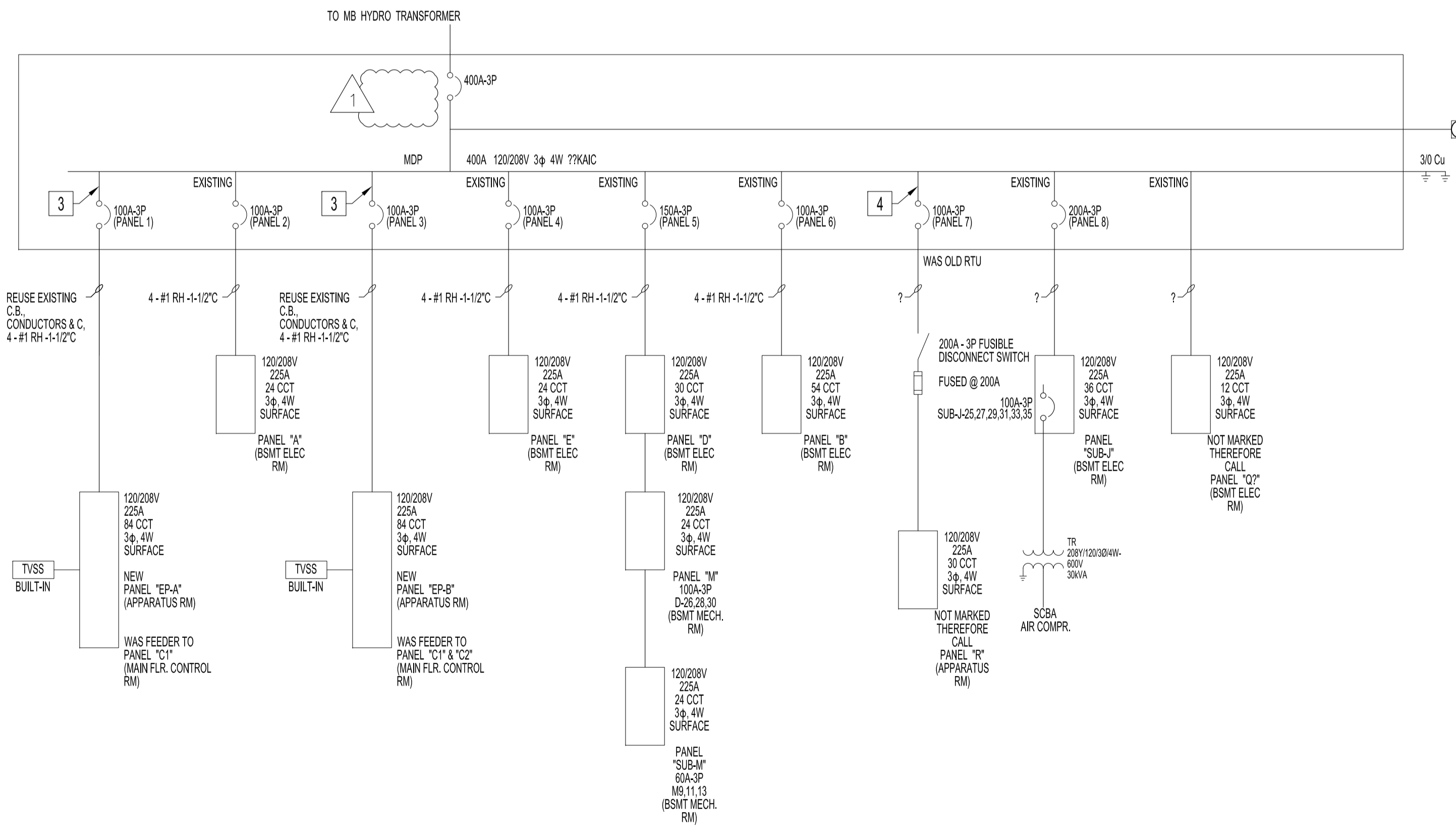
- ALSO SEE NOTES & SPECIFICATIONS.
1. PROVIDE COMPLETE SHORT CIRCUIT COORDINATION STUDY TO INCLUDE FAULT CURRENT COORDINATION & KA RATING OF MAIN 400A DISTRIBUTION PANELS "EP-A", "EP-B" & "R".
  2. IF REQUIRED FROM STUDY & CODE REQUIREMENTS, PROVIDE A NEW 400A-3P-100% RATED MAIN BREAKER & LSI SETTING. ALSO INCLUDE ALL NECESSARY COMPONENTS TO MEET CODE REQUIREMENTS.
  3. REFER TO SINGLE LINE DIAGRAM - RENOVATION. PROVIDE RE-CIRCUITING FROM COMPONENTS CLOSEST JUNCTION BOX TO NEW PANEL.
  4. DEMO PANELS "C1", "C2" & "C3" NORMAL POWER RE-CIRCUITING SHALL BE TO PANEL "NP-A" (WAS "R"), REFER TO PANEL SCHEDULES.
    - 4.1. NEW PANELS "EP-A", "EP-B" EMERGENCY POWER RE-CIRCUITING AS SHOWN ON PANEL SCHEDULES.

GENERAL NOTES:



SINGLE LINE DIAGRAM - EXISTING (BEFORE ELECTRICAL SERVICE UPGRADE)

ALL COMPONENTS SHOWN ARE EXISTING, UNLESS OTHERWISE NOTED.



SINGLE LINE DIAGRAM - RENOVATION - (BEFORE ELECTRICAL SERVICE UPGRADE)

ALL COMPONENTS SHOWN ARE EXISTING, UNLESS OTHERWISE NOTED.

1	ISSUED FOR ADDENDUM 3, DELETED ELECTRICAL NOTES 1 & 2.	DTA	2021
0	ISSUED FOR CONSTRUCTION	DTA	2021
000	ISSUED FOR CLASS 3 ESTIMATE	DTA	2021

No.	REVISION/DESCRIPTION	BY	DATE
-----	----------------------	----	------



DRAWN	CHECKED	DESIGNED	APPROVED
DTA	DTA	DTA	DTA
DATE: 2021.10.15	USER APPROVAL		

THE CITY OF WINNIPEG  
 PLANNING, PROPERTY AND  
 DEVELOPMENT DEPARTMENT  
 MUNICIPAL ACCOMMODATIONS DIVISION  
 3-65 GARRY STREET, R3C 4K4

PROJECT  
 WINNIPEG FIRE PARAMEDIC SERVICES  
 FIRE STATION #1  
 INTERIOR RENOVATIONS  
 65 ELLEN STREET BID OPP: 535-2021

SHEET TITLE  
 ELECTRICAL  
 SINGLE LINE DIAGRAM

SCALE	PROJECT No:	SHEET No:
AS SHOWN	2019-075/2019-150	E8.0-R1