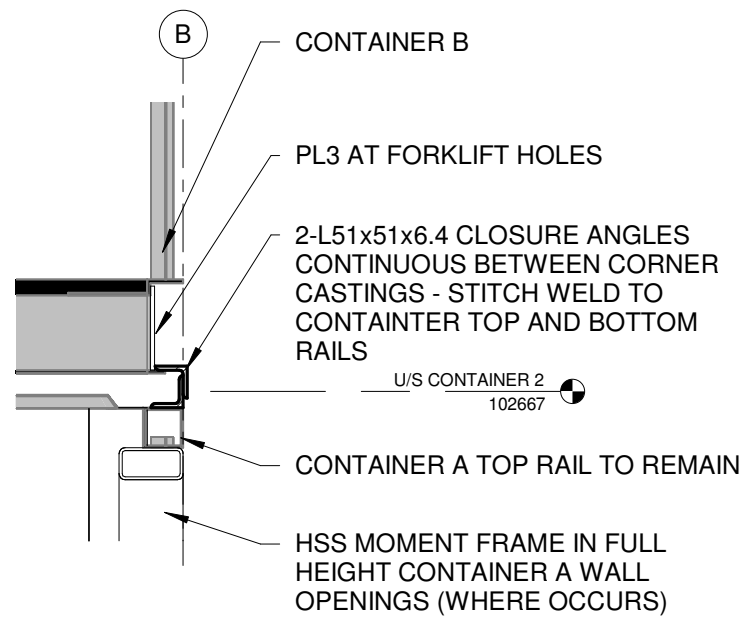


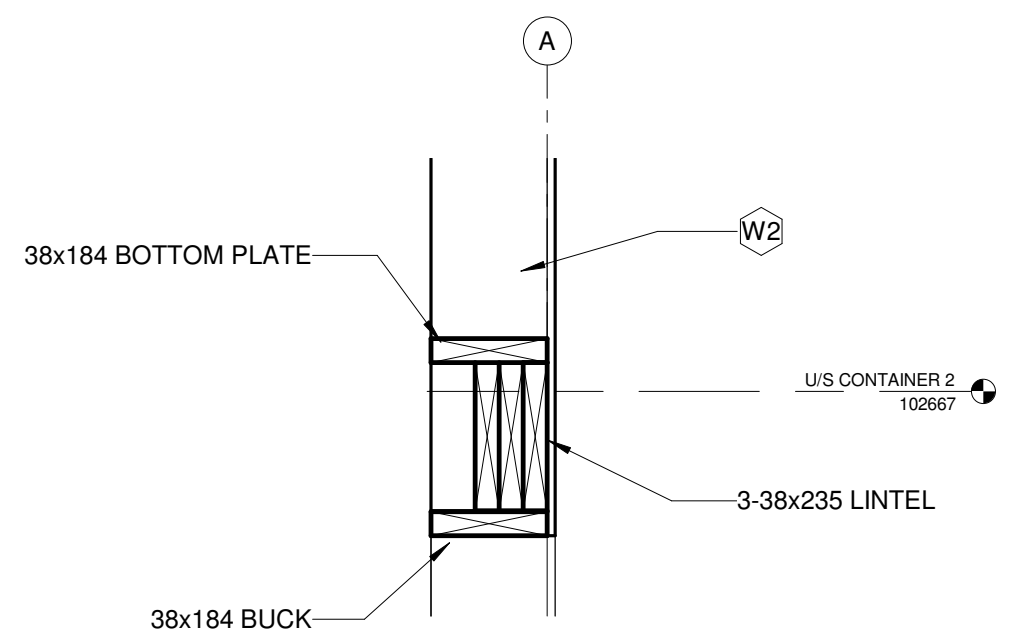
**1 THIRD FLOOR - GRID A**

S401 1 : 12



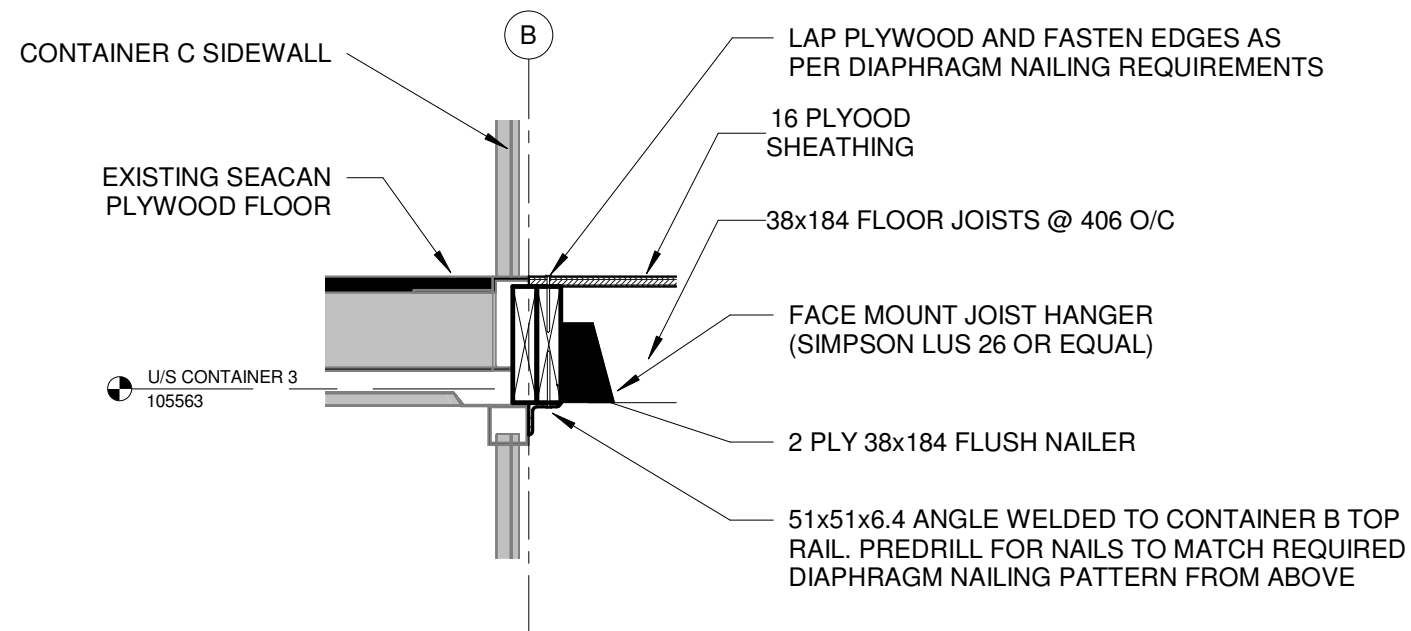
**2 CONTAINER CLOSURE - TYP**

S401 1 : 12



**3 OVERHEAD DOOR LINTEL**

S401 1 : 12



**4 THIRD FLOOR - GRID B**

S401 1 : 12

**ENGINEERS  
GEOSCIENTISTS  
MANITOBA**

Certificate of Authorization  
SWP Projects Ltd.  
No. 6036 Expiry: April 30, 2021

PROVINCE OF MANITOBA  
**D. R. POOLE**  
03-04-2021  
Member  
24613  
REGISTERED PROFESSIONAL ENGINEER



**SWP PROJECTS LTD.**

678 MAIN STREET - 2ND FLR WINNIPEG, MB R3B 1E4

(P) 204.586.3636  
(C) 204.330.2611  
(E) david@totalprojectmgmt.ca

**715 MAIN STREET PUBLIC TOILET**

THE CITY OF WINNIPEG

BID OPPORTUNITY 54-2021

No.	Description	Date
1	ISSUED FOR CONSTRUCTION	21-03-04

**SECTIONS AND DETAILS**

Project number	20-104
Date	2021-03-04
Drawn by	DP
Checked by	DP

**S401**

Scale 1 : 12