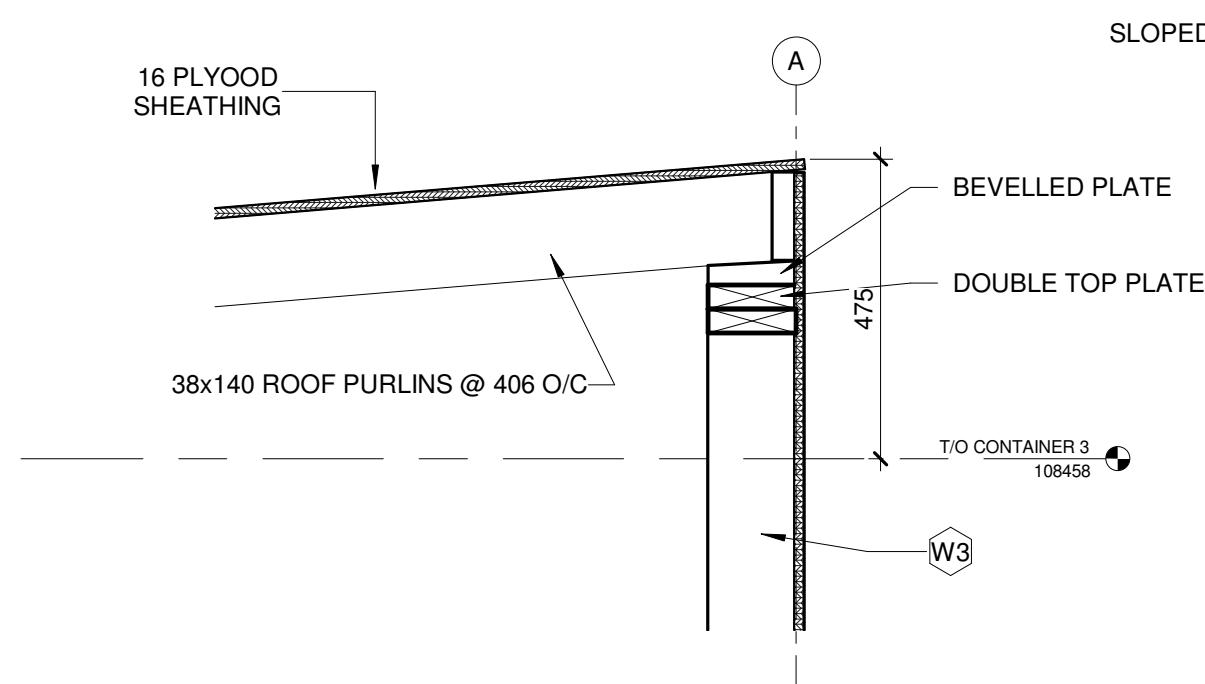
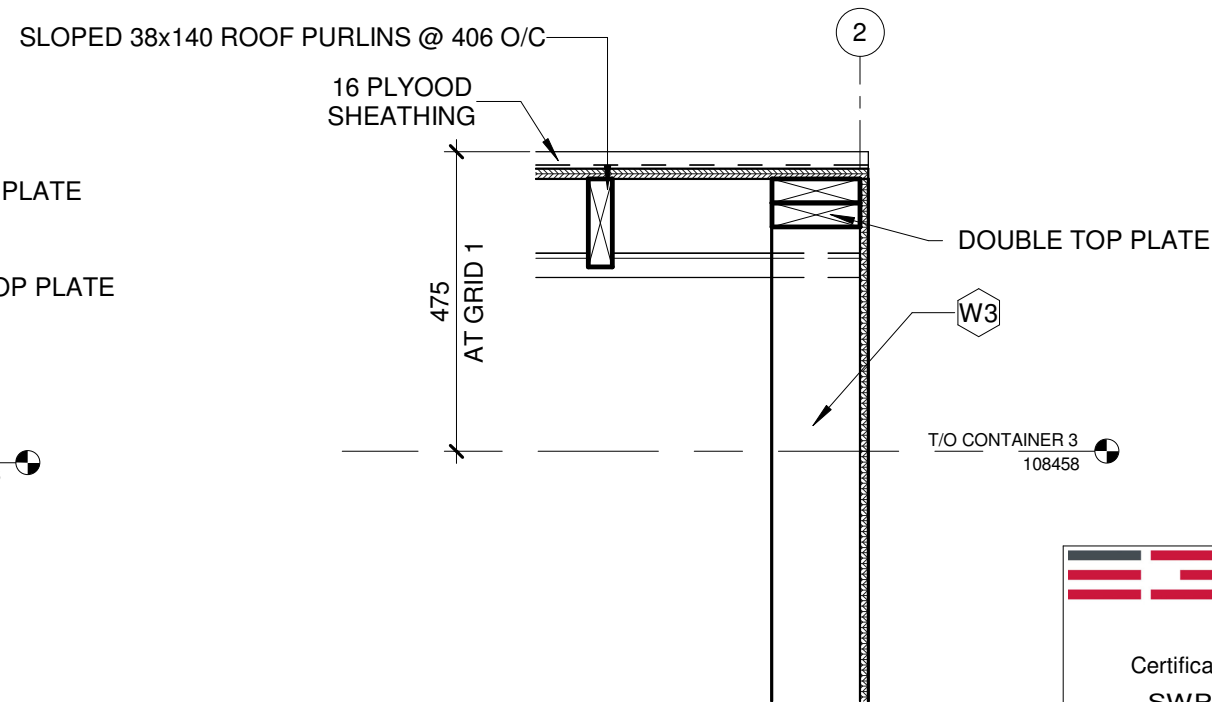


1 ROOF SECTION - LOW SIDE
S402 1 : 12

2 ROOF SECTION - GRID B
S402 1 : 12



3 ROOF SECTION - HIGH SIDE
S402 1 : 12



4 WOOD SIDEWALL - ROOF
S402 1 : 12

**ENGINEERS
GEOSCIENTISTS
MANITOBA**

Certificate of Authorization
SWP Projects Ltd.
No. 6036 Expiry: April 30, 2021



SWP PROJECTS LTD.
678 MAIN STREET - 2ND FLR WINNIPEG, MB R3B 1E4
(P) 204.586.3636
(C) 204.330.2611
(E) david@totalprojectmgmt.ca

715 MAIN STREET PUBLIC TOILET
THE CITY OF WINNIPEG
BID OPPORTUNITY 54-2021

No.	Description	Date
1	ISSUED FOR CONSTRUCTION	21-03-04

SECTIONS AND DETAILS

Project number	20-104	S402
Date	2021-03-04	
Drawn by	DP	
Checked by	DP	
Scale 1 : 12		