

SHORT FACE CLOSURE ANGLE - CONTINUOUS WELD TO LOWER CONTAINER ON EXTERIOR SIDE OF BOTTOM LEG. SET BACK FROM -ND AS REQUIRED TO ACCOMODATE UPPER -ND FRAME

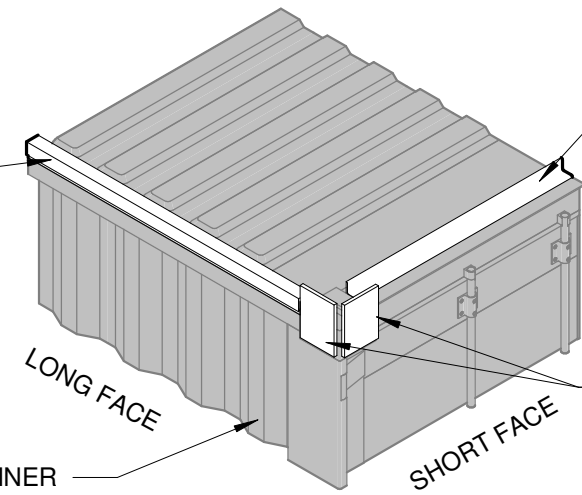
LOWER CONTAINER

SHORT FACE

LONG FACE

LONG FACE CLOSURE ANGLE - LOWER ANGLE INSTALLATION RECOMMENDED PRIOR TO STACKING CONTAINER ON TOP. WELD CONTINUOUSLY TO LOWER CONTAINER ON EXTERIOR FACE OF BOTTOM LEG

PL1 PLATES WELDED TO CORNER CASTING



SHORT FACE CLOSURE ANGLE - CONTINUOUS WELD TO LOWER CONTAINER ON EXTERIOR SIDE OF BOTTOM LEG. SET BACK FROM -ND AS REQUIRED TO ACCOMODATE UPPER -ND FRAME

LOWER CONTAINER

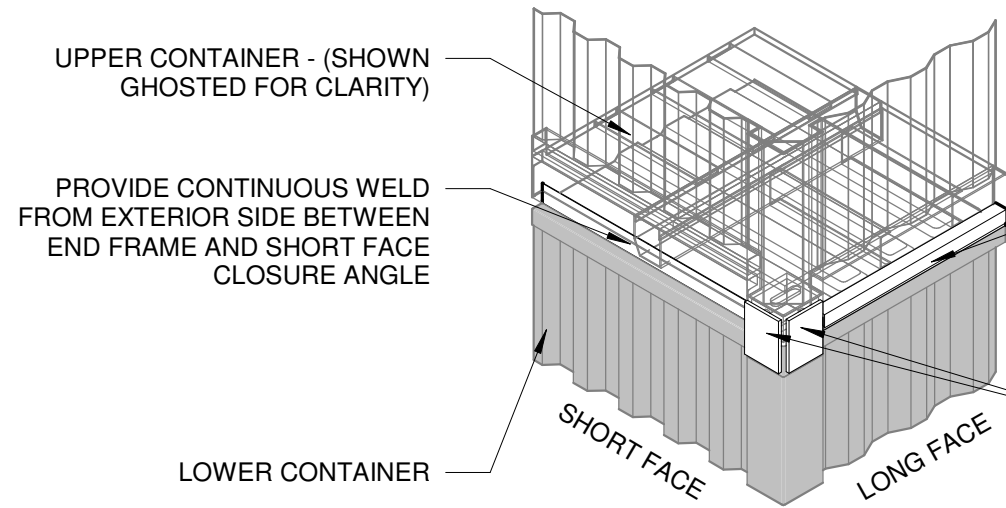
LONG FACE

SHORT FACE

PL1 PLATES WELDED TO CORNER CASTING

**1 GRID 1 - CONTAINER TO CONTAINER - STAGE 1 - TYP.**

S902



UPPER CONTAINER - (SHOWN GHOSTED FOR CLARITY)

PROVIDE CONTINUOUS WELD FROM EXTERIOR SIDE BETWEEN END FRAME AND SHORT FACE CLOSURE ANGLE

LOWER CONTAINER

SHORT FACE

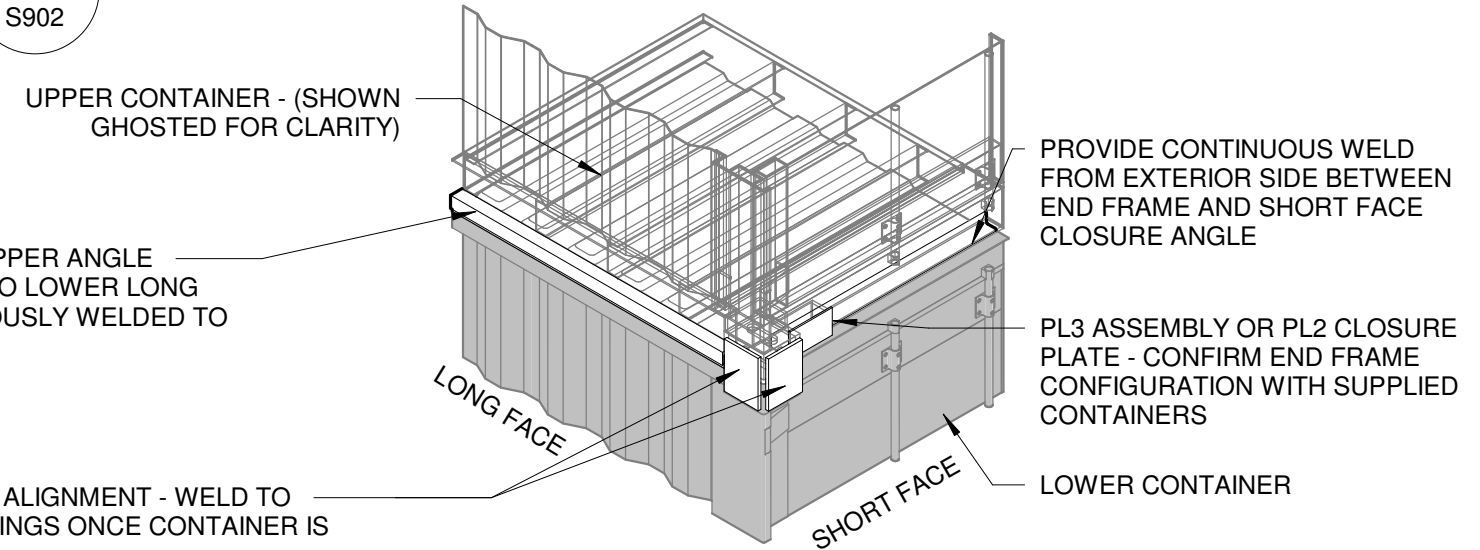
LONG FACE

LONG FACE CLOSURE ANGLES - UPPER ANGLE INSTALLED AND STITCH WELDED TO LOWER LONG FACE CLOSURE ANGLE, CONTINUOUSLY WELDED TO UPPER CONTAINER BOTTOM RAIL

PL1 PLATES ASSIST IN CONTAINER ALIGNMENT - WELD TO UPPER CONTAINER CORNER CASTINGS ONCE CONTAINER IS LANDED

**3 GRID 2 - CONTAINER TO CONTAINER - STAGE 1 - TYP.**

S902



UPPER CONTAINER - (SHOWN GHOSTED FOR CLARITY)

PROVIDE CONTINUOUS WELD FROM EXTERIOR SIDE BETWEEN END FRAME AND SHORT FACE CLOSURE ANGLE

PL3 ASSEMBLY OR PL2 CLOSURE PLATE - CONFIRM END FRAME CONFIGURATION WITH SUPPLIED CONTAINERS

LOWER CONTAINER

LONG FACE

SHORT FACE

**2 GRID 1 - CONTAINER TO CONTAINER - STAGE 2 - TYP.**

S902

**4 GRID 2 - CONTAINER TO CONTAINER - STAGE 2 - TYP.**

S902

**ENGINEERS  
GEOSCIENTISTS  
MANITOBA**

Certificate of Authorization  
SWP Projects Ltd.  
No. 6036 Expiry: April 30, 2021

PROVINCE OF MANITOBA  
**D. R. POOLE**  
03-04-2021  
Member  
24613  
REGISTERED PROFESSIONAL ENGINEER



**SWP PROJECTS LTD.**  
678 MAIN STREET - 2ND FLR WINNIPEG, MB R3B 1E4  
(P) 204.586.3636  
(C) 204.330.2611  
(E) david@totalprojectmgmt.ca

**715 MAIN STREET PUBLIC TOILET**

THE CITY OF WINNIPEG

BID OPPORTUNITY 54-2021

No.	Description	Date
1	ISSUED FOR CONSTRUCTION	21-03-04

**3-D DETAILS**

Project number	20-104	<b>S902</b>
Date	2021-03-04	
Drawn by	DP	
Checked by	DP	
Scale		