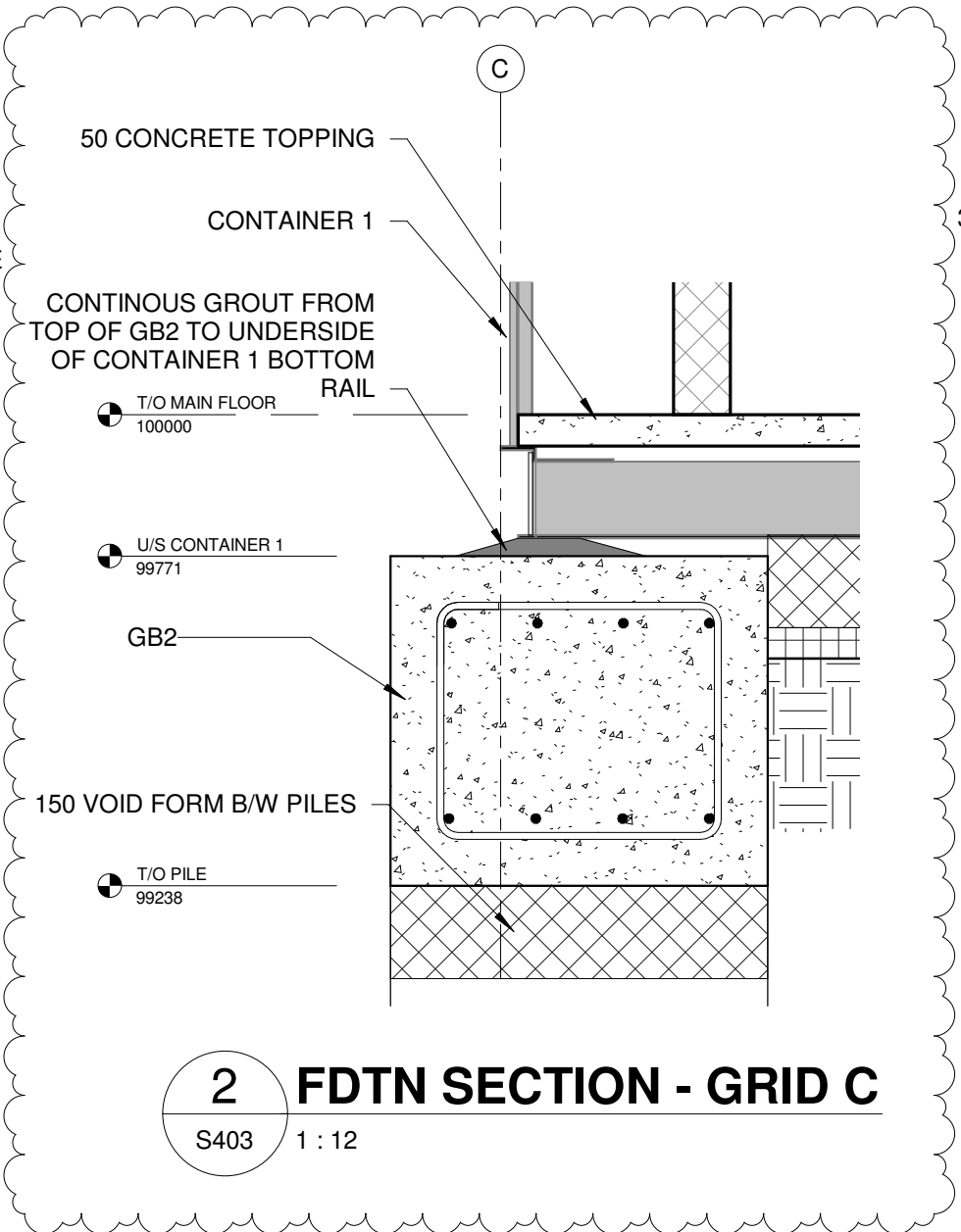
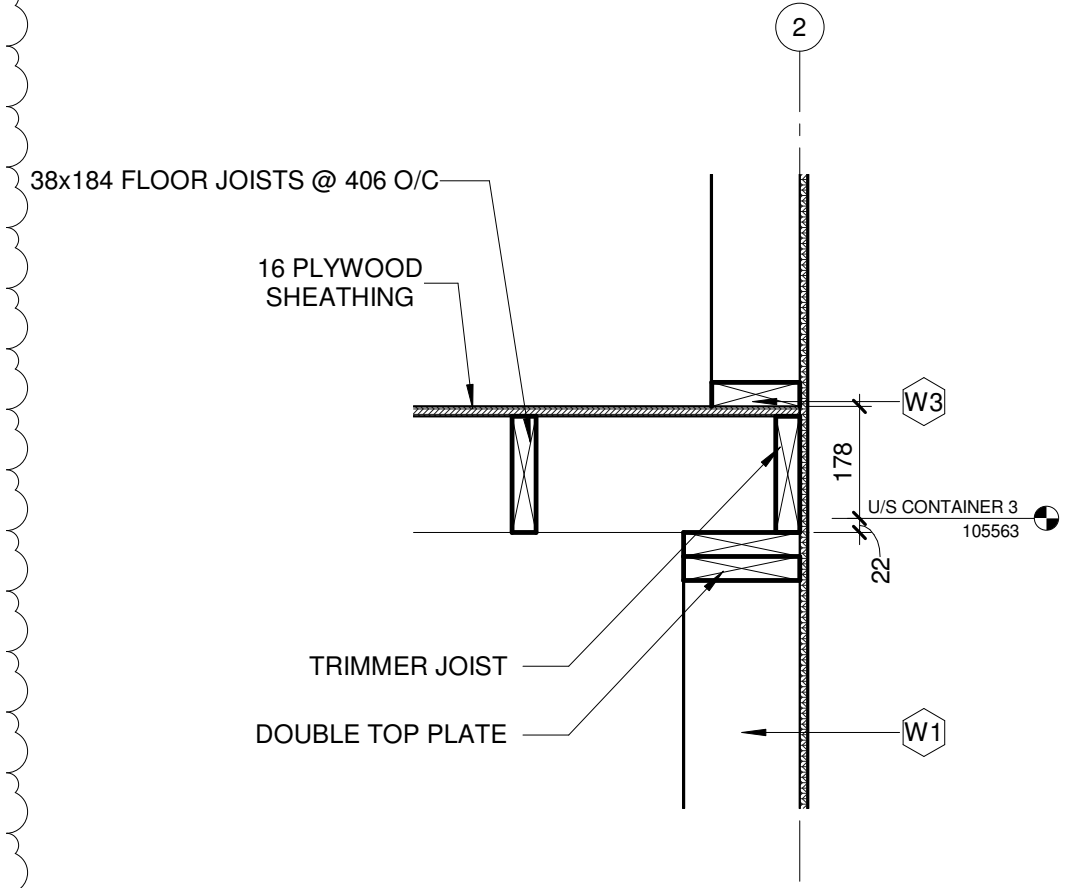


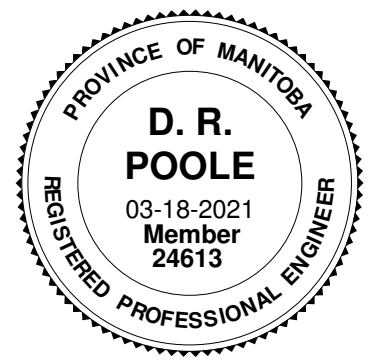
1 FDTN SECTION - GRID A
S403 1 : 12



2 FDTN SECTION - GRID C
S403 1 : 12



3 WOOD SIDEWALL - 3RD FLOOR
S403 1 : 12



SWP PROJECTS LTD.
678 MAIN STREET - 2ND FLR WINNIPEG, MB R3B 1E4
(P) 204.586.3636
(C) 204.330.2611
(E) david@totalprojectmgmt.ca

715 MAIN STREET PUBLIC TOILET
THE CITY OF WINNIPEG
BID OPPORTUNITY 54-2021

No.	Description	Date
1	ISSUED FOR CONSTRUCTION	21-03-04
2	ROOF REVISION	21-03-18

SECTIONS AND DETAILS		S403
Project number	20-104	
Date	2021-03-18	
Drawn by	Author	
Checked by	Checker	Scale 1 : 12