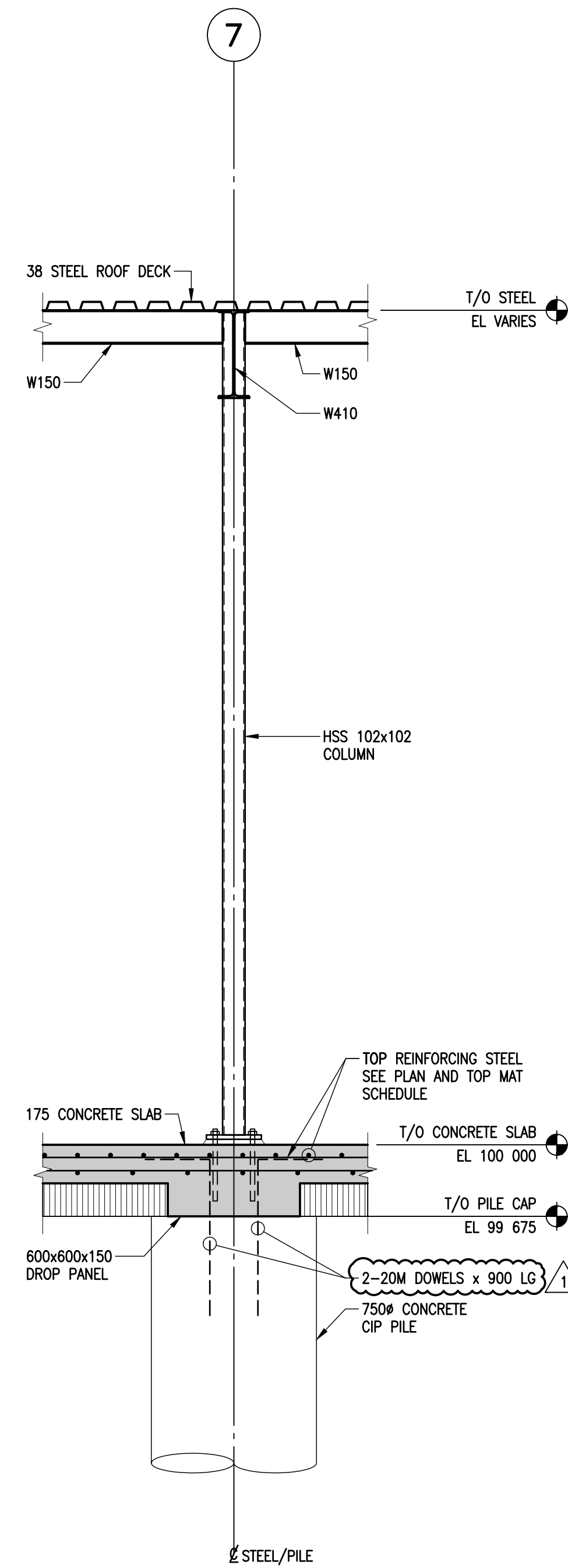
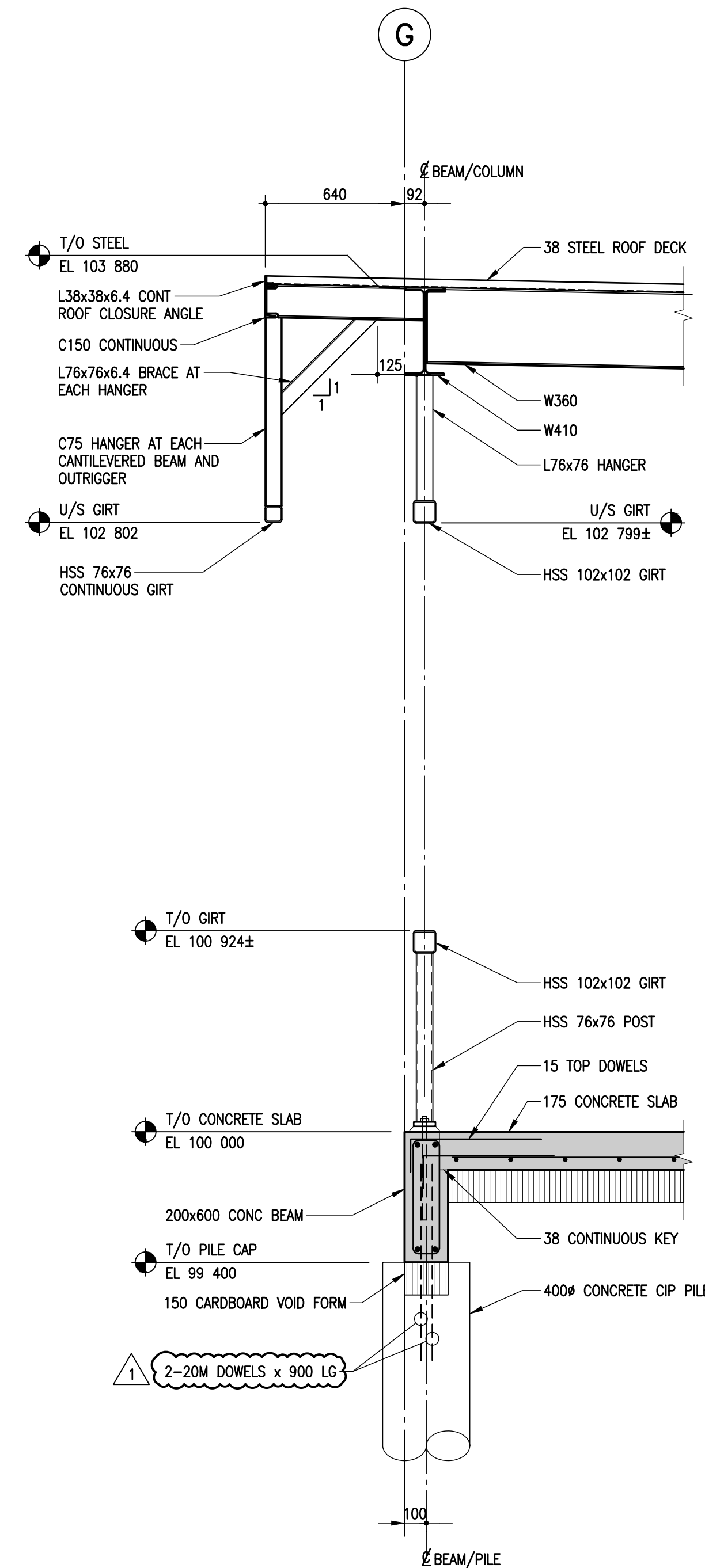


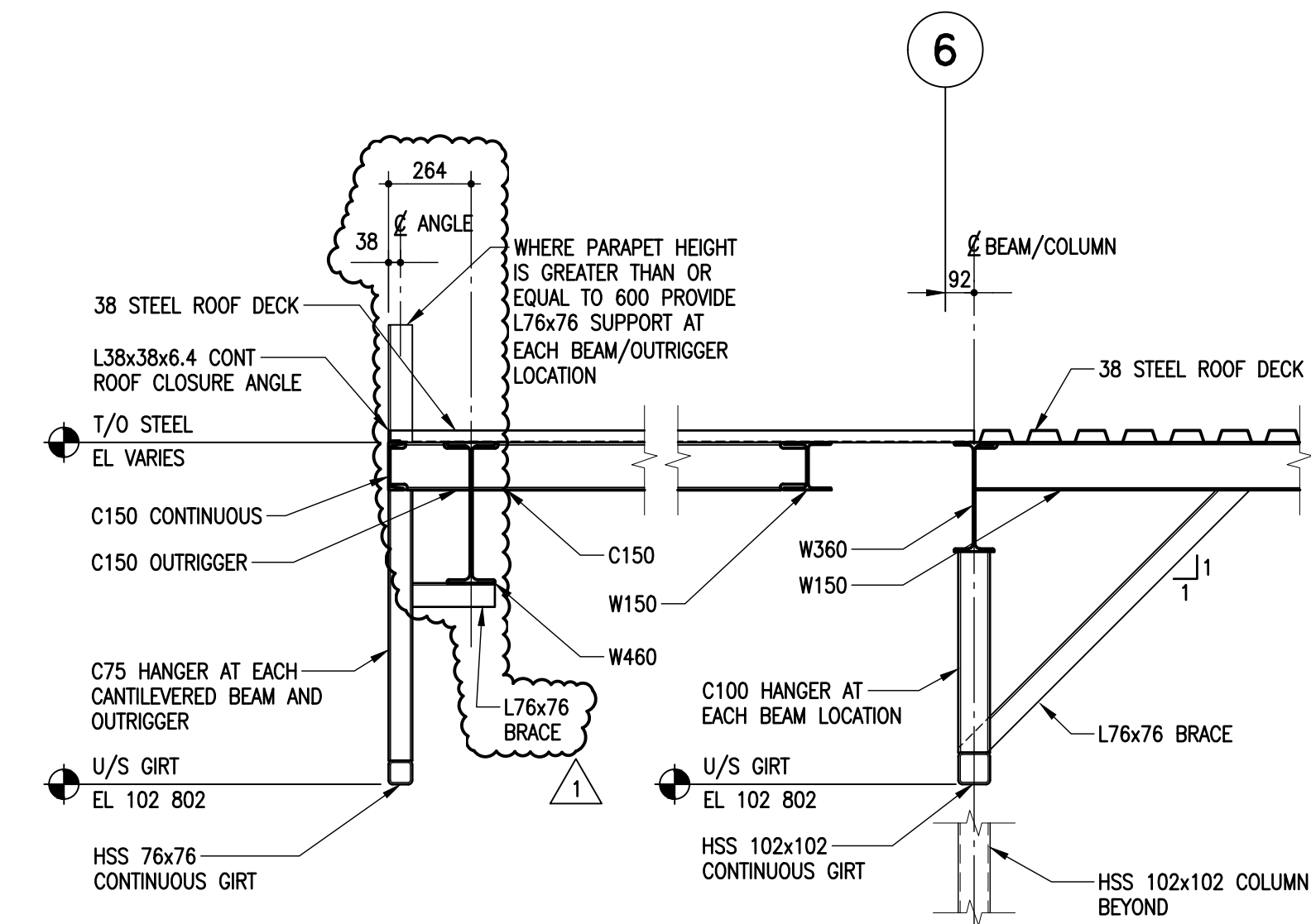
ORIGINAL DRAWING
SEALED BY
B. FLISAK
AND DATED
2021-10-29



1 SECTION
S2.1 S4.2 1:20



2 SECTION
S2.1 S4.2 1:20



3 SECTION
S2.1 S4.2 1:20

| NO. | DATE | REVISION / ISSUANCE |
|-----|----------|---------------------------|
| 3 | - | - |
| 2 | - | - |
| 1 | 21.12.13 | - ISSUED FOR ADDENDUM #2 |
| 0 | 21.10.29 | - ISSUED FOR CONSTRUCTION |

Architect
| x | architecture inc.
100 Fort Street, Suite 109 Winnipeg, Manitoba R3C 1C7 204 318 2010

300-275 Carlton Street
Winnipeg, Manitoba R3C 5R6
T 204. 943. 7501
F 204. 943. 7507
2021-0367
**Crosier Kilgour
& Partners Ltd.**
CONSULTING STRUCTURAL ENGINEERS

Project
**ST. VITAL PARK
GARAGE & STAFF HOUSE**
190 RIVER ROAD

Sheet Title
SECTIONS

| Project No. | Sheet |
|-------------|-------------|
| 20105 | S4.2 |
| Date | R1 |
| 21.12.13 | |