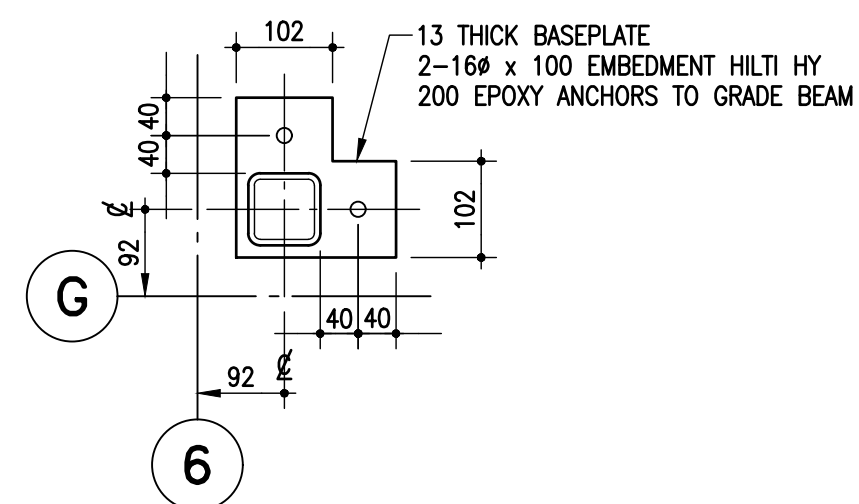


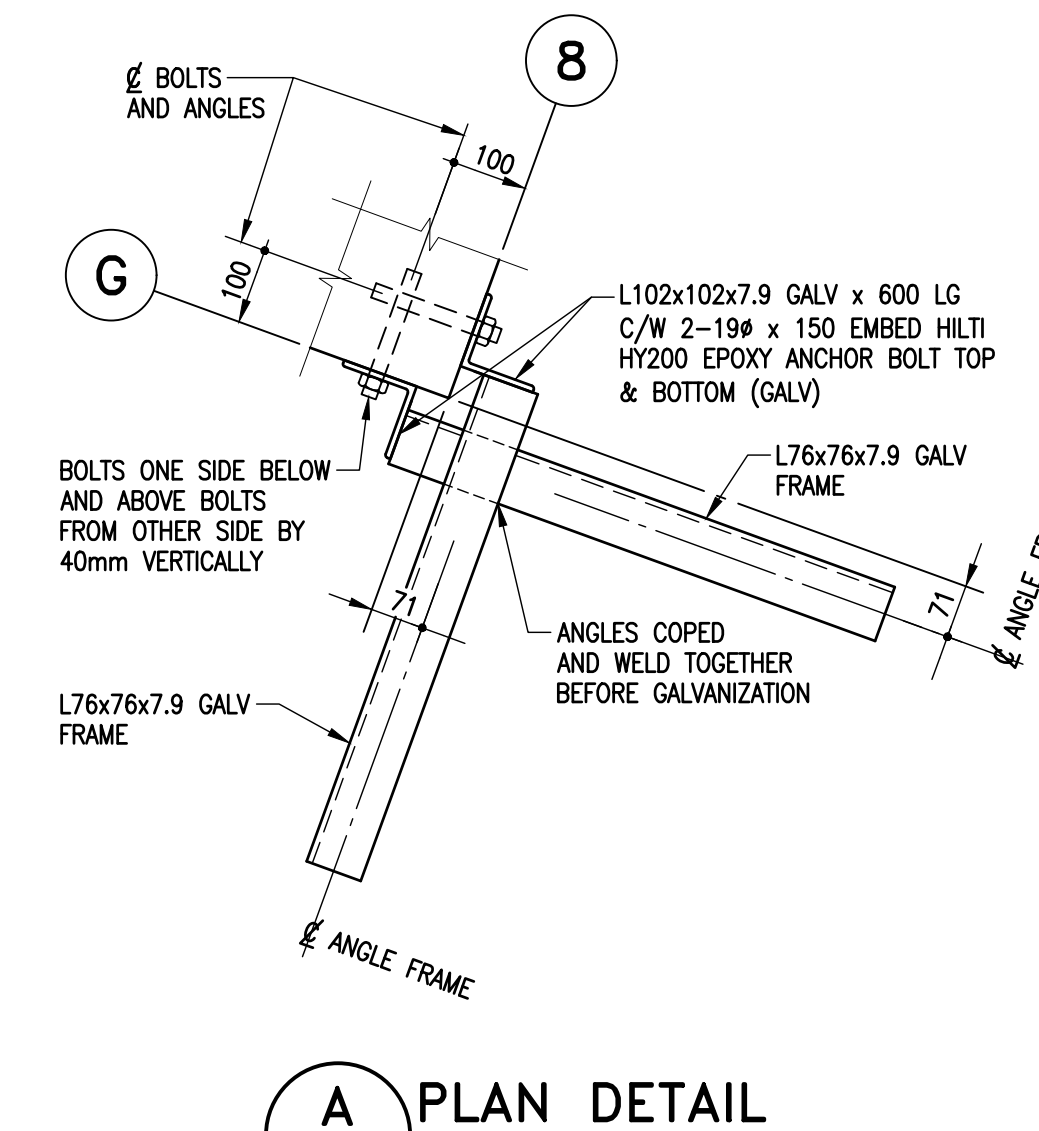
**MAIN FLOOR FRAMING AND
FOUNDATION PLAN KEYNOTES:**

- 1 DROP TOP OF BEAM AT DOOR, HOOK BEAM TOP REINFORCING DOWN, PROVIDE 2-25M ADDITIONAL BELOW DROP EXTENDED MINIMUM 1200 PAST DROP EACH END.
- 2 APRON SLAB SUPPORT WITH 50 GAP AT CURTAIN WALL LOCATIONS.
- 3 DISCONTINUE STEEL ANGLE SLAB SUPPORT AT OH DOORS. PROVIDE 40 DEEP KEY FOR EXTERIOR SLAB SUPPORT C/W 15M DOWELS @ 300 O/C MID-HEIGHT OF SLAB.
- 4 BELOW GRADE OIL-INTERCEPTOR PIT WITH FLUSH COVER. SEE MECHANICAL.
- 5 SLOPE TOP OF CONCRETE TO DRAIN. SEE ARCHITECTURAL DRAWINGS.
- 6 CAST GRADE BEAM TO UNDERSIDE OF SLAB ELEVATION AND THEN POUR SLAB CONTINUOUS OVER.
- 7 200 CONCRETE SLAB ON 150 CARDBOARD SHEARMAT. 15M @ 150 O/C EACH WAY TOP AND BOTTOM.
- 8 L76x76 GALVANIZED BRACKET ASSEMBLY SIMILAR TO TYPICAL EXCEPT VERTICAL ANGLE TO BE BOLTED TO FACE OF WALL ON GRID D. SEE DETAIL A/S2.1 FOR SIMILAR NOTE: FACE OF GRADE BEAM TO CENTERLINE OF L76 = 52mm.
- 9 L76x76 GALVANIZED BRACKET ASSEMBLY SIMILAR TO TYPICAL EXCEPT TWO PERPENDICULAR BRACKETS WELDED TOGETHER, WITH VERTICAL ANGLES TO BE BOLTED TO FACE OF WALLS ON GRIDS 8 AND G. SEE DETAIL A/S2.1.
- 10 2-15M TOP EACH WAY AROUND PIT COVER. EXTEND MINIMUM 1200 PAST EDGE OF COVER.
- 11 TOP OF BEAM 200 ABOVE CONCRETE SLAB TO FORM 200 CURB.
- 12 BOLLARD. SEE ARCHITECTURAL DRAWINGS FOR EXACT LOCATIONS AND REFER TO TYPICAL DETAIL J/S1.2.
- 13 25 DEEP SAW CUT IMMEDIATELY AFTER SLAB FINISHING.
- 14 CONTINUOUS 10M DOWELS ACROSS BEAM LOCATION.
- 15 HSS76x76x6.4 POST FROM GRADE BEAM TO UNDERSIDE GIRTS BELOW WINDOW.

BASEPLATE DETAIL:



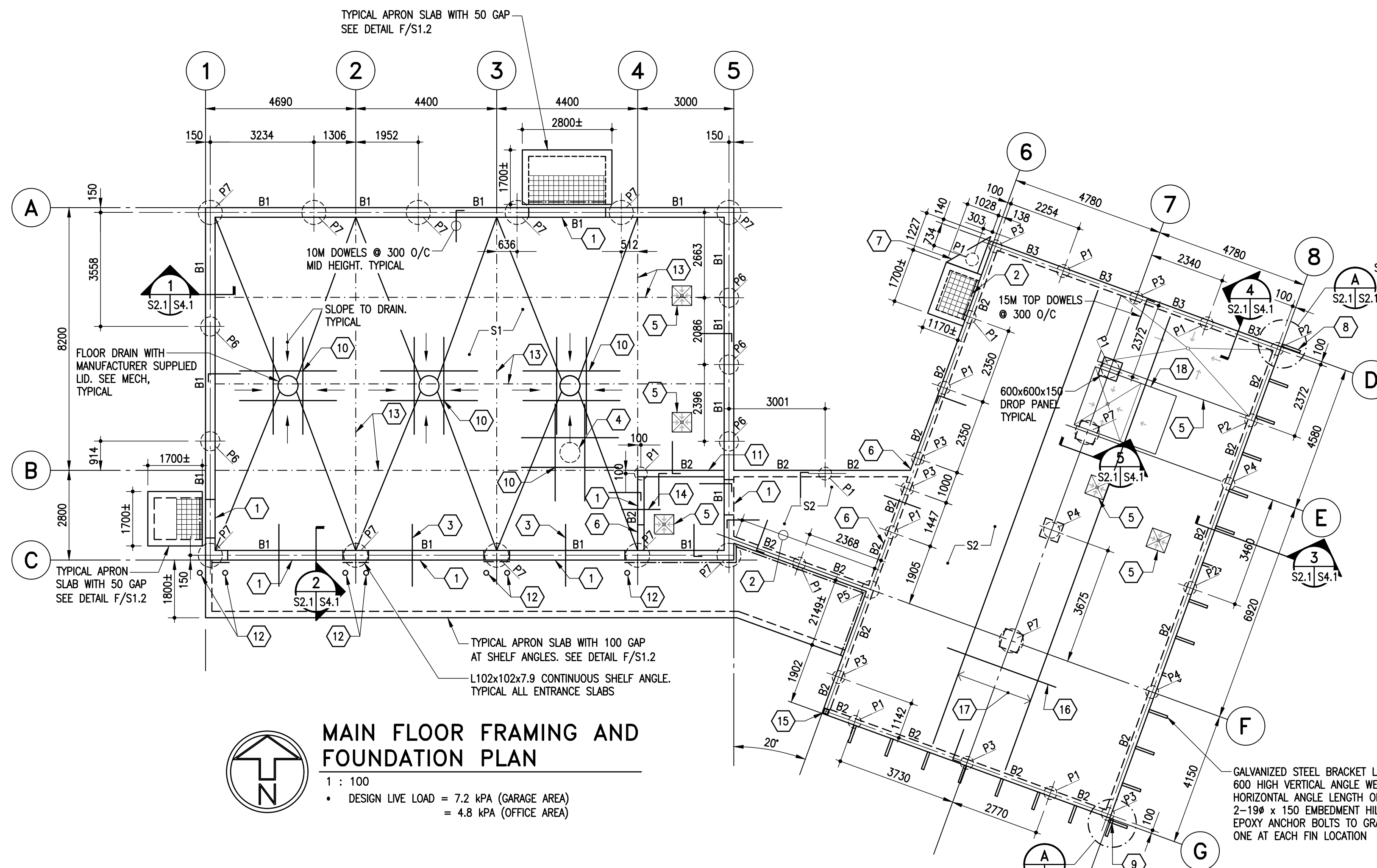
- 16 15M @ 100 O/C x 3600 LONG TOP UPPER LAYER FULL LENGTH OF SLAB.
- 17 24-15M @ 100 O/C TOP LOWER LAYER
- 18 IN AREA OF SHOWER DROP TOP AND BOTTOM OF SLAB AND REINFORCING TO FORM 35 DEPRESSION. COORDINATE EXACT EXTENT AND LOCATION WITH ARCHITECTURAL DRAWINGS.



A PLAN DETAIL
S2.1 S2.1 1:10

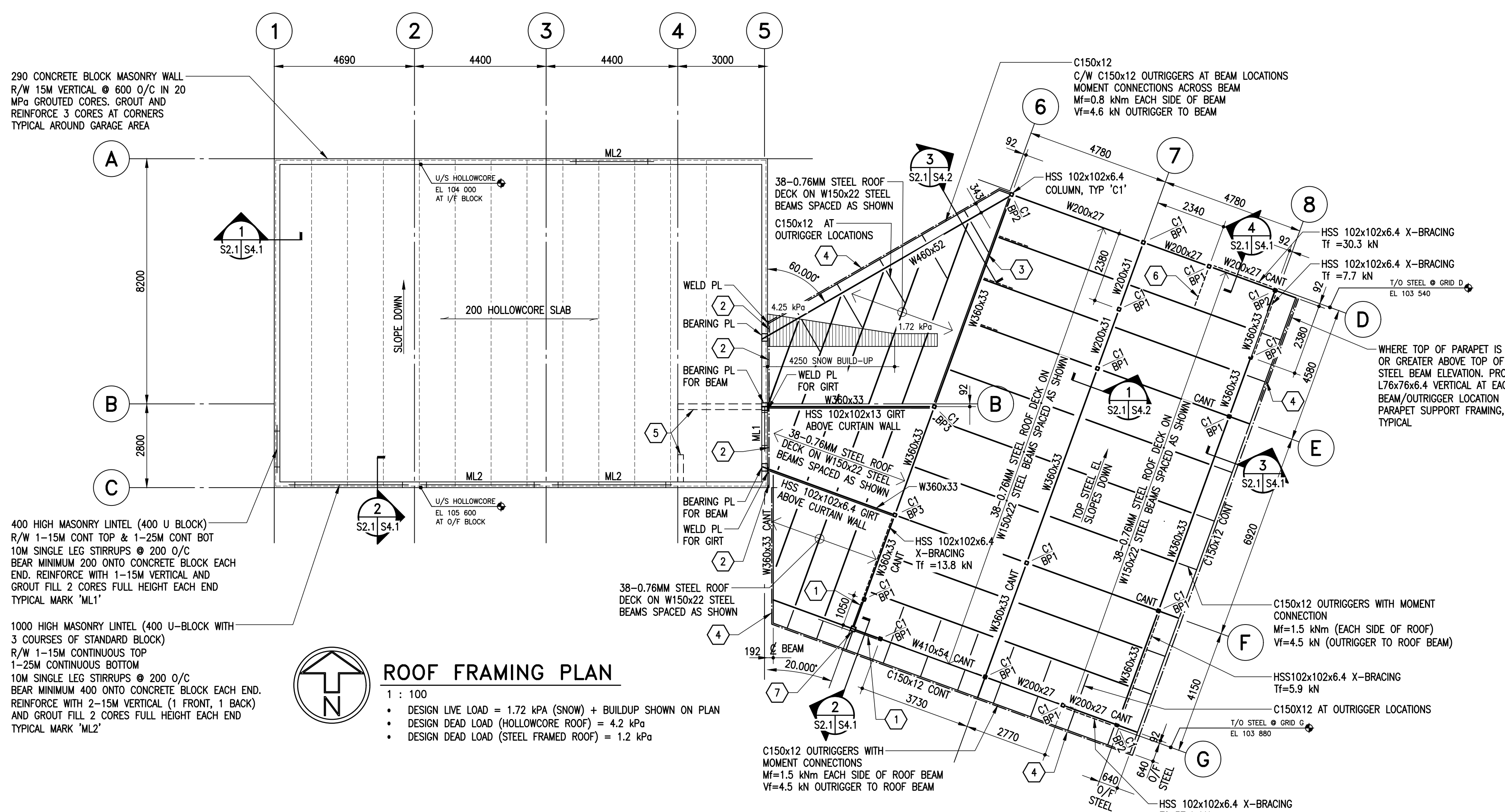
ROOF FRAMING PLAN KEYNOTES:

- 1 HSS102x102x6.4 GIRTS ABOVE AND BELOW WINDOW ELEVATION.
- 2 L76x76x6.4 CONTINUOUS DECK SUPPORT. 16# x 100 EMBEDMENT EPOXY ANCHOR BOLTS @ 600 O/C INTO GROUDED CONCRETE BLOCK.
- 3 HSS102x102x6.4 GIRTS C/W C100x6 HANGERS AND L102x102x6.4 DIAGONAL BRACES TO ROOF BEAMS AT ROOF BEAM SPACING.
- 4 C75x6 HANGER AT UNDERSIDE OF EACH OUTRIGGER TO HSS76x76x6.4 CONTINUOUS GIRTS AT BOTTOM OF FASCIA/SOFFIT ELEVATION. L76x76x6.4 BRACE FROM HANGER TO BEAM.
- 5 190 CONCRETE BLOCK MASONRY WALL. 15M VERTICAL C/W DOWELS TO GRADE BEAM @ 600 O/C MAXIMUM AND EACH END IN 20 MPa GROUDED CORES. 200 HIGH BOND BEAM TOP R/W 1-10M TOP AND BOTTOM TOP OF WALL ELEVATION 2600 ABOVE FLOOR (2400 HIGH ABOVE CURB)
- 6 L76x76x6.4 HORIZONTAL BRACE AT UNDERSIDE OF ROOF DECK ELEVATION TO TOP OF COLUMN.
- 7 HSS76x76x6.4 HANGER FROM ROOF BEAMS AT CORNER DOWN TO GIRTS ABOVE WINDOW



**MAIN FLOOR FRAMING AND
FOUNDATION PLAN**

1 : 100
• DESIGN LIVE LOAD = 7.2 kPa (GARAGE AREA)
= 4.8 kPa (OFFICE AREA)



ROOF FRAMING PLAN

1 : 100
• DESIGN LIVE LOAD = 1.72 kPa (SNOW) + BUILDUP SHOWN ON PLAN
• DESIGN DEAD LOAD (HOLLOWCORE ROOF) = 4.2 kPa
• DESIGN DEAD LOAD (STEEL FRAMED ROOF) = 1.2 kPa

3	-	-
2	-	-
1	-	-
0	21.10.29	ISSUED FOR CONSTRUCTION
NO.	DATE	REVISION / ISSUANCE

Architect
x | architecture inc.
100 Fort Street, Suite 101 Winnipeg, Manitoba R3C 1C7 204 318 2010

300-275 Carlton Street
Winnipeg, Manitoba R3C 5R6
T 204. 943. 7501
F 204. 943. 7507
2021-0367

**Crozier Kilgour
& Partners Ltd.**
CONSULTING STRUCTURAL ENGINEERS

Project
**ST. VITAL PARK
GARAGE & STAFF HOUSE
190 RIVER ROAD**

Sheet Title
**FOUNDATION / MAIN FLOOR
& ROOF FRAMING PLANS**

Project No. 20105
Date 21.10.29

S2.1