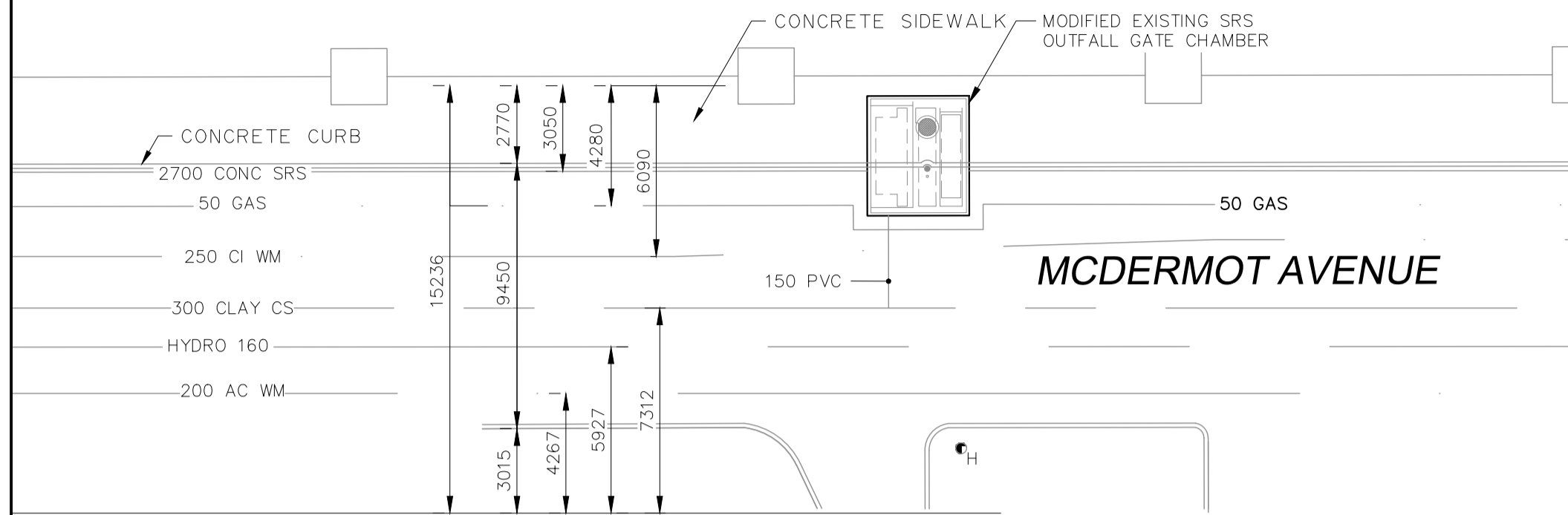


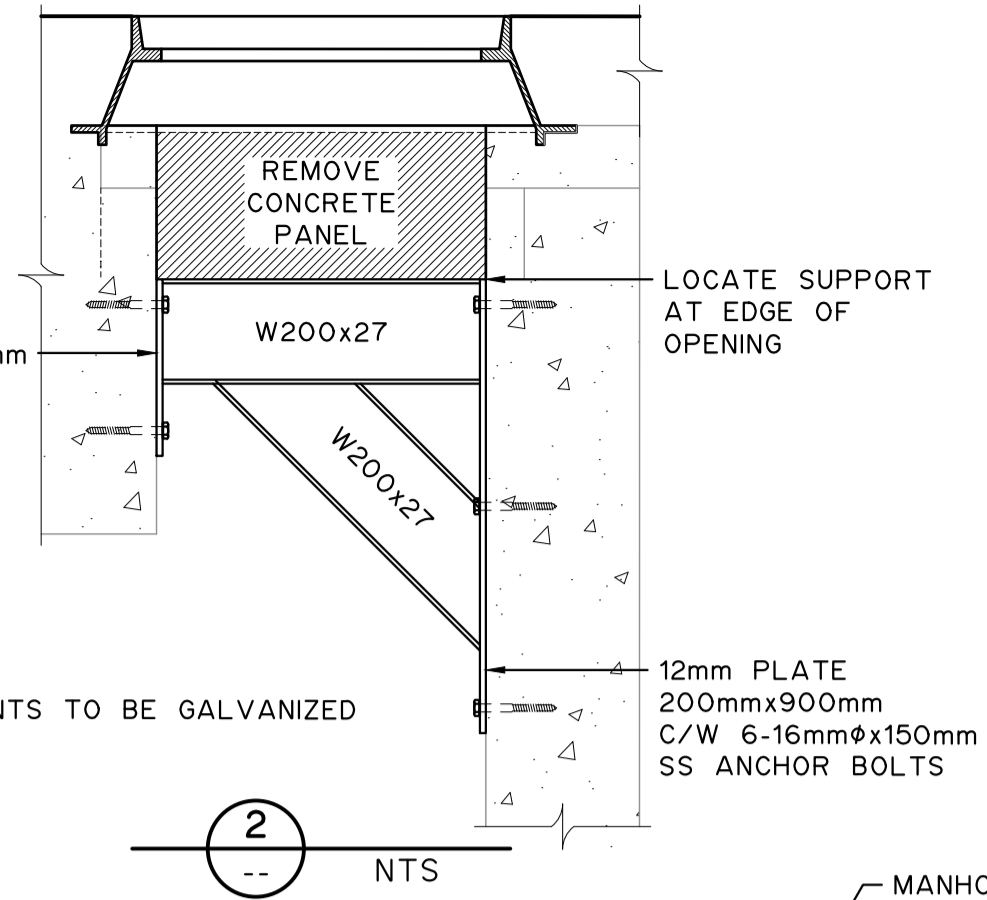
129 McDERMOT AVENUE
PARKING LOT



MCDERMOT AVENUE

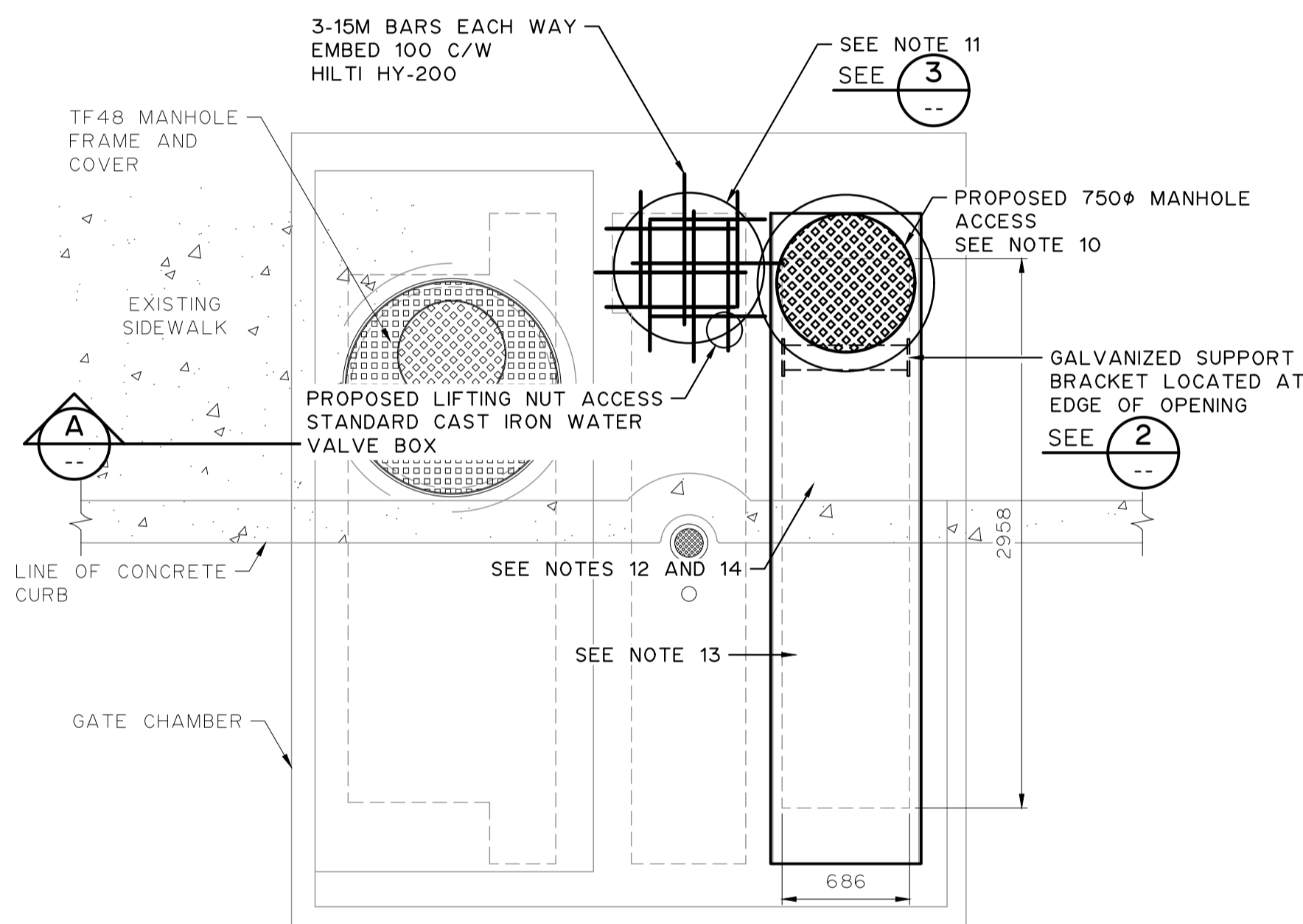
110 LOMBARD AVENUE

12mm PLATE 200mmx350mm
C/W 2-16mmφx150mm
SS ANCHOR BOLTS

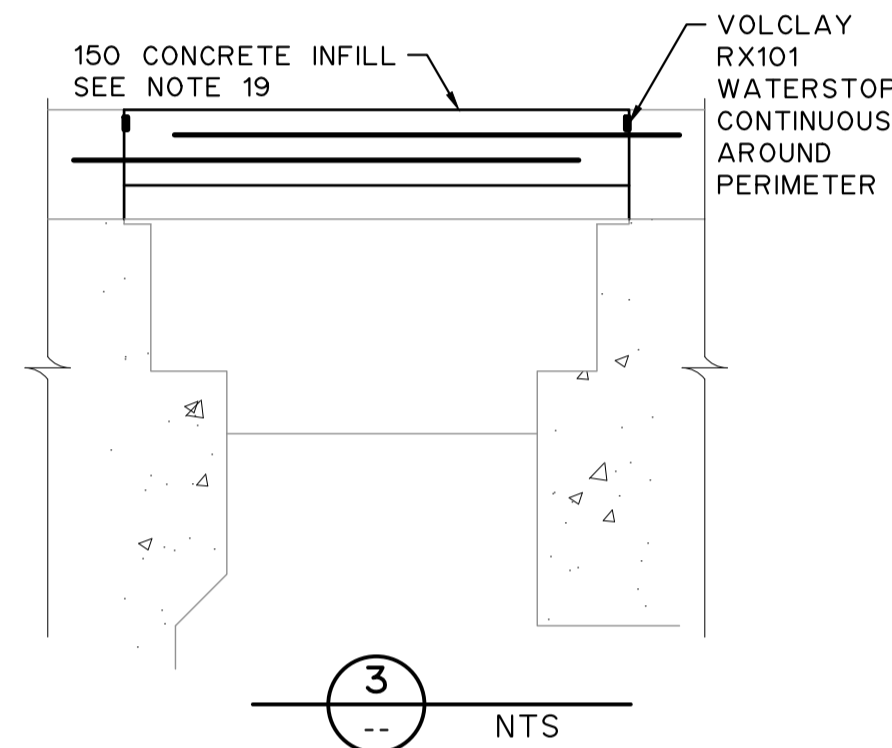


NOTE: ALL COMPONENTS TO BE GALVANIZED

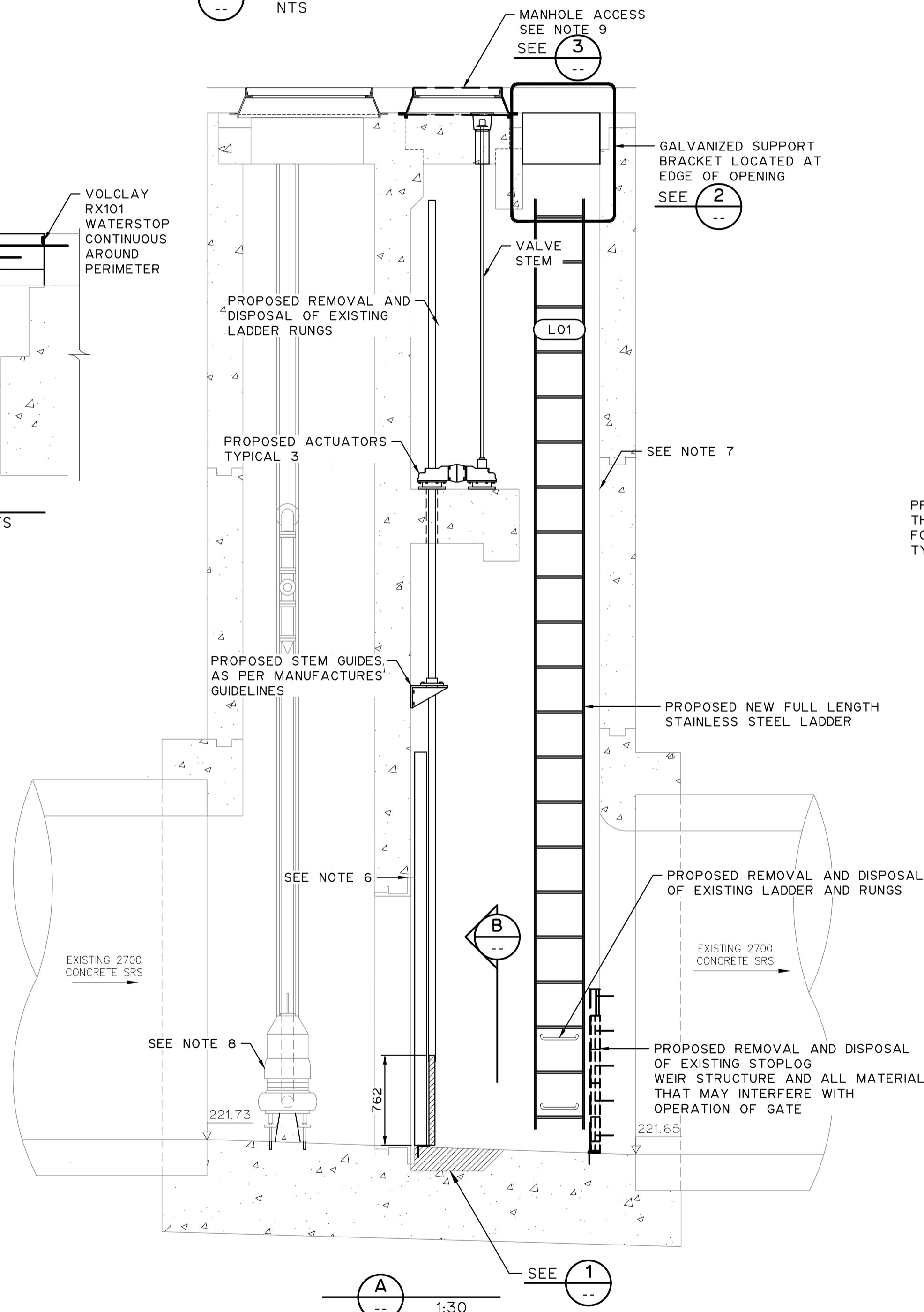
- NOTES:
- ALL DIMENSIONS IN mm UNLESS NOTED OTHERWISE. ALL ELEVATIONS IN m UNLESS NOTED OTHERWISE.
 - FIELD VERIFY ALL DIMENSIONS. NOTE ANY DISCREPANCIES WITH ENGINEER PRIOR TO CONSTRUCTION.
 - ALL SURFACE RESTORATION WORKS TO BE CONSTRUCTED WITH THE LATEST VERSION OF THE CITY OF WINNIPEG STANDARD CONSTRUCTION SPECIFICATIONS.
 - CONTRACTOR RESPONSIBLE FOR DEWATERING AND BYPASS PUMPING TO COMPLETE THE WORK.
 - SLIDE GATE WEIR AND ANCHORS TO BE INSTALLED ACCORDING TO MANUFACTURERS SPECIFICATIONS.
 - REMOVE EXISTING FRAME REMAINING FROM OLD GATE. DRILL THROUGH EXISTING FLANGE FOR INSTALLATION
 - MODIFY EXISTING GRATING PLATFORM TO ACCOMMODATE NEW LADDER
 - MAINTAIN EXISTING PUMP AND INSTALL TEMPORARY WEIR AS NECESSARY TO CONTROL UPSTREAM FLOWS.
 - REMOVE EXISTING MANHOLE ACCESS AND DELIVER TO C.O.W. STORAGE. ±600mmφ.
 - SAWCUT CONCRETE PANEL AND LEDGE TO ALLOW FOR RELOCATED ACCESS AND LADDER INSTALLATION. CONFIRM LOCATION WITH OWNER IN FIELD.
 - 150 CONCRETE FILL EXISTING OPENING IN SLAB. RESTORE SIDEWALK.
 - REMOVE SOD AND SIDEWALK SECTION AS REQUIRED FOR GATE INSTALLATION.
 - REMOVE PANEL FOR INSTALLATION OF GATE
 - RESTORE CONCRETE AND BRICK SIDEWALK AT COMPLETION OF PROJECT.
 - GATE: 108"x30" (2743x762)
 - FACE WALL MOUNTED.
 - STEM COVERS 114mmφ.
 - RESTORE GRASS AREAS WITH 150 TOPSOIL AND SOD.
 - 35 MPa CONCRETE TYPE HS.



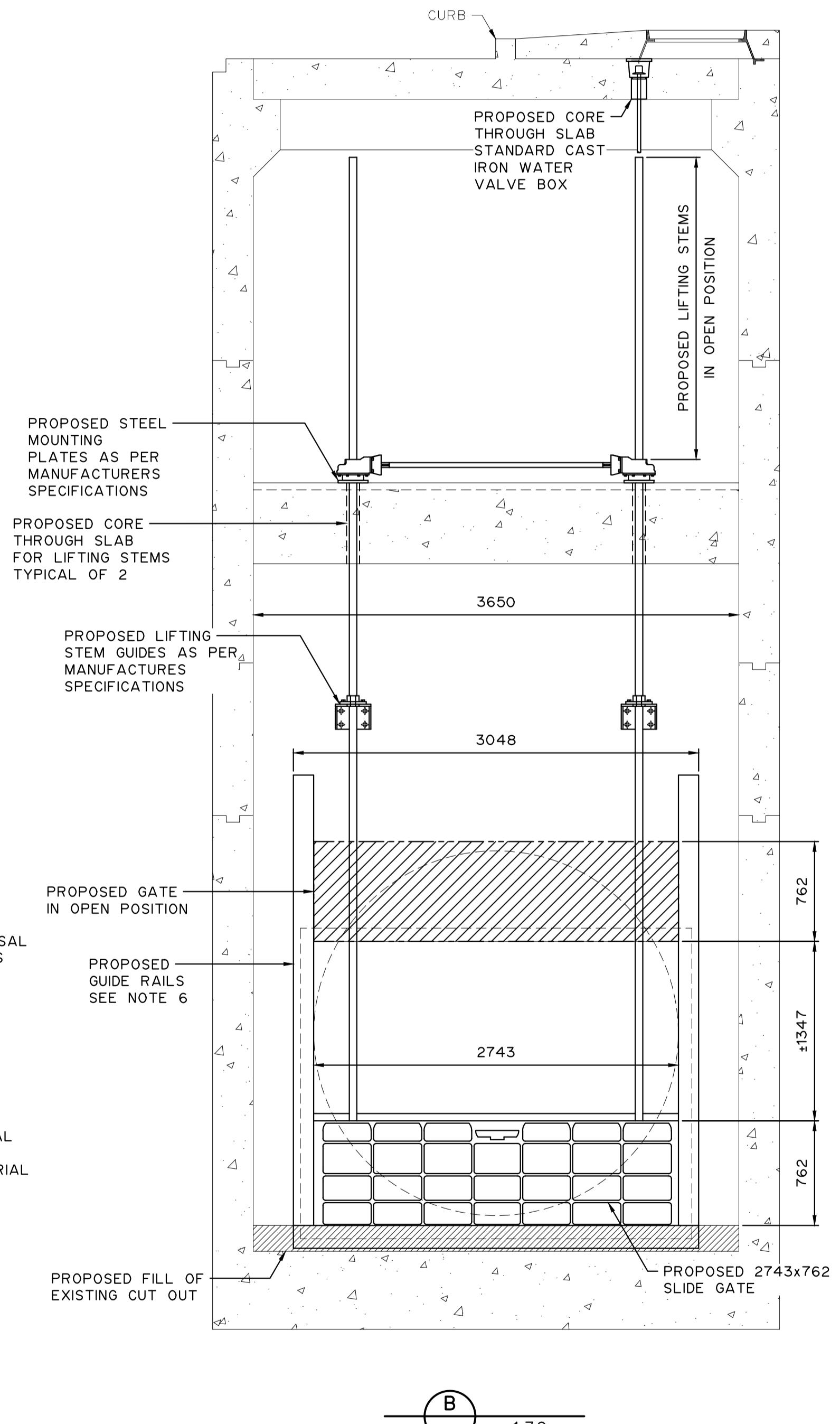
ROOF PLAN
1:30



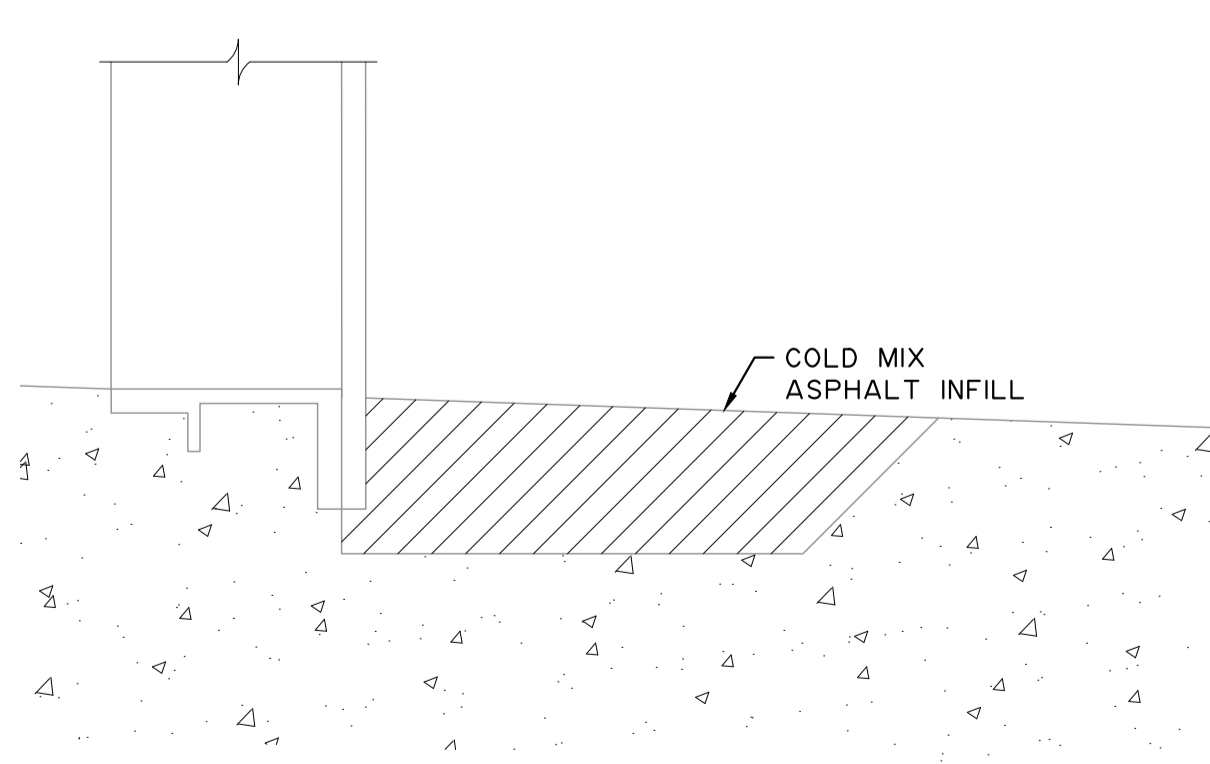
3 NTS



A 1:30



B 1:30



1 NTS

**ENGINEERS
GEOLOGISTS
MANITOBA**
Certificate of Authorization
MPE Engineering Ltd.
No. 5643 Date: _____

LOCATION APPROVED UNDERGROUND STRUCTURES		B.M. ELEV.	
SUPV. U/G STRUCTURES COMMITTEE	DATE		
NOTE: LOCATION OF UNDERGROUND STRUCTURES AS SHOWN ARE BASED ON THE BEST INFORMATION AVAILABLE. BUT NO GUARANTEE IS GIVEN THAT ALL EXISTING UTILITIES ARE SHOWN OR THAT THE GIVEN LOCATIONS ARE EXACT. CONFIRMATION OF EXISTENCE AND EXACT LOCATION OF ALL SERVICES MUST BE OBTAINED FROM THE INDIVIDUAL UTILITIES BEFORE PROCEEDING WITH CONSTRUCTION.			
NO.	REVISIONS	DATE	BY
1	FOR TENDER	2021 11 16	M.J.B.

DESIGNED BY M.B. (204)334-3621		CHECKED BY P.N.B.	
DRAWN BY C.W.H.		APPROVED BY XX	
SCALE: HORIZONTAL AS SHOWN VERTICAL		RELEASED FOR CONSTRUCTION	
DATE	2021 11 16	DATE	

MPE
Engineering Ltd.

DESIGNED BY: M.B. (204)334-3621
CHECKED BY: P.N.B.
DRAWN BY: C.W.H.
APPROVED BY: XX
SCALE: HORIZONTAL AS SHOWN, VERTICAL
DATE: 2021 11 16

ENGINEER'S SEAL
PROVINCE OF MANITOBA
M.J. BAKER
Member
43540
REGISTERED PROFESSIONAL ENGINEER

THE CITY OF WINNIPEG
WATER AND WASTE DEPARTMENT
ENGINEERING DIVISION
McDERMOT AND FORT ROUGE SRS WEIR GATE UPGRADES
McDERMOT AVENUE SRS OUTFALL CHAMBER
PLAN, ELEVATION AND SECTIONS

CITY DRAWING NUMBER: 1-0218G-S0001-001
SHEET 3 OF 5