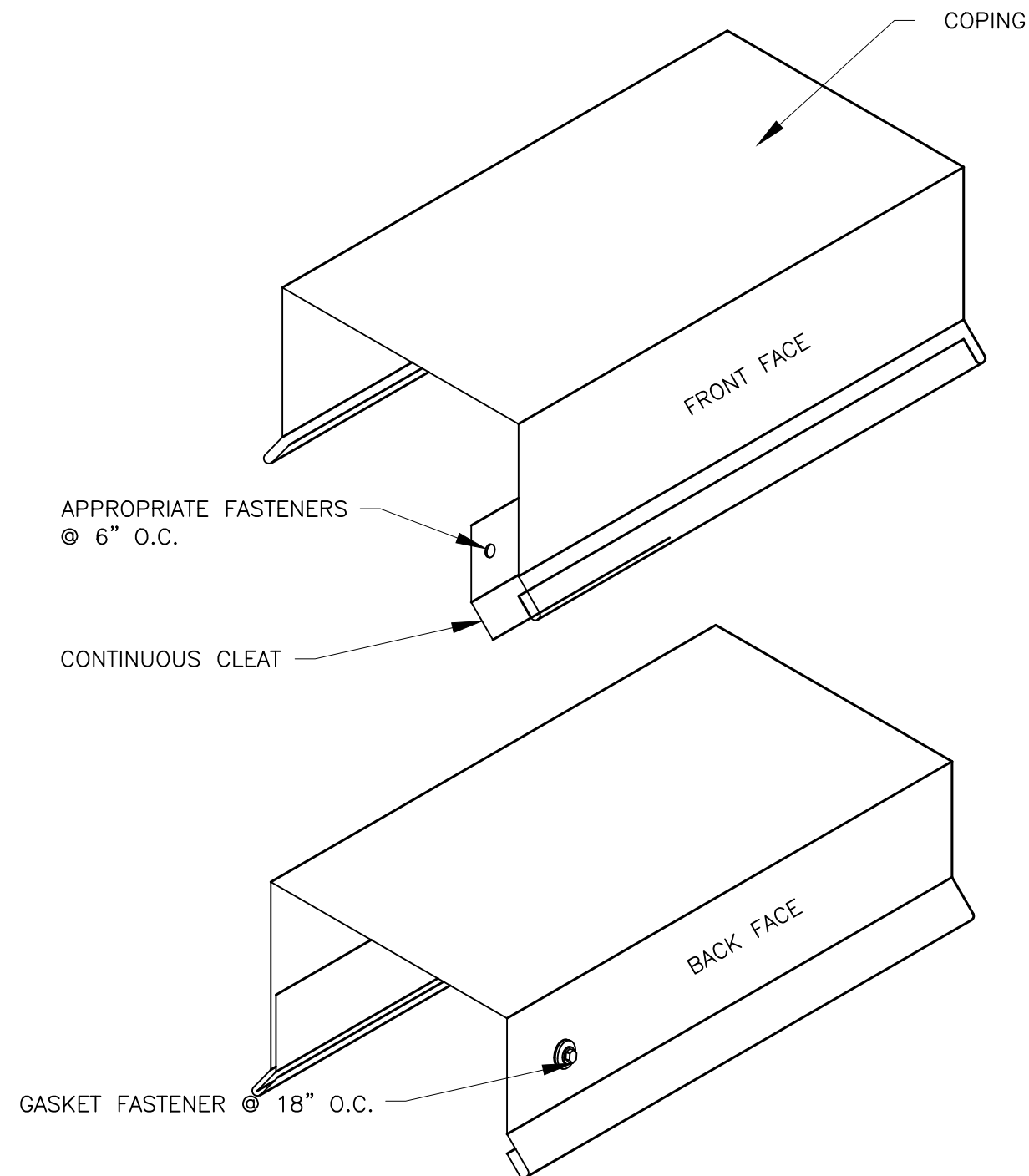




QCA BUILDING ENVELOPE LIMITED
P.O. BOX 23119 RPO
MCGILLVARY BLVD, WINNIPEG, MB
CITY OF WINNIPEG
WINNIPEG, MANITOBA

CONSTRUCTION NOTES:

1. ROOF MEMBRANE, ASSOCIATED FLASHINGS AND METAL JOINERY NOT SHOWN FOR CLARITY
2. CAP FLASHING TO SLOPE MINIMUM 5% INWARD TO ROOFING FROM OUTER EDGE



COPING WITH DRIP AND FRONT FACE CLEAT

1 TYP. CAP FLASHING
A7 SCALE: NTS

THIS DRAWING MUST NOT BE SCALED. THE CONTRACTOR SHALL VERIFY ALL DIMENSIONS AND OTHER SITE CONDITIONS ON SITE PRIOR TO THE COMMENCEMENT OF WORK. DISCREPANCIES, ERRORS, OR OMISSIONS ARE TO BE REPORTED TO QCA BUILDING ENVELOPE LIMITED PRIOR TO PROCEEDING WITH WORK.

PROJECT NAME: ROBERT STEEN COMMUNITY CENTRE RE-ROOF 2021	
ADDRESS: 980 PALMERSTON AVENUE, WINNIPEG, MB	
DRAWING: 665-2021_DRAWING_FLASHING-A7-RO	
DATE: 2021 09 23	DRAWN BY: BH
PROJECT NUMBER: 665-2021	REVISION: R0
SCALE: AS NOTED	SHEET NO: A7