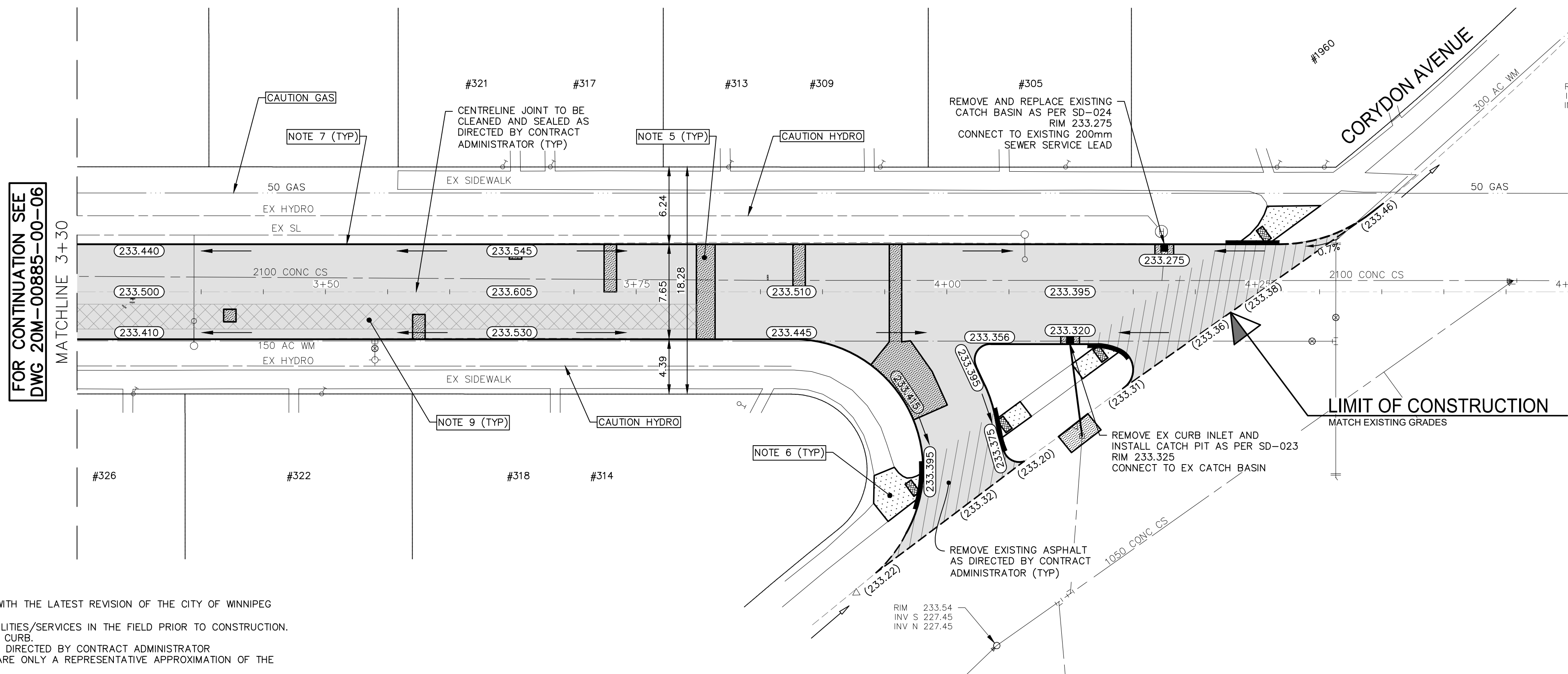
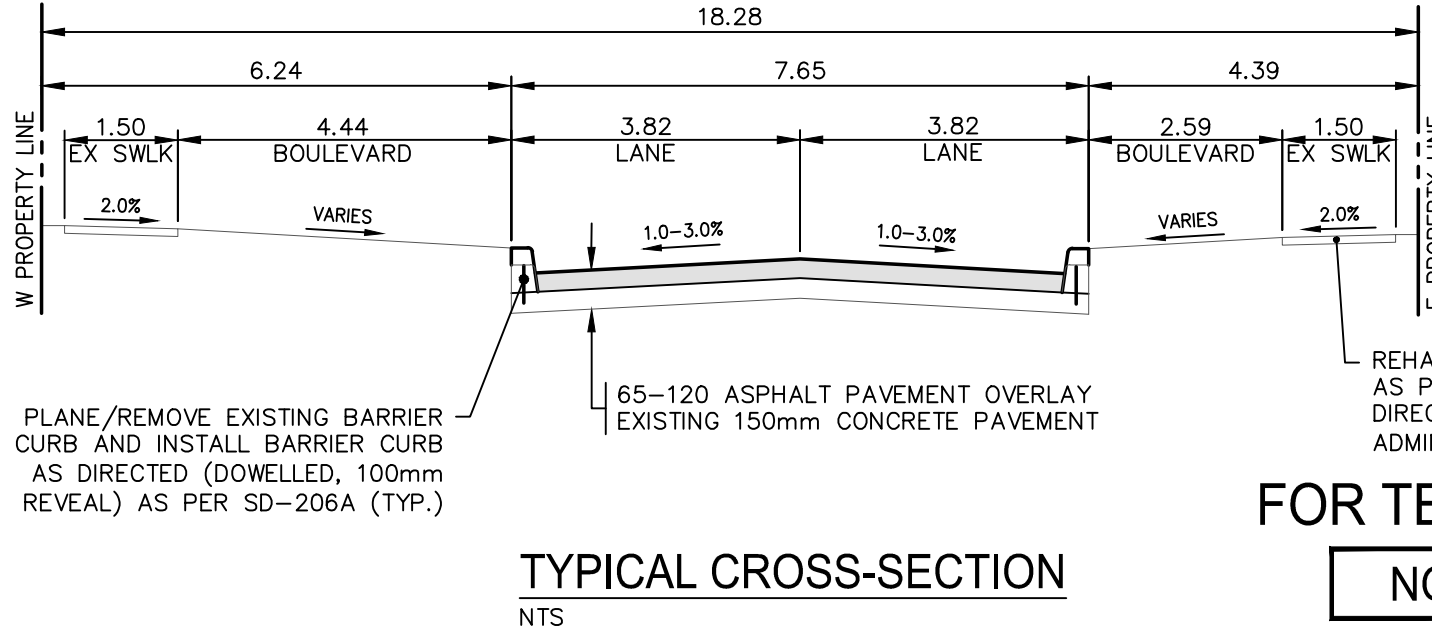


DONCASTER STREET



- NOTES:**
1. ALL WORK AND MATERIALS TO BE IN ACCORDANCE WITH THE LATEST REVISION OF THE CITY OF WINNIPEG STANDARD CONSTRUCTION SPECIFICATIONS.
 2. CONTRACTOR TO CONFIRM THE LOCATION OF ALL UTILITIES/SERVICES IN THE FIELD PRIOR TO CONSTRUCTION.
 3. ALL ROADWAY DIMENSIONS SHOWN ARE TO BACK OF CURB.
 4. EXISTING ASPHALT TO BE PLANED AS SHOWN OR AS DIRECTED BY CONTRACT ADMINISTRATOR
 5. 150mm PARTIAL CONCRETE SLAB PATCHES SHOWN ARE ONLY A REPRESENTATIVE APPROXIMATION OF THE TENDERED QUANTITIES.
 6. EXISTING SIDEWALK TO BE RENEWED AS PER SD-228A AND AS DIRECTED BY CONTRACT ADMINISTRATOR.
 7. PLANE/REMOVE EXISTING CURB AND CONSTRUCT BARRIER CURB (100mm REVEAL) AS PER SD-206A AND AS DIRECTED BY CONTRACT ADMINISTRATOR.
 8. ALL PRIVATE WALKWAYS TO BE ADJUSTED TO NEW SIDEWALK OR TOP OF CURB ELEVATION, AS DIRECTED BY THE CONTRACT ADMINISTRATOR.
 9. PAVEMENT REPAIR FABRIC TO BE INSTALLED AS DIRECTED BY CONTRACT ADMINISTRATOR.
 10. MODIFIED BARRIER CURB TO BE CONSTRUCTED AT ALL INTERSECTION RADII AND ALLEY RADII
 11. CONTRACTORS TO TAKE PRECAUTIONARY STEPS TO PROTECT EXISTING TREES WITHIN THE LIMITS OF CONSTRUCTION FROM DAMAGE FROM CONSTRUCTION ACTIVITIES AS OUTLINED IN THE SPECIFICATIONS.
 12. LAMP STANDARDS, HYDRO POLES, AND ANCHORS THAT REQUIRE TEMPORARY SUPPORT, REMOVAL OR REPLACEMENT, TO BE DONE SO AT THE EXPENSE OF THE CONTRACTOR AS NECESSARY.
 13. ALL BOULEVARDS TO BE SODDED UNLESS OTHERWISE NOTED.
 14. ADJUST ALL WATER VALVES, HYDRANTS, MANHOLES, AND CATCH BASINS IN WORK AREA TO GRADE.



EXISTING	LEGEND-PLAN	PROPOSED	EXISTING	LEGEND-PROFILE	PROPOSED
---	WATER MAIN	---	---	---	---
---	LAND DRAINAGE SEWER	---	---	---	---
---	WASTE WATER SEWER	---	---	---	---
---	HYDRO	---	---	---	---
---	BELL/MTS	---	---	---	---
---	GAS	---	---	---	---
---	SIGNALS	---	---	---	---
○	MANHOLE	●	---	---	---
□	CATCH BASIN	■	---	---	---
△	CURB INLET	▽	---	---	---
—○—	UTILITIES ADJUSTED	—△—	---	---	---
⌋	PLUG	⌋	---	---	---
◇	HYDRANT	◆	---	---	---
⊗	VALVE	⊗	---	---	---
⊙	CURB STOP	⊙	---	---	---
---	GROUND GRADE	---	---	---	---
---	PAVEMENT GRADE	---	---	---	---
---	ANCHOR	---	---	---	---
#111	CIVIC ADDRESS	---	---	---	---
---	LEGEND-PLAN	---	---	---	---
---	PROPOSED	---	---	---	---
---	EXISTING	---	---	---	---
---	LEGEND-PLAN	---	---	---	---
---	PROPOSED	---	---	---	---
---	EXISTING	---	---	---	---
---	LEGEND-PROFILE	---	---	---	---
---	PROPOSED	---	---	---	---
---	EXISTING	---	---	---	---

LOCATIONS APPROVED UNDERGROUND STRUCTURES

SIGNED BY: _____ DATE: _____

LOCATION OF UNDERGROUND STRUCTURES AS SHOWN ARE BASED ON THE BEST INFORMATION AVAILABLE BUT NO GUARANTEE IS GIVEN THAT ALL EXISTING UTILITIES ARE SHOWN OR THAT THE GIVEN LOCATIONS ARE EXACT CONFIRMATION OF EXISTANCE AND EXACT LOCATION OF ALL SERVICES MUST BE OBTAINED FROM THE INDIVIDUAL UTILITIES BEFORE PROCEEDING

G.B.M. ELEV. 234.369	TOP NUT OF FIRE HYDRANT ON BLANCHE AVE AT DONCASTER ST
H	ISSUED FOR TENDER
G	ISSUED FOR UGS REVIEW
F	ISSUED FOR DETAILED DESIGN REVIEW
E	ISSUED FOR PRELIMINARY DESIGN REVIEW
D	REVISIONS
C	
B	
A	
NO.	

DESIGNED BY	RH	CHECKED BY	RH
DRAWN BY	RH/SB	APPROVED BY	SM
DATE	AUGUST 2020	DATE	---

FOR TENDER PURPOSES ONLY
NOT FOR CONSTRUCTION

ENGINEERS GEOSCIENTISTS MANITOBA
Certificate of Authorization
WSP Canada Inc.
No. 5750

THE CITY OF WINNIPEG
PUBLIC WORKS DEPARTMENT
ENGINEERING SERVICES DIVISION

2021 LOCAL STREET RENEWALS
DONCASTER STREET

ASPHALT REHABILITATION
STA. 3+30 TO STA. 4+27.64

TENDER NO. 7-2021

Feb 28, 2021 - 2:01pm P:\2020\20M-00885-00 - 2021 Local Street and Alley Renewal\05 2021 Local Streets\10 Drawings\03 Working Drawings\20M-00885-00-06-07-RD