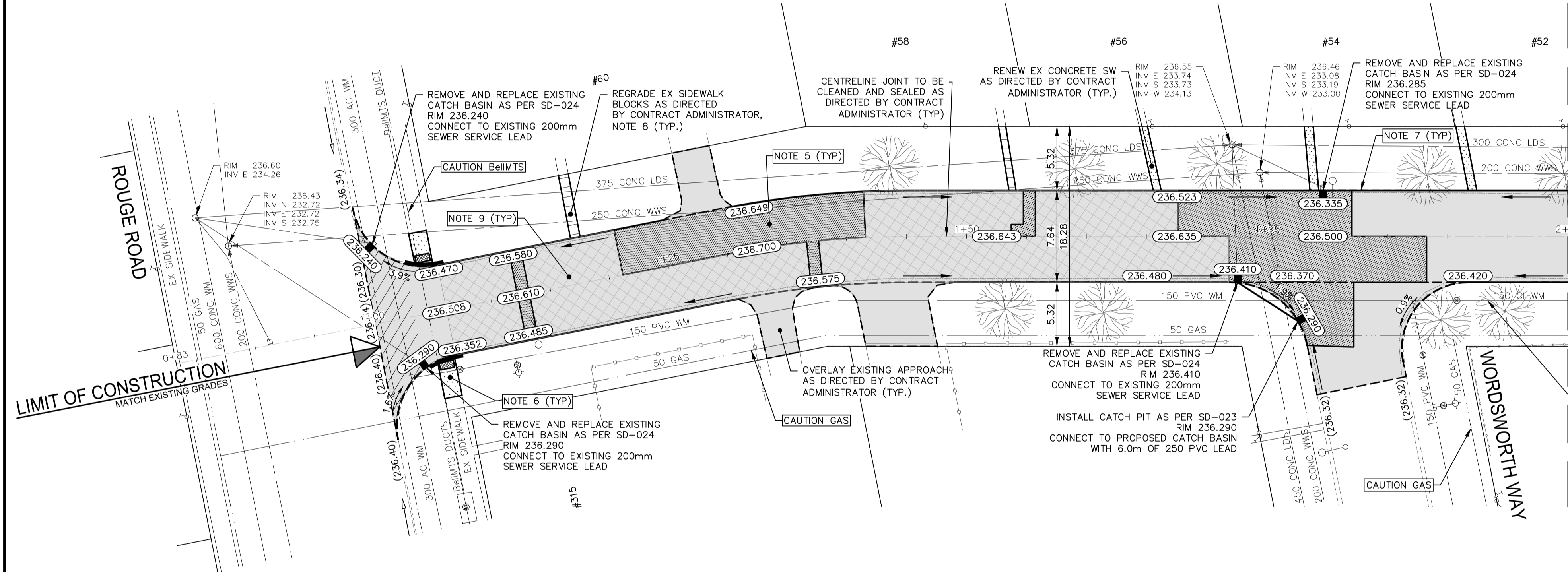
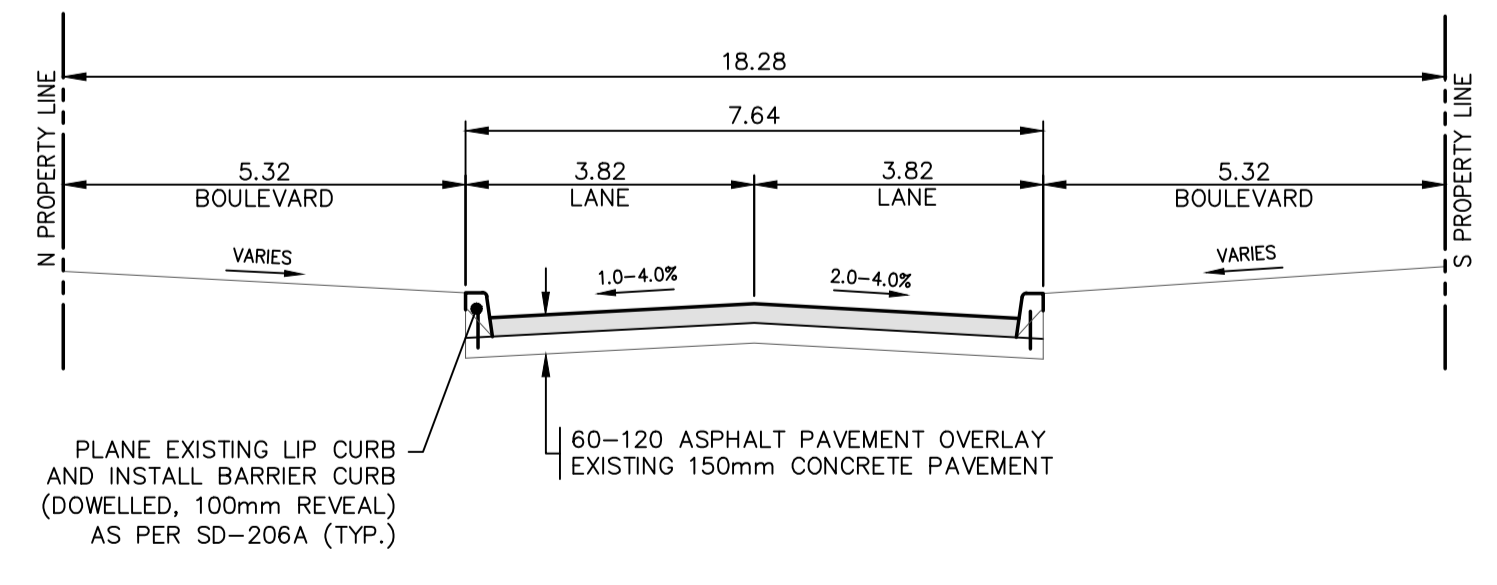


JOLLIET CRESCENT



- NOTES:
1. ALL WORK AND MATERIALS TO BE IN ACCORDANCE WITH THE LATEST REVISION OF THE CITY OF WINNIPEG STANDARD CONSTRUCTION SPECIFICATIONS.
 2. CONTRACTOR TO CONFIRM THE LOCATION OF ALL UTILITIES/SERVICES IN THE FIELD PRIOR TO CONSTRUCTION.
 3. ALL ROADWAY DIMENSIONS SHOWN ARE TO BACK OF CURB.
 4. EXISTING ASPHALT TO BE PLANED AS SHOWN OR AS DIRECTED BY CONTRACT ADMINISTRATOR
 5. 150mm PARTIAL CONCRETE SLAB PATCHES SHOWN ARE ONLY A REPRESENTATIVE APPROXIMATION OF THE TENDERED QUANTITIES.
 6. EXISTING SIDEWALK TO BE RENEWED AS PER SD-228A AND AS DIRECTED BY CONTRACT ADMINISTRATOR.
 7. PLANE/REMOVE EXISTING CURB AND CONSTRUCT BARRIER CURB (100mm REVEAL) AS PER SD-206A AND AS DIRECTED BY CONTRACT ADMINISTRATOR.
 8. ALL PRIVATE WALKWAYS TO BE ADJUSTED TO NEW SIDEWALK OR TOP OF CURB ELEVATION, AS DIRECTED BY THE CONTRACT ADMINISTRATOR.
 9. PAVEMENT REPAIR FABRIC TO BE INSTALLED AS DIRECTED BY CONTRACT ADMINISTRATOR.
 10. MODIFIED BARRIER CURB TO BE CONSTRUCTED AT ALL INTERSECTION RADII AND ALLEY RADII
 11. CONTRACTORS TO TAKE PRECAUTIONARY STEPS TO PROTECT EXISTING TREES WITHIN THE LIMITS OF CONSTRUCTION FROM DAMAGE FROM CONSTRUCTION ACTIVITIES AS OUTLINED IN THE SPECIFICATIONS.
 12. LAMP STANDARDS, HYDRO POLES, AND ANCHORS THAT REQUIRE TEMPORARY SUPPORT, REMOVAL OR REPLACEMENT, TO BE DONE SO AT THE EXPENSE OF THE CONTRACTOR AS NECESSARY.
 13. ALL BOULEVARDS TO BE SODDED UNLESS OTHERWISE NOTED.
 14. ADJUST ALL WATER VALVES, HYDRANTS, MANHOLES, AND CATCH BASINS TO GRADE



EXISTING	LEGEND-PLAN	PROPOSED	EXISTING	LEGEND-PROFILE	PROPOSED	EXISTING	LEGEND-PROFILE	PROPOSED
---	WATER MAIN	---	---	---	---	---	HYDRO POLE & LIGHT STANDARD	---
---	LAND DRAINAGE SEWER	---	---	---	---	---	LIGHT STANDARD OR TRAFFIC SIGNAL	---
---	WASTE WATER SEWER	---	---	---	---	---	HYDRO POLE	---
---	HYDRO	---	---	---	---	---	CURB RAMP	---
---	BELL/MTS	---	---	---	---	---	DETECTABLE WARNING SURFACE TILE	---
---	GAS	---	---	---	---	---	EDGE OF SIDEWALK	---
---	SIGNALS	---	---	---	---	---	FENCE	---
---	MANHOLE	---	---	---	---	---	PROPERTY LINE	---
---	CATCH BASIN	---	---	---	---	---	EDGE OF ASPHALT	---
---	CURB INLET	---	---	---	---	---	EDGE OF CONCRETE	---
---	UTILITIES ADJUSTED	---	---	---	---	---	MODIFIED BARRIER CURB	---
---	PLUG	---	---	---	---	---	BARRIER CURB	---
---	HYDRANT	---	---	---	---	---	BARRIER CURB AND GUTTER	---
---	VALVE	---	---	---	---	---	CONC SIDEWALK	---
---	CURB STOP	---	---	---	---	---	CONCRETE SLAB	---
---	GROUND GRADE	---	---	---	---	---	ASPHALT	---
---	PAVEMENT GRADE	---	---	---	---	---	MILLED SURFACE	---
---	ANCHOR	---	---	---	---	---	ASPHALT RECONSTRUCTION	---
---	CIVIC ADDRESS	---	---	---	---	---	PAVEMENT REPAIR FABRIC	---
---	EXISTING	---	---	---	---	---	---	---

NO.	REVISIONS	DATE	BY
A	ISSUED FOR PRELIMINARY DESIGN REVIEW	20201012	RH
B	ISSUED FOR DETAILED DESIGN REVIEW	20201110	RH
C	ISSUED FOR UGS REVIEW	20201128	RH
D	ISSUED FOR TENDER	20210301	RH

G.B.M.	TOP MUT OF FIRE HYDRANT ON JOLLIET CRES AT ROUGE RD	ELEV.	237.665
H			
G			
F			
E			
D			
C			
B			
A			
NO.	REVISIONS	DATE	BY
		AUGUST 2020	

FOR TENDER PURPOSES ONLY
NOT FOR CONSTRUCTION

WSP
WSP Canada Inc.
Suite 111 - 93 Lombard Ave
Winnipeg, MB R3B 3B1
t. 204.943.3178
f. 204.943.4948
www.wsp.com

ENGINEERS SEAL

THE CITY OF WINNIPEG
PUBLIC WORKS DEPARTMENT
ENGINEERING SERVICES DIVISION

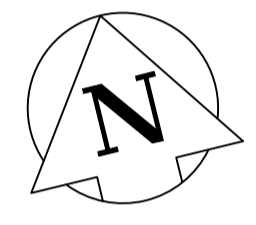
2021 LOCAL STREET RENEWALS
JOLLIET CRESCENT

ASPHALT REHABILITATION
STA. 1+00 TO STA. 2+00

CITY DRAWING NUMBER: ---
SHEET: 8 OF 23
TENDER NO.: 7-2021

CONSULTANT ACAD DWG. NO.: 20M-00885-00-08

Feb 28, 2021 - 2:34pm
P:\2020\20M-00885-00 - 2021 Local Street and Alley Renewal\05_2021 Local Streets\10 Drawings\03 Working Drawings\20M-00885-00_Jolliet Cres_Plan&Profile.dwg - tab.7 - 2021_Drawing_20M-00885-00-08-RD



METRIC
WHOLE NUMBERS INDICATE MILLIMETRES
DECIMALIZED NUMBERS INDICATE METRES

ENGINEERS
GEOSCIENTISTS
MANITOBA
Certificate of Authorization
WSP Canada Inc.
No. 5750