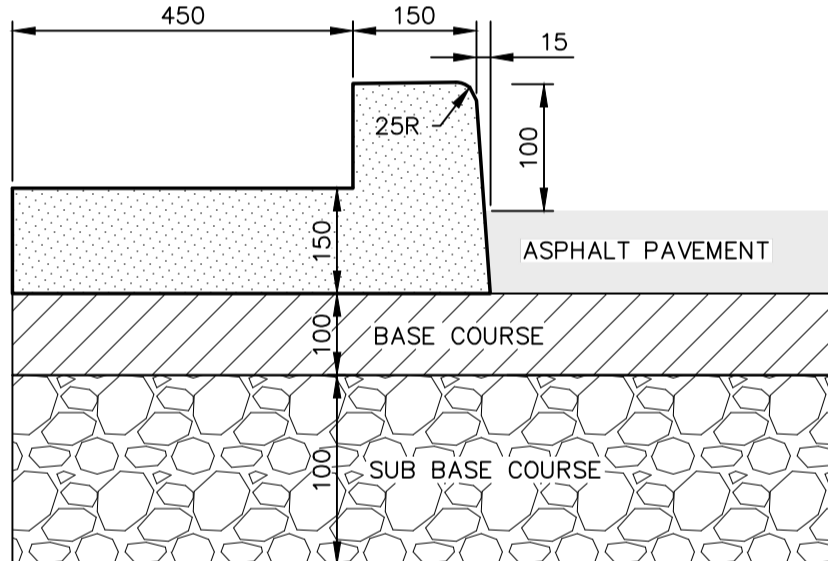
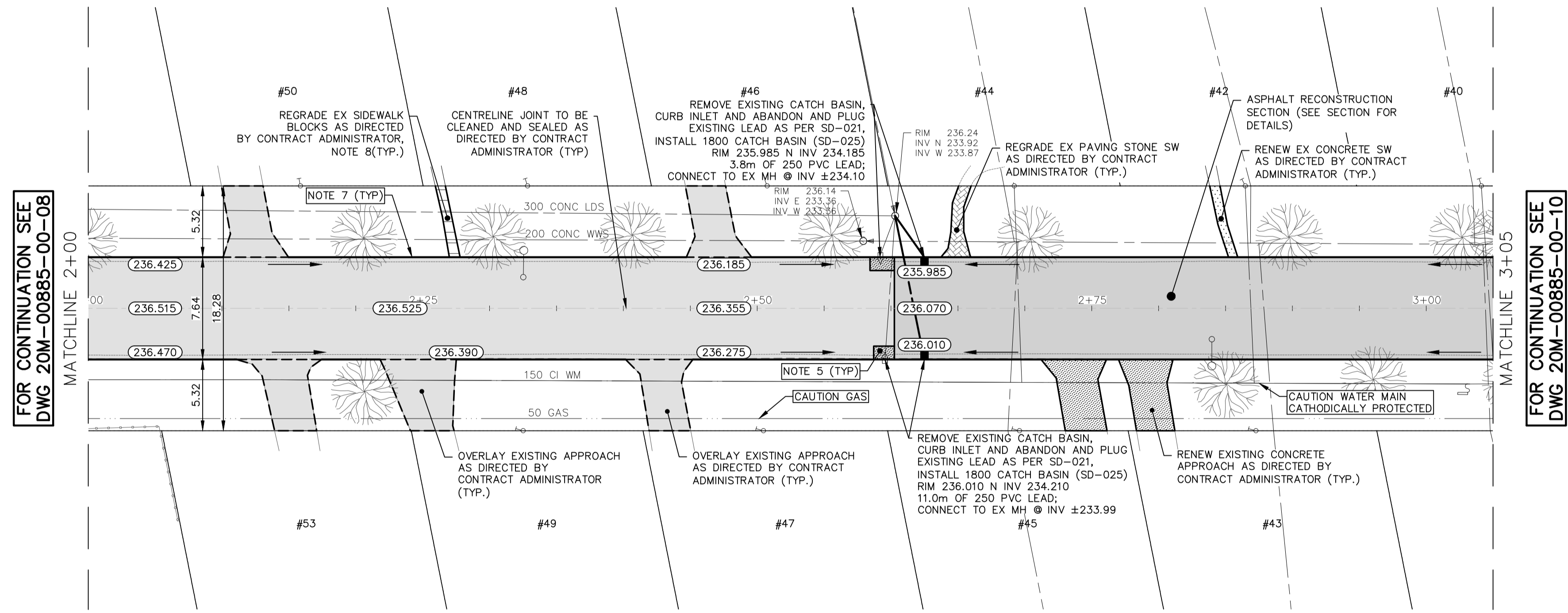
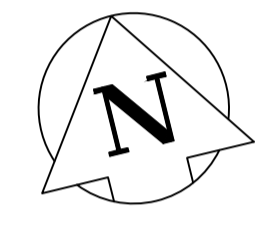
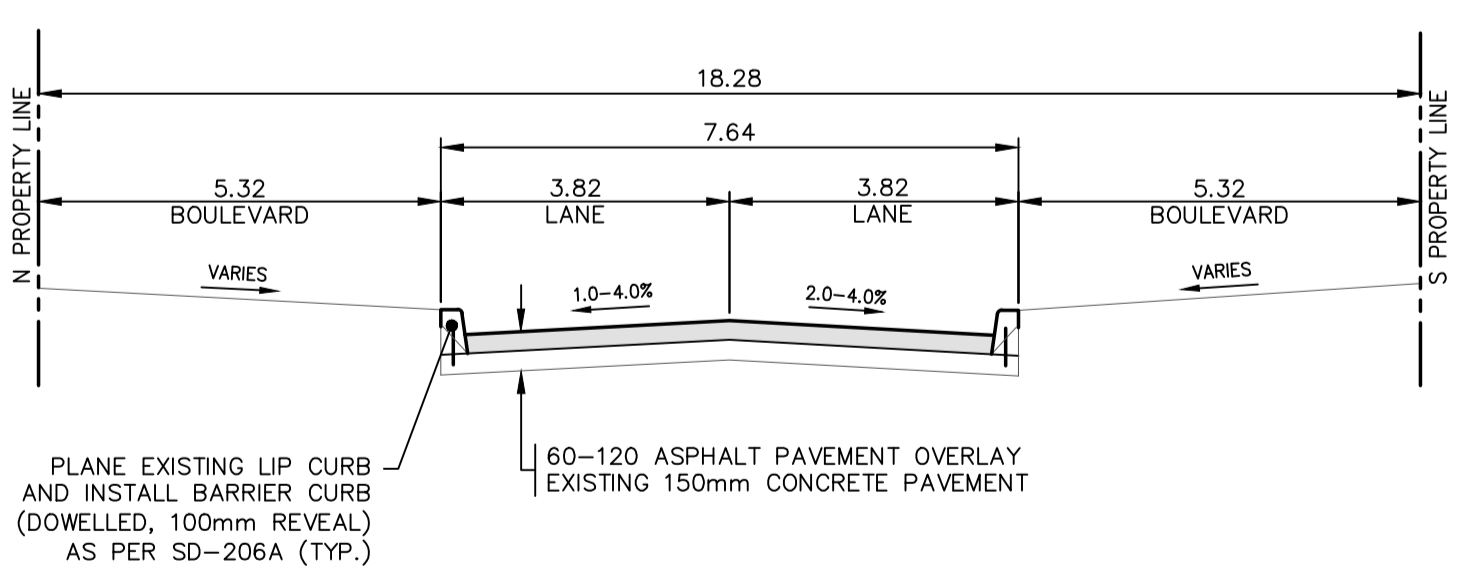


JOLLIET CRESCENT

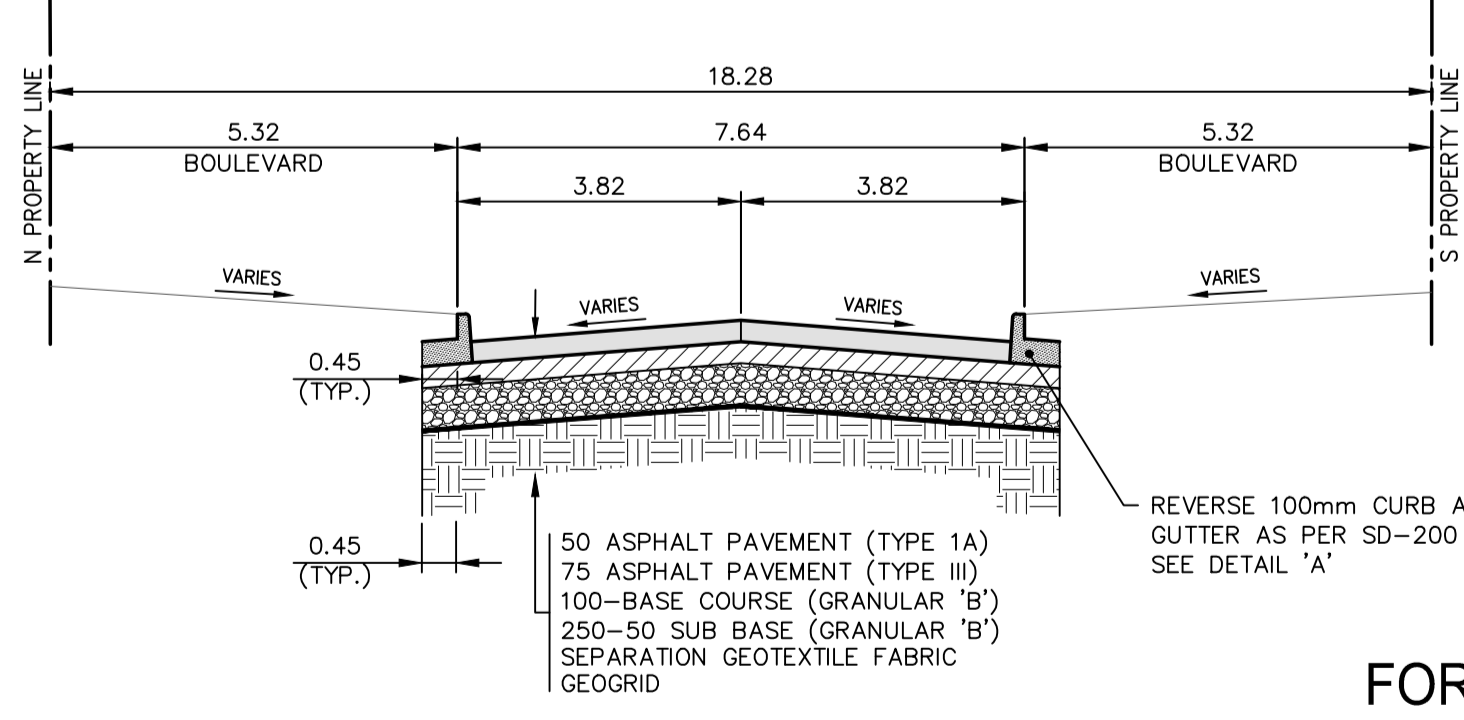


DETAIL 'A' - REVERSE CURB AND GUTTER (SD-200 FOR REFERENCE)
NTS

- NOTES:
- ALL WORK AND MATERIALS TO BE IN ACCORDANCE WITH THE LATEST REVISION OF THE CITY OF WINNIPEG STANDARD CONSTRUCTION SPECIFICATIONS.
 - CONTRACTOR TO CONFIRM THE LOCATION OF ALL UTILITIES/SERVICES IN THE FIELD PRIOR TO CONSTRUCTION.
 - ALL ROADWAY DIMENSIONS SHOWN ARE TO BACK OF CURB.
 - EXISTING ASPHALT TO BE PLANED AS SHOWN OR AS DIRECTED BY CONTRACT ADMINISTRATOR.
 - 150mm PARTIAL CONCRETE SLAB PATCHES SHOWN ARE ONLY A REPRESENTATIVE APPROXIMATION OF THE TENDERED QUANTITIES.
 - EXISTING SIDEWALK TO BE RENEWED AS PER SD-228A AND AS DIRECTED BY CONTRACT ADMINISTRATOR.
 - PLANE/REMOVE EXISTING CURB AND CONSTRUCT BARRIER CURB (100mm REVEAL) AS PER SD-206A AND AS DIRECTED BY CONTRACT ADMINISTRATOR.
 - ALL PRIVATE WALKWAYS TO BE ADJUSTED TO NEW SIDEWALK OR TOP OF CURB ELEVATION, AS DIRECTED BY THE CONTRACT ADMINISTRATOR.
 - PAVEMENT REPAIR FABRIC TO BE INSTALLED AS DIRECTED BY CONTRACT ADMINISTRATOR.
 - MODIFIED BARRIER CURB TO BE CONSTRUCTED AT ALL INTERSECTION RADII AND ALLEY RADII.
 - CONTRACTORS TO TAKE PRECAUTIONARY STEPS TO PROTECT EXISTING TREES WITHIN THE LIMITS OF CONSTRUCTION FROM DAMAGE FROM CONSTRUCTION ACTIVITIES AS OUTLINED IN THE SPECIFICATIONS.
 - LAMP STANDARDS, HYDRO POLES, AND ANCHORS THAT REQUIRE TEMPORARY SUPPORT, REMOVAL OR REPLACEMENT, TO BE DONE SO AT THE EXPENSE OF THE CONTRACTOR AS NECESSARY.
 - ALL BOULEVARDS TO BE SODDED UNLESS OTHERWISE NOTED.
 - ADJUST ALL WATER VALVES, HYDRANTS, MANHOLES, AND CATCH BASINS TO GRADE.



TYPICAL CROSS-SECTION
NTS



ASPHALT RECONSTRUCTION SECTION
NTS

METRIC
WHOLE NUMBERS INDICATE MILLIMETRES
DECIMALIZED NUMBERS INDICATE METRES

**ENGINEERS
GEOSCIENTISTS
MANITOBA**

Certificate of Authorization
WSP Canada Inc.
No. 5750

FOR TENDER PURPOSES ONLY
NOT FOR CONSTRUCTION

EXISTING	LEGEND-PLAN	PROPOSED	EXISTING	LEGEND-PLAN	PROPOSED	EXISTING	LEGEND-PROFILE	PROPOSED
---	WATER MAIN	---	---	HYDRO POLE & LIGHT STANDARD	---	---		
---	LAND DRAINAGE SEWER	---	---	LIGHT STANDARD OR TRAFFIC SIGNAL	---	---		
---	WASTE WATER SEWER	---	---	HYDRO POLE	---	---		
---	HYDRO	---	---	CURB RAMP	---	---		
---	BELL/MTS	---	---	DETECTABLE WARNING SURFACE TILE	---	---		
---	GAS	---	---	EDGE OF SIDEWALK	---	---		
---	SIGNALS	---	---	FENCE	---	---		
---	MANHOLE	---	---	PROPERTY LINE	---	---		
---	CATCH BASIN	---	---	EDGE OF ASPHALT	---	---		
---	CURB INLET	---	---	EDGE OF CONCRETE	---	---		
---	UTILITIES ADJUSTED	---	---	MODIFIED BARRIER CURB	---	---		
---	PLUG	---	---	BARRIER CURB	---	---		
---	HYDRANT	---	---	BARRIER CURB AND GUTTER	---	---		
---	VALVE	---	---	CONC SIDEWALK	---	---		
---	CURB STOP	---	---	CONCRETE SLAB	---	---		
---	GROUND GRADE	---	---	ASPHALT	---	---		
---	PAVEMENT GRADE	---	---	MILLED SURFACE	---	---		
---	ANCHOR	---	---	ASPHALT RECONSTRUCTION	---	---		
---	#111 CIVIC ADDRESS	---	---	PAVEMENT REPAIR FABRIC	---	---		
---	EXISTING LEGEND-PLAN	---	---	EXISTING LEGEND-PLAN	---	---		

LOCATIONS APPROVED UNDERGROUND STRUCTURES

SIGNED BY: _____ DATE: _____

LOCATION OF UNDERGROUND STRUCTURES AS SHOWN ARE BASED ON THE BEST INFORMATION AVAILABLE BUT NO GUARANTEE IS GIVEN THAT ALL EXISTING UTILITIES ARE SHOWN OR THAT THE GIVEN LOCATIONS ARE EXACT CONFIRMATION OF EXISTENCE AND EXACT LOCATION OF ALL SERVICES MUST BE OBTAINED FROM THE INDIVIDUAL UTILITIES BEFORE PROCEEDING

NO.	REVISIONS	DATE	BY

G.B.M. TOP MUF OF FIRE HYDRANT ON JOLLIET CRES AT ROUGE RD
ELEV. 237.665

wsp

DESIGNED BY: RH
CHECKED BY: RH
DRAWN BY: RH/SB
APPROVED BY: SM

WSP Canada Inc.
Suite 111 - 93 Lombard Ave
Winnipeg, MB R3B 3B1
t. 204.943.3178
f. 204.943.4948
www.wsp.com

WSP Canada Inc.
Engineers Seal

Winnipeg

THE CITY OF WINNIPEG
PUBLIC WORKS DEPARTMENT
ENGINEERING SERVICES DIVISION

2021 LOCAL STREET RENEWALS
JOLLIET CRESCENT
ASPHALT REHABILITATION
STA. 2+00 TO STA. 3+05

CONSULTANT ACAD DWG. NO.
20M-00885-00-09

CONTRACTOR ACAD DWG. NO.
20M-00885-00-09

DATE: AUGUST 2020

FOR TENDER PURPOSES ONLY
NOT FOR CONSTRUCTION

2021 LOCAL STREET RENEWALS
JOLLIET CRESCENT
ASPHALT REHABILITATION
STA. 2+00 TO STA. 3+05

CITY DRAWING NUMBER
SHEET 9 OF 23

TENDER NO.
7-2021

Feb 28, 2021 - 2:36pm
 P:\2020\20M-00885-00 - 2021 Local Street and Alley Renewal\05 2021 Local Streets\10 Drawings\03 Working Drawings\20M-00885-00_Jolliet_Cres_Plan&Profile.dwg - tab.7 - 2021_Drawing_20M-00885-00-09-RD