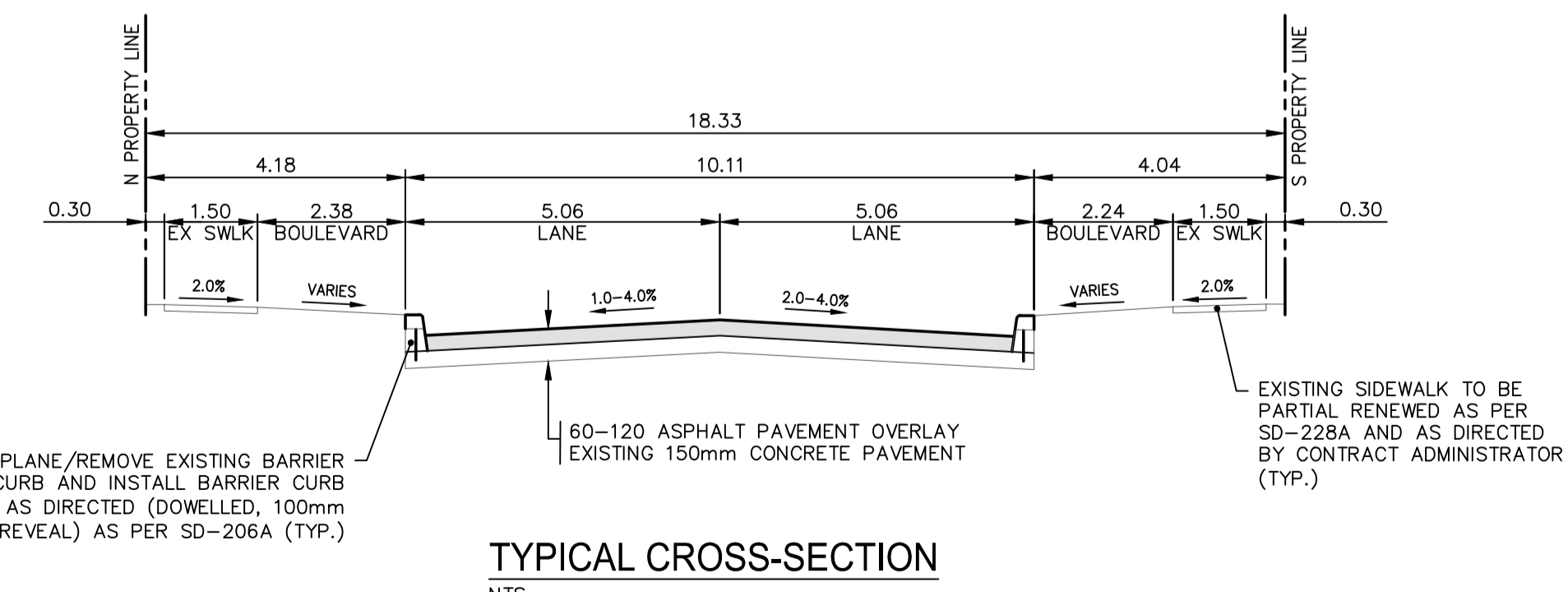


- NOTES:
1. ALL WORK AND MATERIALS TO BE IN ACCORDANCE WITH THE LATEST REVISION OF THE CITY OF WINNIPEG STANDARD CONSTRUCTION SPECIFICATIONS.
 2. CONTRACTOR TO CONFIRM THE LOCATION OF ALL UTILITIES/SERVICES IN THE FIELD PRIOR TO CONSTRUCTION.
 3. ALL ROADWAY DIMENSIONS SHOWN ARE TO BACK OF CURB.
 4. EXISTING ASPHALT TO BE PLANED AS SHOWN OR AS DIRECTED BY CONTRACT ADMINISTRATOR
 5. 150mm PARTIAL CONCRETE SLAB PATCHES SHOWN ARE ONLY A REPRESENTATIVE APPROXIMATION OF THE TENDERED QUANTITIES.
 6. EXISTING SIDEWALK TO BE RENEWED AS PER SD-228A AND AS DIRECTED BY CONTRACT ADMINISTRATOR.
 7. PLANE/REMOVE EXISTING CURB AND CONSTRUCT BARRIER CURB (100mm REVEAL) AS PER SD-206A AND AS DIRECTED BY CONTRACT ADMINISTRATOR.
 8. ALL PRIVATE WALKWAYS TO BE ADJUSTED TO NEW SIDEWALK OR TOP OF CURB ELEVATION, AS DIRECTED BY THE CONTRACT ADMINISTRATOR.
 9. PAVEMENT REPAIR FABRIC TO BE INSTALLED AS DIRECTED BY CONTRACT ADMINISTRATOR.
 10. MODIFIED BARRIER CURB TO BE CONSTRUCTED AT ALL INTERSECTION RADII AND ALLEY RADII
 11. CONTRACTORS TO TAKE PRECAUTIONARY STEPS TO PROTECT EXISTING TREES WITHIN THE LIMITS OF CONSTRUCTION FROM DAMAGE FROM CONSTRUCTION ACTIVITIES AS OUTLINED IN THE SPECIFICATIONS.
 12. LAMP STANDARDS, HYDRO POLES, AND ANCHORS THAT REQUIRE TEMPORARY SUPPORT, REMOVAL OR REPLACEMENT, TO BE DONE SO AT THE EXPENSE OF THE CONTRACTOR AS NECESSARY.
 13. ALL BOULEVARDS TO BE SODDED UNLESS OTHERWISE NOTED.
 14. ADJUST ALL WATER VALVES, HYDRANTS, MANHOLES, AND CATCH BASINS IN WORK AREA TO GRADE.



| EXISTING | LEGEND-PLAN | PROPOSED | EXISTING | LEGEND-PLAN | PROPOSED | EXISTING | LEGEND-PROFILE | PROPOSED |
|----------|---------------------|----------|----------|----------------------------------|----------|----------|------------------------|----------|
| --- | WATER MAIN | --- | ⊕ | IRON BAR | --- | --- | NORTH OR WEST SIDEWALK | --- |
| --- | LAND DRAINAGE SEWER | --- | ⊕ | HYDRO POLE & LIGHT STANDARD | --- | --- | SOUTH OR EAST SIDEWALK | --- |
| --- | WASTE WATER SEWER | --- | ⊕ | LIGHT STANDARD OR TRAFFIC SIGNAL | --- | --- | ROADWAY CENTRELINE | --- |
| --- | HYDRO | --- | ⊕ | HYDRO POLE | --- | --- | NORTH OR WEST GUTTER | --- |
| --- | BELL/MTS | --- | ⊕ | CURB RAMP | --- | --- | SOUTH OR EAST GUTTER | --- |
| --- | GAS | --- | ⊕ | DETECTABLE WARNING SURFACE TILE | --- | --- | | |
| --- | SIGNALS | --- | ⊕ | EDGE OF SIDEWALK | --- | --- | | |
| --- | MANHOLE | --- | ⊕ | FENCE | --- | --- | | |
| --- | CATCH BASIN | --- | ⊕ | PROPERTY LINE | --- | --- | | |
| --- | CURB INLET | --- | ⊕ | EDGE OF ASPHALT | --- | --- | | |
| --- | UTILITIES ADJUSTED | --- | ⊕ | EDGE OF CONCRETE | --- | --- | | |
| --- | PLUG | --- | ⊕ | MODIFIED BARRIER CURB | --- | --- | | |
| --- | HYDRANT | --- | ⊕ | BARRIER CURB | --- | --- | | |
| --- | VALVE | --- | ⊕ | BARRIER CURB AND GUTTER | --- | --- | | |
| --- | CURB STOP | --- | ⊕ | CONCRETE SIDEWALK | --- | --- | | |
| --- | GROUND GRADE | --- | --- | CONCRETE SLAB | --- | --- | | |
| --- | PAVEMENT GRADE | --- | --- | ASPHALT | --- | --- | | |
| --- | ANCHOR | --- | --- | MILLED SURFACE | --- | --- | | |
| --- | #111 CIVIC ADDRESS | --- | --- | PAVEMENT REPAIR FABRIC | --- | --- | | |

| NO. | REVISIONS | DATE | BY |
|-----|--------------------------------------|----------|----|
| A | ISSUED FOR PRELIMINARY DESIGN REVIEW | 20201012 | RH |
| B | ISSUED FOR DETAILED DESIGN REVIEW | 20201110 | RH |
| C | ISSUED FOR UGS REVIEW | 20210128 | RH |
| D | ISSUED FOR TENDER | 20210301 | RH |

| DESIGNED BY | CHECKED BY |
|-------------|-------------|
| RH | RH |
| DRAWN BY | APPROVED BY |
| RH/SB | SM |

| NO. | REVISIONS | DATE | BY |
|-----|--------------------------------------|----------|----|
| A | ISSUED FOR PRELIMINARY DESIGN REVIEW | 20201012 | RH |
| B | ISSUED FOR DETAILED DESIGN REVIEW | 20201110 | RH |
| C | ISSUED FOR UGS REVIEW | 20210128 | RH |
| D | ISSUED FOR TENDER | 20210301 | RH |

FOR TENDER PURPOSES ONLY
NOT FOR CONSTRUCTION

THE CITY OF WINNIPEG
PUBLIC WORKS DEPARTMENT
ENGINEERING SERVICES DIVISION

2021 LOCAL STREET RENEWALS
STRAUSS DRIVE
ASPHALT REHABILITATION
STA. 5+40 TO STA. 6+71.22

WSP Canada Inc.
Suite 111 - 93 Lombard Ave
Winnipeg, MB R3B 3B1
t. 204.943.3178
f. 204.943.4948
www.wsp.com

20M-00885-00-20

CITY DRAWING NUMBER ---
SHEET 20 OF 23
TENDER NO. 7-2021

Feb 28, 2021 11:23am P:\2020\20M-00885-00-20 Local Street and Alley Renewal\05 2021 Local Streets\03 Working Drawings\20M-00885-00-Strauss Dr_Plan&Profile.dwg -tab:7-2021_Drawing_20M-00885-00-20-RD