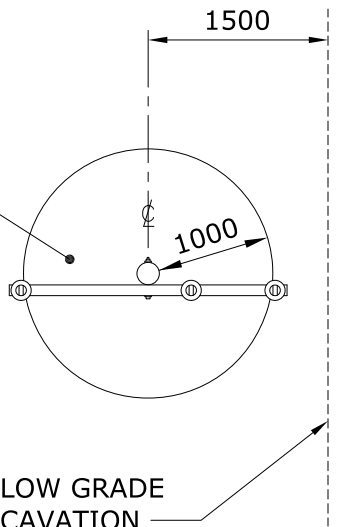


APPENDIX 'D'

Allowable Excavations Around Manitoba Hydro Poles

FOR CHANGES IN GRADE,
THE MINIMUM AMOUNT OF
UNDISTURBED EARTH TO BE
LEFT ALL AROUND POLES
SHALL BE 1000mm

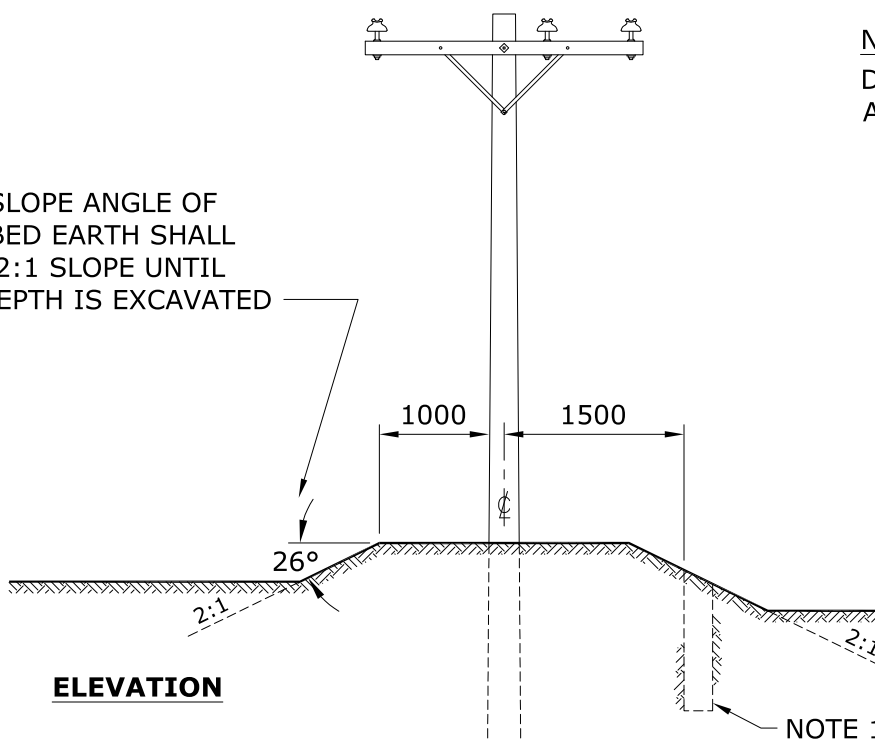


PLAN

BELOW GRADE
EXCAVATION

NOTE:
DIMENSIONS SHOWN
ARE MILLIMETRES.

MAXIMUM SLOPE ANGLE OF
UNDISTURBED EARTH SHALL
BE 26° OR 2:1 SLOPE UNTIL
DESIRED DEPTH IS EXCAVATED



ELEVATION

NOTE 1

NOTE:

1. THE MINIMUM SEPARATION (TO ANY SIDE OF A POLE) FOR EXCAVATIONS DEEPER THAN 500mm WITHOUT DISTRIBUTION ENGINEERING INVOLVEMENT SHALL BE 1500mm, EXCAVATIONS TO BE BACKFILLED & TAMPED TO MAINTAIN SLOPE. A CIVIL ENGINEER SHOULD BE CONSULTED FOR ANY LARGER (TEMPORARY OR PERMANENT) EXCAVATIONS.

SUPERCEDES ORIGINAL SEALED BY E. WIEBE ON 94-07-11

APPROVED		REVISIONS		MANITOBA HYDRO DISTRIBUTION STANDARDS	
ORIGINAL DRAWING SEALED BY D.R. ORR 19-05-17	19-04	3	REVISED NOTE 1, RESEALED	ALLOWABLE EXCAVATIONS AROUND EXISTING POLES	
	06-02	2	REVISED SLOPE & ADDED MORE EXPLANATION TO NOTES		
	95-04	1	MINIMUM SEPARATION ADDED		
DRAWN C.A.	CHECKED G.D.	DATE 19-04		CD 30-55	
				SHT	REV
				0001 OF 1	03