

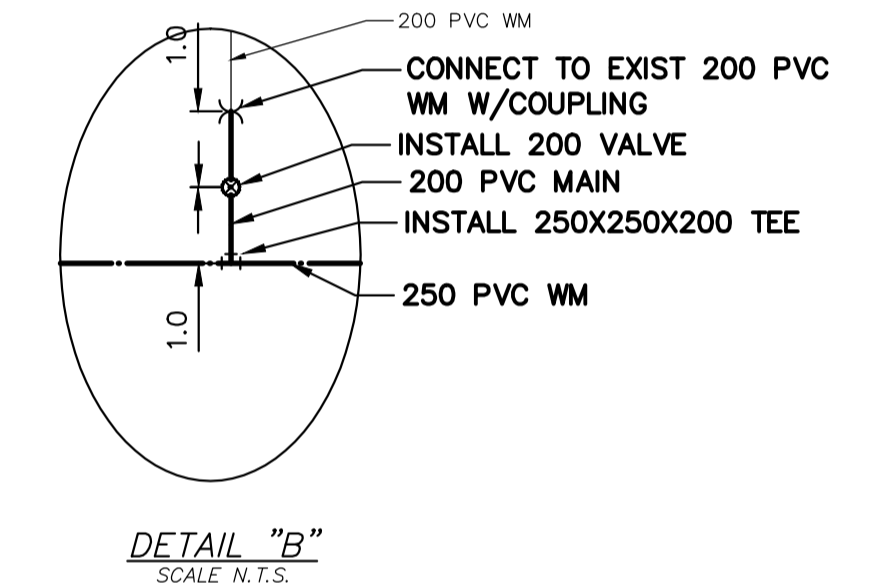
NOTE: CHAINAGES SHOWN ARE ALONG S. R. OF CHEVRIER BOULEVARD

CHEVRIER BOULEVARD

WATER SERVICE INFORMATION

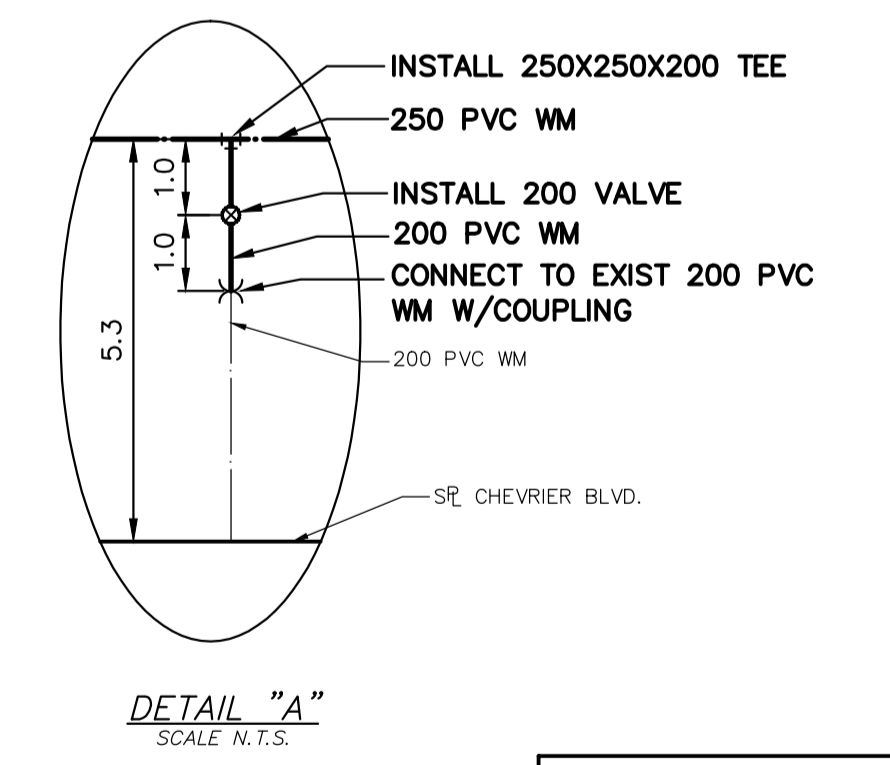
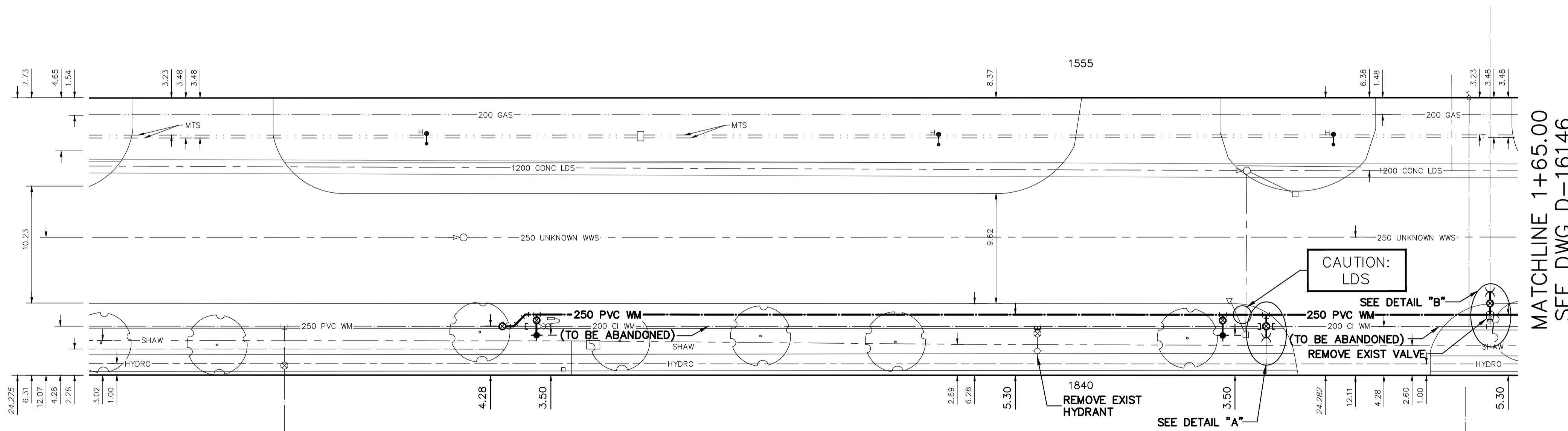
ADDRESS	SIZE (mm) MATERIAL (STREET)	SIZE (mm) MATERIAL (PROP.)	SHORT & LONG MEASUREMENT	LINEAR DISTANCE (1) CORP LOCATION (2)	REMARKS
1555 CHEVRIER BLVD COMMERCIAL	50 CU	50 CU	10.56 WEL BLDG 175.724 EEL WAVERLEY ST	OPP S/C	RECONNECT SERVICE
1840 CHEVRIER BLVD SPRINKLER	200 PVC	200 PVC	3.18 EEL BLDG 230.850 WML NEWMARKET BLVD	OPP S/C	RECONNECT SERVICE
1555 CHEVRIER BLVD SPRINKLER	200 PVC	200 PVC	22.80 EEL BLDG 157.937 EEL WAVERLEY ST	OPP S/C	RECONNECT SERVICE

(1) LINEAR DISTANCE FROM THE S/C TO THE CORP USED ALONG BENDS & CURVED R.O.W.
(2) DIRECTION FROM S/C
* SERVICES TO BE RENEWED TO R. ALL OTHERS TO BE RECONNECTED



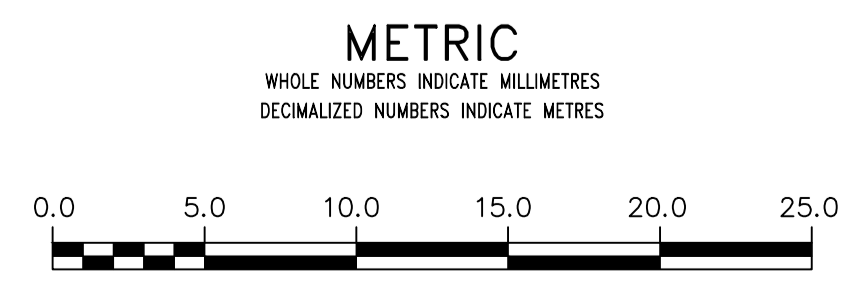
CONSTRUCTION NOTES

- Permanent restoration of the asphalt active transportation path, separate concrete splash strip and concrete sidewalk to be in accordance with E5.



FOR INDEX SEE D-16144

NOTE: ALL VALVES TO BE INSTALLED CLOCKWISE TO CLOSE



WARNING
IF POWER EQUIPMENT OR EXPLOSIVES ARE TO BE USED FOR EXCAVATION ON THIS PROJECT THE CONTRACTOR MUST:
1) NOTIFY THE GAS COMPANY OF THE PROPOSED LOCATION OF EXCAVATION.
2) TAKE PRECAUTION TO AVOID DAMAGE TO GAS COMPANY INSTALLATIONS.
SEE PROVINCIAL REGULATION 210/72 FOR DETAILS

LOCATION APPROVED
UNDERGROUND STRUCTURES
SUPV. U/G STRUCTURES COMMITTEE DATE
NOTE:
LOCATION OF UNDERGROUND STRUCTURES AS SHOWN ARE BASED ON THE BEST INFORMATION AVAILABLE BUT NO GUARANTEE IS GIVEN THAT ALL EXISTING UTILITIES ARE SHOWN OR THAT THE GIVEN LOCATIONS ARE EXACT. CONFIRMATION OF EXISTENCE AND EXACT LOCATION OF ALL SERVICES MUST BE OBTAINED FROM THE INDIVIDUAL UTILITIES BEFORE PROCEEDING WITH CONSTRUCTION.

VERTICAL DATUM: CGVD28 (HT2.0 Geoid)	
HORIZONTAL DATUM: NAD83 (June 1990), Zone 14	
DESIGNED BY	RG
CHECKED BY	SC
DRAWN BY	AOM
APPROVED BY	KZ
SCALE:	
HORIZONTAL	1:250
VERTICAL	1:50
DATE	2022 05 13
PLOT DATE:	2022 05 13

ENGINEER'S SEAL	
CONSULTANT DRAWING NUMBER	

THE CITY OF WINNIPEG
WATER AND WASTE DEPARTMENT
ENGINEERING DIVISION

2022 WATER MAIN RENEWALS
CONTRACT 13
CHEVRIER BOULEVARD
360.0 WEST OF NEWMARKET BOULEVARD TO
235 W OF NEWMARKET BOULEVARD

SHEET 3 OF 11
CITY DRAWING NUMBER
D-16145