

WATER SERVICE INFORMATION

ADDRESS	SIZE (mm) MATERIAL (STREET)	SIZE (mm) MATERIAL (PROP.)	SHORT & LONG MEASUREMENT	LINEAR DISTANCE (1) CORP LOCATION (2)	REMARKS
1400 CHEVRIER BLVD	25	25	2.80 WEL BLDG	-	-
COMMERCIAL	CU	CU	4.700 W/L HAMELIN ST	1.1 E OF S/C	OUTSIDE LIMITS
1457 CHEVRIER BLVD	150	150	5.80 NSL BLDG	-	-
COMMERCIAL	PVC	PVC	22.354>NNL CHEVRIER BLVD	OPP S/C	OUTSIDE LIMITS
1331 CHEVRIER BLVD	50	50	10.90 NSL BLDG	-	-
COMMERCIAL	CU	CU	22.900>NNL CHEVRIER BLVD	0.4 N OF S/C	OUTSIDE LIMITS

(1) LINEAR DISTANCE FROM THE S/C TO THE CORP USED ALONG BENDS & CURVED R.O.W.
(2) DIRECTION FROM S/C

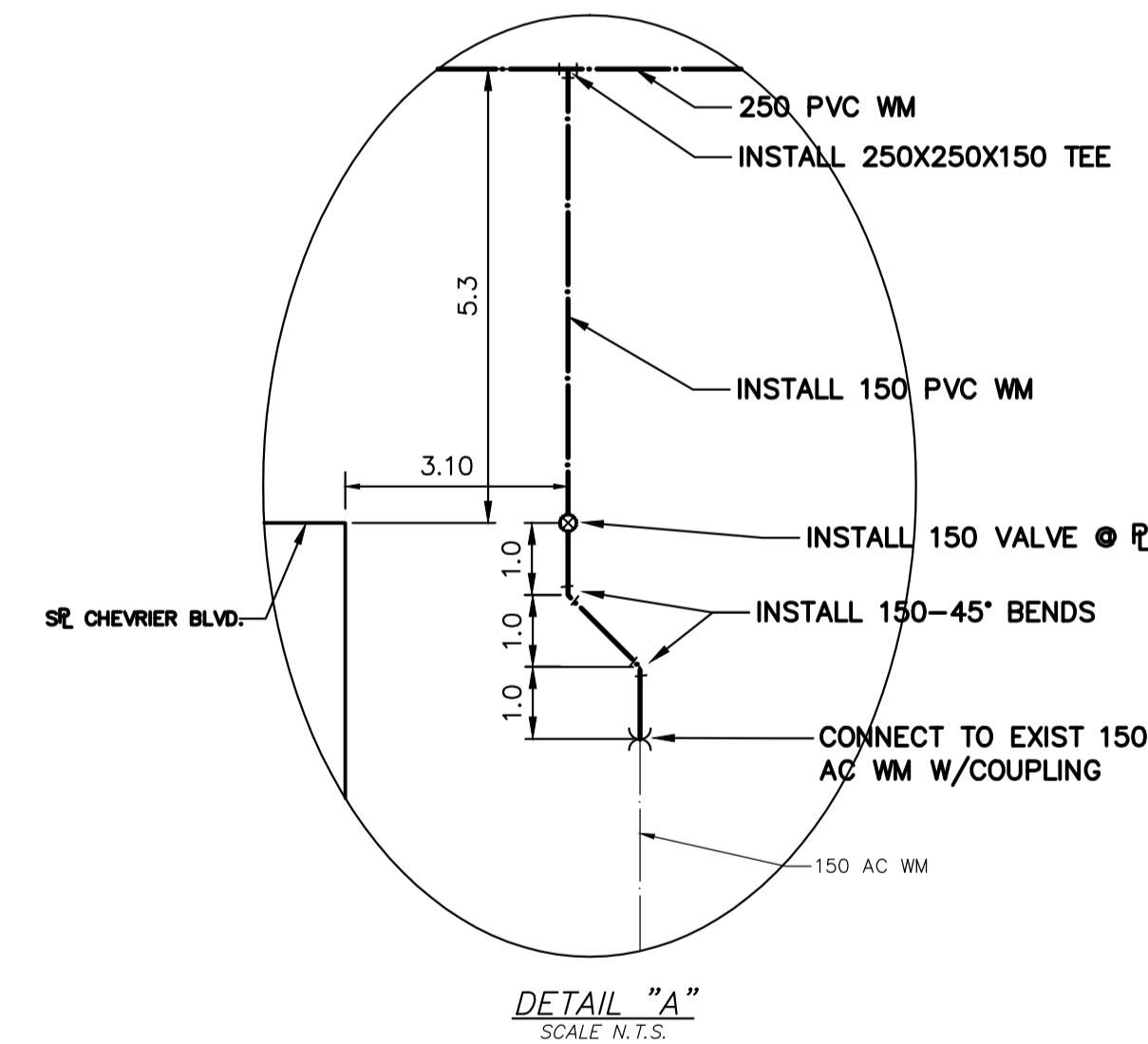
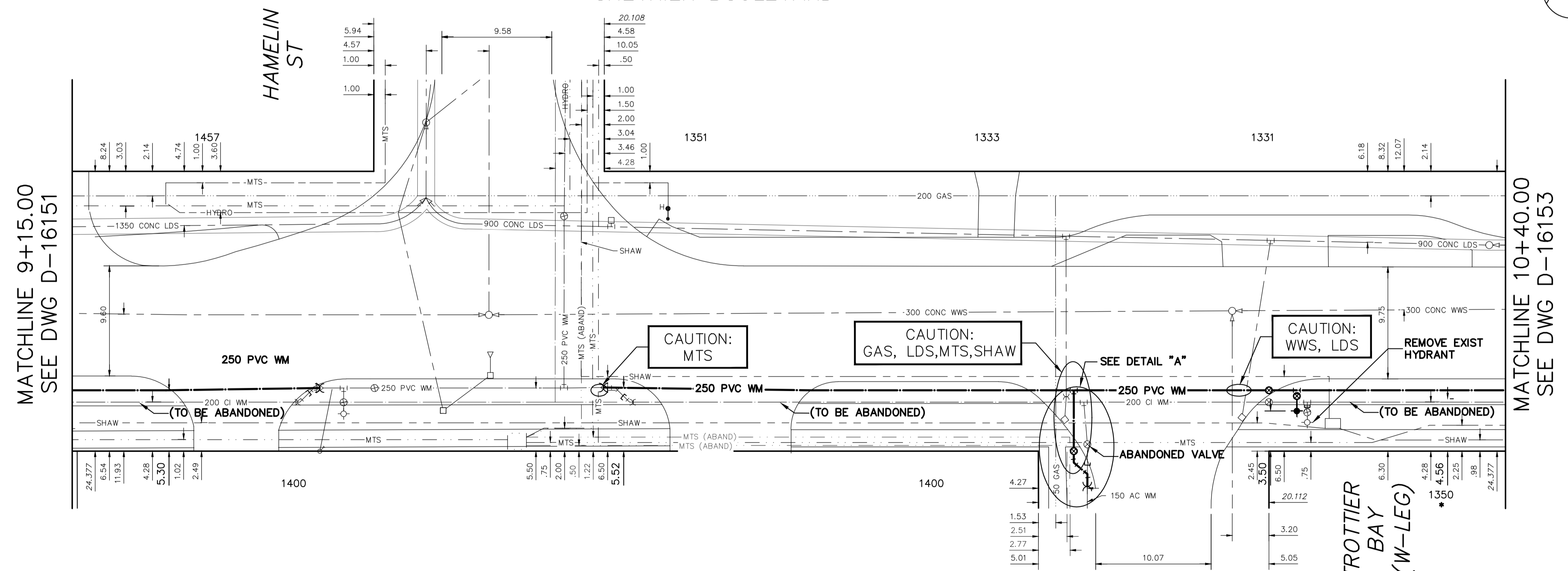
* SERVICES TO BE RENEWED TO R. ALL OTHERS TO BE RECONNECTED

CONSTRUCTION NOTES

- Permanent restoration of the asphalt active transportation path, separate concrete splash strip and concrete sidewalk to be in accordance with E5.

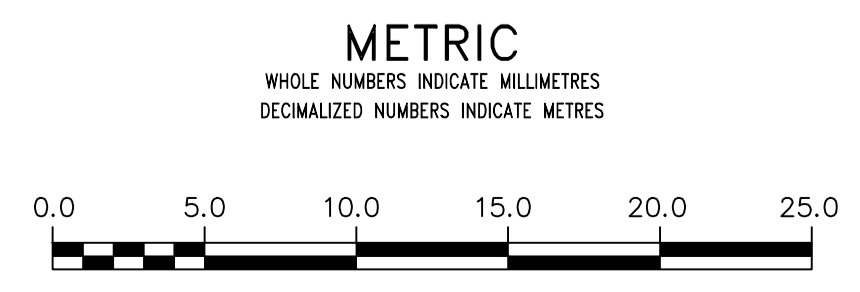
NOTE: CHAINAGES SHOWN ARE ALONG S. R. OF CHEVRIER BOULEVARD

CHEVRIER BOULEVARD



FOR INDEX SEE D-16144

NOTE: ALL VALVES TO BE INSTALLED CLOCKWISE TO CLOSE



WARNING
IF POWER EQUIPMENT OR EXPLOSIVES ARE TO BE USED FOR EXCAVATION ON THIS PROJECT THE CONTRACTOR MUST:
1) NOTIFY THE GAS COMPANY OF THE PROPOSED LOCATION OF EXCAVATION.
2) TAKE PRECAUTION TO AVOID DAMAGE TO GAS COMPANY INSTALLATIONS.
SEE PROVINCIAL REGULATION 210/72 FOR DETAILS

LOCATION APPROVED
UNDERGROUND STRUCTURES
SUPV. U/G STRUCTURES COMMITTEE DATE
NOTE:
LOCATION OF UNDERGROUND STRUCTURES AS SHOWN ARE BASED ON THE BEST INFORMATION AVAILABLE BUT NO GUARANTEE IS GIVEN THAT ALL EXISTING UTILITIES ARE SHOWN OR THAT THE GIVEN LOCATIONS ARE EXACT. CONFIRMATION OF EXISTENCE AND EXACT LOCATION OF ALL SERVICES MUST BE OBTAINED FROM THE INDIVIDUAL UTILITIES BEFORE PROCEEDING WITH CONSTRUCTION.

VERTICAL DATUM: CGVD28 (HT2.0 Geoid)
HORIZONTAL DATUM: NAD83 (June 1990), Zone 14

NO.	REVISIONS	DATE	BY

DESIGNED BY	RG	CHECKED BY	SC
DRAWN BY	RS	APPROVED BY	KZ
SCALE:		RELEASED FOR CONSTRUCTION	
HORIZONTAL	1:250		
VERTICAL	1:50		
DATE	2022 05 12	DATE	

PLOT DATE: 2022 05 12

ENGINEER'S SEAL
CONSULTANT DRAWING NUMBER

THE CITY OF WINNIPEG
WATER AND WASTE DEPARTMENT
ENGINEERING DIVISION

2022 WATER MAIN RENEWALS
CONTRACT 13
CHEVRIER BOULEVARD
26.5 W OF HAMLIN AVENUE TO
78.6 E OF HAMLIN AVENUE

SHEET 10 OF 11
CITY DRAWING NUMBER
D-16152