

FORM N: DETAILED SPECIFICATIONS 21060

COMPACT TRACKED LOADER

1.0 INSTRUCTIONS FOR COMPLETION OF SPECIFICATIONS

- 1.1 All items in these specifications should be answered indicating compliance or non-compliance.
- 1.2 **Bidders shall state “yes” for compliance or state “deviation”**, or give a reply where requested to do so. Deviations and/or equivalents shall be clearly stated and fully detailed. Deviations and/or equivalents will be considered subject to evaluation. In every instance where a brand name or design specifications is used, the City will also consider deviations and/or equivalents.
- 1.3 Lengthy explanations of deviations may be included in a separate document and must reference the appropriate Detailed Specification.
- 1.4 Each Bidder is required to fill in every blank. Failure to do so may be used as a basis for rejection of bid.
- 1.5 It will be the responsibility of the Bidder to inform the City of any errors or omissions in these Detailed Specifications, for under this Contract, the Contractor shall be held responsible to ensure that the manufacturer will be responsible for the design, performance, reliability and satisfactory operational function of the unit.

2.0 DESCRIPTION OF EQUIPMENT

- 2.1 These specifications describe **Compact Tracked Loader** and other equipment and features as specified herein.
- 2.2 The **Compact Tracked Loader** shall be a new 2021 model year or newer.
- 2.3 The **Compact Tracked Loader** and all other items/components shall be the manufacturer's latest model. The equipment shall be furnished complete and ready for operation. Any parts or accessories not specifically mentioned, but which are required to complete and place the equipment and associated attachments in successful operation shall be furnished as though specifically mentioned in these specifications. The equipment and associated attachments, and all parts thereof, shall conform in strength and quality of material and workmanship, to the best standards and engineering practice of the industry.
- 2.4 The **Compact Tracked loader** shall be the manufacturer's latest model, as may be modified by these specifications. The **Compact Tracked loader**, including all auxiliary equipment, shall be furnished complete and ready for use. All parts not specifically mentioned but which are required for the complete unit shall conform in strength, quality of material and workmanship, to the best standards and engineering practice in the industry.
- 2.5 The ratings specified herein merely state the minimum values acceptable to the City, not implying that those values are sufficient for the design of the particular equipment being bid.

3.0 OTHER SPECIFICATIONS AND STANDARDS

- 3.1 All applicable SAE Standards form an integral part of the vehicle specifications and shall have precedence in any conflict concerning minimum acceptable standards.
- 3.2 The **Compact Tracked Loader** shall comply with the applicable regulations:

Transport Canada, National Safety Mark, NSM: <http://www.tc.gc.ca/eng/acts-regulations/acts-road.htm>

Manitoba Safety and Health Regulation, Parts 12, 16, 22: <https://web2.gov.mb.ca/laws/statutes/ccsm/w210e.php>

Canadian Motor Vehicle Safety Standards C.M.V.S.S. <https://tc.canada.ca/en/corporate-services/acts-regulations/list-regulations/motor-vehicle-safety-regulations-crc-c-1038>

Manitoba Highway Traffic Act regulations and requirements including, but not limited to, a Manitoba Government Inspection with Safety Sticker. <http://web2.gov.mb.ca/laws/regs/index.php?act=h60>

Canadian Standards Association, CSA: <http://www.csagroup.org/>

Under Writers of Canada, U/L: <http://www.ulc.ca/>

Society of Automotive Engineers, SAE: <http://www.sae.org/>

City of Winnipeg Lighting Visibility Standard: <http://winnipeg.ca/matmgt/pdfs/PublicWorksEquipLightingVisibility.pdf>

Manitoba Building Code: <https://web2.gov.mb.ca/laws/regs/current/pdf-regs.php?reg=31/2011>

- 3.3 All welding and welding designs of the load supporting elements shall conform to the requirements of the Canadian Standards Association Standard (CSA) W47.1-03 and W59-03.

4.0 REFERENCES

- 4.1 Provide five (5) references where this equipment is used in a working environment where climatic conditions are similar to the City of Winnipeg.

5.0 MAKE & MODEL

- 5.1 State year, make and model being bid: _____

6.0 PERFORMANCE RELIABILITY

- 6.1 The responsibility for the design of the **Compact Tracked Loader**, its performance and reliability shall rest upon the Contractor.

- 6.2 The term “repeated failures” as used herein is defined to mean that the same component, subassembly, or assembly develops repeated defects, breakdowns and/or malfunctions rendering the vehicle inoperative, or requiring repeated shop correction, service and/or replacement during the warranty period applicable for said component, subassembly, of assembly. Minor items or ordinary service adjustments are not included, or considered under the scope of “repeated failures”, as well as other factors, such as operational damage due to accidents, misuse or lack of proper maintenance, service and lubrication attention by not following the manufacturer’s preventative maintenance schedule.

- 6.3 Where the **Compact Tracked Loader** develops “repeated failures” in service, the Contractor shall make any necessary engineering changes, repairs, alterations or modifications in order to guarantee reliability of performance.

- 6.4 The equipment shall be capable of consistent top performance in City of Winnipeg Environment. Note: The City of Winnipeg has four seasons with ambient temperatures ranging from approximately 90°F (32°C) to -40°F (-40°C).

7.0 FUEL

- 7.1 Where applicable, all equipment must be fully fueled upon delivery (no exceptions).

8.0 QUALIFICATIONS OF MANUFACTURER & CONTRACTOR

- 8.1 The manufacturer of the **Compact Tracked Loader** shall have five (5) years continuous experience manufacturing the equipment.

- 8.2 The manufacturer shall have in effect a documented quality control program ensuring that the quality of materials and workmanship, including welding, conforms to the best standards and engineering practice of the industry.

- 8.3 The Contractor shall have five (5) years continuous experience servicing, repairing and maintaining **Compact Tracked Loader** of the type being offered.

9.0 SPECIFICATIONS:

ENGINE

- 9.1 Engine make & model **State:** _____
- 9.2 Engine specification Diesel, Tier IV final, must meet current Emission Standards. Engine exhaust to be rear discharge. _____
- 9.3 Horsepower – Net (SAE J1349) Net Approx. 88-92 HP. **State** _____
- 9.4 Torque – Net (SAE J1349) Approx. 280 lb.-ft. of torque Net **State:** _____
- 9.5 Cylinders Four (4) cylinder. _____
- 9.6 Engine Block Heater and starting aids For cold weather operation. Glow plugs, **State:**_____ Block heater Type, **State:**_____
- 9.7 Air Cleaner Dry dual element. _____
- 9.8 Fuel capacity Approx. 115L (30USG) to 165L (43 USG). The City of Winnipeg requires units to carry enough fuel to run 10hr shifts without refueling. _____

ELECTRICAL SYSTEM

- 9.9 Voltage 12 Volt system. _____
- 9.10 Alternator Approx. 100 amp, **State** _____
- 9.11 Battery Heavy Duty approx. 925 CCA, **State** _____
- 9.12 Lockable power disconnect switch Connected to battery. Prevents low-draw accessories from draining battery in long-term storage. Switch to be lockable with a pad lock. _____
- 9.13 12Volt 3 pin and 14 pin attachment control harness. All attachments shall be compatible with equipment being offered. Additional components such as wire harnesses to ensure compatibility shall be included with the attachments. _____

HYDRAULIC SYSTEM

- 9.14 Pump Type Engine driven, gear type, **State** _____
- 9.15 Pump Capacity (High-Flow) Approximately 35 - 40 gpm, **State** _____
- 9.16 Cold Operation Rated With self-leveling. _____
- 9.17 System Relief at Quick Couplers Approximately 3500 psi, **State.** _____

9.18 Hydraulic quick attach coupler For loader buckets and attachments. _____
• Equipped with a universal quick attach system.
• Hydraulic control.
• Controlled from within the cab.
• Compatible with all attachments.

9.19 Hydraulic fittings _____
• Includes all fittings for connection of hydraulic power required for operation of all attachment and accessories
• Flat face hydraulic quick disconnects

DRIVE SYSTEM

9.20 Main Drive Hydrostatic _____
9.21 Transmission Two (2) Speed, high and low. _____
9.22 Track Material Rubber **State:** _____
9.23 Track Width Approximately 17 inches _____
State track width.
9.24 Track – Length on Ground Approximately 64 inches _____
State Length on Ground

DIMENSIONS

9.25 Length Approx. 122 in. without attachment, **State.** _____
9.26 Length With Bucket approx. 146 in., **State.** _____
9.27 Height To ROPS approx. 90 in., **State.** _____
9.28 Height To bucket hinge pin at maximum lift approx. 132 in., **State.** _____
9.29 Width Without bucket approx. 80 in., **State.** _____
9.30 Operating weight Approx. 10500-12000 lbs., **State.** _____
9.31 Turning radius Approx. 88-90 in., **State.** _____
9.32 Dump Reach Reach at maximum dump height approx. 35 in., **State.** _____

PERFORMANCE

9.33 Rated Operating Capacity Approximately 3100-3500 lbs. **State.** _____
(35% of Tip)
9.34 SAE Rated Operating Capacity Approximately 4500-5000 lbs. **State.** _____
(50% of Tip)
9.35 Tipping Load Approximately 9100 lbs. **State.** _____

9.36	Boom Break Out Force	Approximately 6000 lbs. State.	_____
9.37	Bucket Break Out Force	Approximately 7600 - 10300 lbs. State. (dependent on bucket type).	_____
9.38	Travel Speed (2 Speed)	Approximately 12.5 kph, State.	_____

OPERATOR STATION

9.39	Operation	Joystick, control (ISO/H pattern)	_____
9.40	Steering control	Direction and speed controlled joystick(s)	_____
9.41	Loader controls	Selectable joystick control, return-to-dig and float. Self-leveling bucket.	_____
9.42	OEM Ride Control	State.	_____
9.43	Instrumentation	Coolant temperature-gauge with audible alarm. Engine oil pressure- gauge or warning light with audible alarm. Engine hour meter-non resettable type, tachometer, fuel gauge.	_____
9.44	Arm rests	Adjustable.	_____
9.45	Antitheft system	State type.	_____
9.46	Windows	Front, rear and side windows, made from tempered safety glass.	_____
9.47	Windshield wiper	Front windshield wiper provided with a windshield washer system.	_____
9.48	Heat and air conditioning	With pressurized cab. Air conditioning with heater/defroster.	_____
9.49	Seat belt	Seat belt with shoulder harness.	_____
9.50	Sound deadening	Sound proof package.	_____
9.51	Seat	Cloth, air suspension seat with arm rests.	_____
9.52	Horn	Operator controlled.	_____
9.53	Mirrors	Rear view mirror(s).	_____
9.54	Windows	Side windows.	_____
9.55	Fuel cap	Locking.	_____
9.56	Parking brake	Spring applied, hydraulically released.	_____
9.57	Radio	AM/FM/CD or MP3.	_____
9.58	Rear view camera	OEM installed with guard protection to minimize damage risk.	_____

SAFETY EQUIPMENT

9.59	In cab boom lock	Preferred but not required, State	_____
9.60	ROPS Roll Over Protective Structure	Must meet SAE and ISO Standards State: _____	_____
9.61	FOPS Falling Object Protective Structure	Must meet SAE and ISO Standards State: Level of Certification _____	_____
9.62	Grab handles	Entry/exit area.	_____
9.63	Fire Extinguisher	Five (2.5) lbs. High volume ABC type, State location	_____
9.64	Back up alarm	State dB	_____
9.65	Safety lighting	Make and Model: Whelen L31HABF Series Super-LED, SAE Class 1 Blue/Amber (individual control) Low Dome Beacon, permanent mount on top of ROPS and wired to the ignition.	_____
9.66	Beacon guard	Ramped, heavy duty bolt-on metal guard, designed to permit servicing of beacon without being removed.	_____
9.67	Slow moving sign	Slow-moving vehicle warning triangle	_____
9.68	Work lights LED	Four (4) Front and one (1) rear work lights.	_____

ATTACHMENTS

Note: Attachments to be priced only as indicated on Form B: Prices.

Attachments. Unit(s) will come with the following attachments. Attachments to be appropriate size in regard to size of the compact tracked loader.

9.69	Construction bucket	Approx. 84" width <ul style="list-style-type: none"> • Bolt-on cutting edge. • Rounded interior. • 0.65 yd³ heaped capacity State: <ul style="list-style-type: none"> • Make: _____ • Model: _____ • Part number: _____ • Overall width: _____ 	_____
------	---------------------	---	-------

- 9.70 Snow bucket _____
Approx. 84" width, 1.75 yd³ capacity.
 - Bolt-on cutting edge
 - Wear plates required to prevent bucket heel from rubbing on ground with bolt-on cutting edge in place.
 - Width to exceed width at rear tires.**State:**
 - Make: _____
 - Model: _____
 - Part number: _____
 - Overall width: _____
- 9.71 4 in 1 combination bucket _____
4 in 1 combination
 - with and bolt-on cutting edge.
 - Approx. width 84" with 0.75 yd³ capacity,
 - Replaceable bolt-on cutting edges for all three edges of the bucket.**State:**
 - Make: _____
 - Model: _____
 - Part number: _____
 - Overall width: _____
- 9.72 Power rake _____
Approx. 84" width
 - Hydraulically driven.
 - Weight: approx. 1200lbs
 - Degree of angle: approx. 25 degrees left or right.
 - Number of teeth: approx. 140.**State:**
 - Make: _____
 - Model: _____
 - Part number: _____
 - Overall width: _____
- 9.73 Vibratory roller _____
Approx. 84" width
 - Hydraulically driven.
 - With smooth drum.
 - Oscillation +/- 7 degrees.
 - Weight: approx. 2300 lbs.
 - Frequency approx. 2800 vpm.**State:**
 - Make: _____
 - Model: _____
 - Part number: _____
 - Overall width: _____

9.74 Toothed digging bucket _____
Approx. 84" width
• 0.75 yd³ heaped capacity.
• Flat bottom.
• Replaceable Bolt-on teeth
• For loosening compacted soil.

State:

- Make: _____
- Model: _____
- Part number: _____
- Overall width: _____

9.75 Snow blower _____
Approx. 82" width.
• Hydraulically driven, two stage operation.
• Discharge chute/deflector: in cab controlled.
• Adjustable/replaceable skid shoes.
• Replaceable steel cutting edges.
• Chute rotation: 270 degrees.
• Control: hydraulic

State:

- Make: _____
- Model: _____
- Part number: _____
- Overall width: _____

9.76 Snow V-Blade _____
Approx. 98" width straight, 85" width v-configuration.
• Oscillation +/- 10 degrees.
• Height approx. 28 in.

State:

- Make: _____
- Model: _____
- Part number: _____
- Overall width: _____

9.77 Auger _____
• Hydraulically driven
• Approximately Output torque range of 2500 to 3000 ft-lb.
• Output shaft: 2in. hex head adapter
• Supplied with 12-in. bit.

State:

- Make: _____
- Model: _____
- Part number: _____
- Overall width: _____

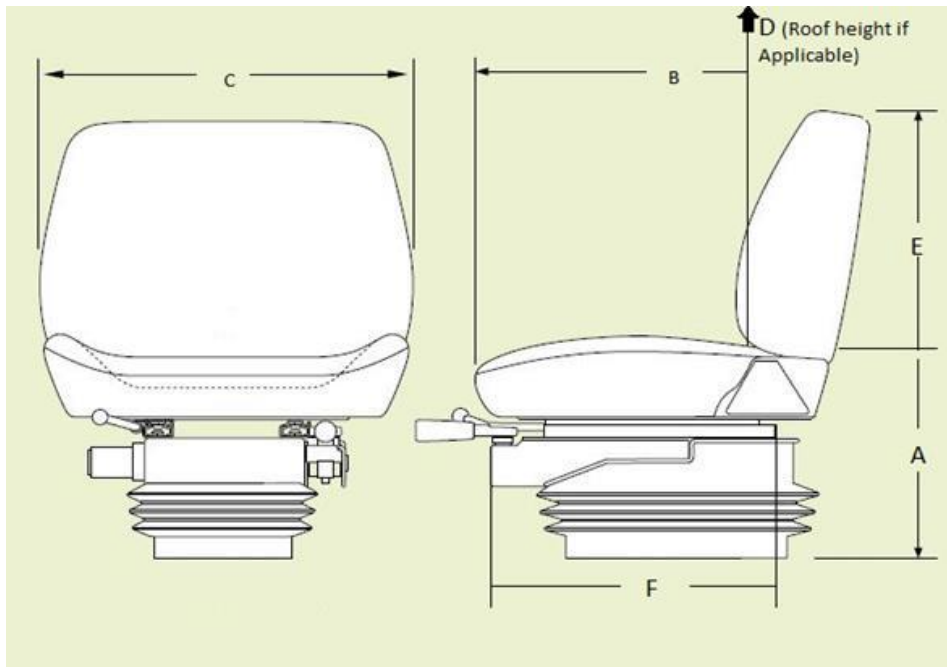
10.0 **OPERATOR STATION**
ERGONOMICS

Entry/ Exit

- | | | | |
|------|------------------------------|---|-------|
| 10.1 | First step entry height | State , height of first step in inches. | _____ |
| 10.2 | First handhold entry height | State , first handhold entry height in inches. | _____ |
| 10.3 | Access to equipment | State , door opening height in inches. | _____ |
| 10.4 | Access to equipment | State , door opening width in inches. | _____ |
| 10.5 | Designed to prevent slipping | Anti-slip steps/handholds (Y or N) ? | _____ |

Seat (use below diagram to answer questions)

10.6



- | | | | |
|-------|---|--|-------|
| 10.7 | Sitting height range from floor (where feet rest) (A) | State , seat height range in inches. | _____ |
| 10.8 | Seat length/depth (B) | State , seat length/depth in inches. | _____ |
| 10.9 | Seat width (C) | State , seat width in inches. | _____ |
| 10.10 | Cab height from seat to roof (if applicable) (D) | State , cab height range in inches. | _____ |
| 10.11 | Back rest height (E) | State , back rest height in inches. | _____ |
| 10.12 | Seat travel range (F) | State , seat travel in inches. | _____ |
| 10.13 | Lumbar support | Is lumbar support provided (Y or N) ? | _____ |
| 10.14 | Head rest | Is head rest provided (Y or N) ? | _____ |
| 10.15 | Seat is made of breathable material | State , type of seat material. | _____ |

Cargo Area

- | | | | |
|-------|-------------------------------------|--------------------------------------|-------|
| 10.16 | Lid opens to provide adequate space | Lid opens to provide adequate space. | _____ |
|-------|-------------------------------------|--------------------------------------|-------|

10.17 Loading height **State**, trunk height in inches. _____

Environment

10.18 Operator compartment is insulated from equipment noise (while operating) **State**, dBA inside cab while operating. _____

10.19 Operator insulated from equipment vibration Is operator insulated from vibration (**Y or N**)? _____

10.20 Heating/cooling systems **State**, cab temperature range. _____

10.21 Cab lighting **State**, lumens inside cab. _____

11.0 **WARRANTY**

11.1 All warranty information shall be detailed and include all exclusions. The Contractor shall provide all published warranty information upon delivery of the equipment. Bidder shall state all warranty information.

11.2 Basic coverage **State:** _____

11.3 Powertrain **State:** _____

11.4 Hydraulics warranty **State:** _____

11.5 Batteries warranty **State:** _____

11.6 Tires warranty **State:** _____

11.7 Electrical warranty **State:** _____

12.0 **DELIVERY**

12.1 Delivery Point: The complete unit shall be serviced, ready for operation and delivered F.O.B. with the freight prepaid, including invoice and N.I.V.S. (if applicable) to the WFMA 185 Tecumseh Street, Winnipeg MB _____

12.2 **State:** earliest delivery time from date of award: _____

Equipment shall be delivered between 8:00 am and 2:00 pm on Business Days.

12.3 Delivery Contact: The Contractor shall contact the Contract Administrator prior to delivery of the equipment. _____

12.4 P.D.I: A pre-delivery inspection shall be performed by the Contractor on the equipment. Proof upon inspection including completed check list _____

13.0 **MANUALS**

13.1 Manuals supplied under this contract. The manuals shall cover the complete equipment including all components thereof, CD or USB flash drive is preferred where available. _____

13.2 The following manuals shall be supplied with the units when delivered:

a) Operator's manual – Three (3) per unit (one operator manual shall be sent to the Equipment Operator Training Branch. _____

b) Parts and service manuals – one (1) complete sets including preventative maintenance schedules. CDs or USB flash drive are preferred. _____

14.0 **FIRST SERVICE PREVENTATIVE MAINTENANCE KIT**

14.1 In order to assure minimum downtime of the equipment in future service, the Contractor shall provide one (1) complete replacement set of new OEM filters for each unit purchased. The set of required filters shall include (if applicable to the equipment type) air, fuel, oil, cab and hydraulic, or otherwise all known necessary common replacement filters required for the first preventative maintenance servicing. _____

14.2 The Contractor shall provide a list of factory recommended lubricants to be used with the equipment, as well as a complete cross reference guide for all warranty approved lubricants and filters that can be used during preventative maintenance servicing. _____

15.0 **PARTS/LABOUR PRICING**

15.1 Bidder to provide City of Winnipeg Parts Discount % Pricing from retail parts pricing. **State percentage discount-** % _____

15.2 Bidder to provide City of Winnipeg Labor Discount % Pricing from Retail shop labor rate. **State percentage discount-** % _____