

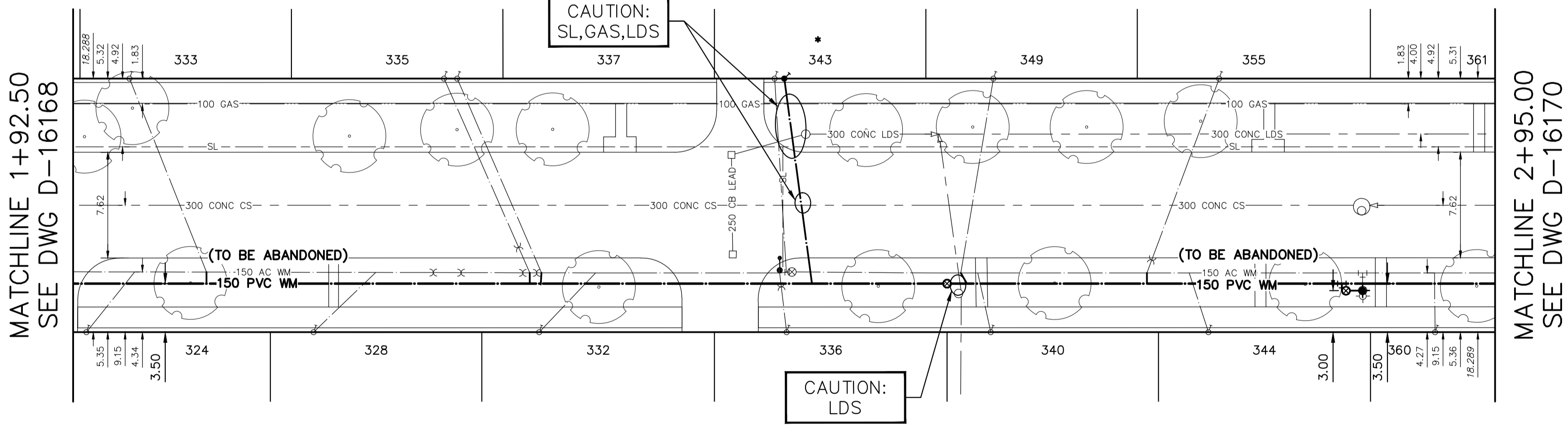
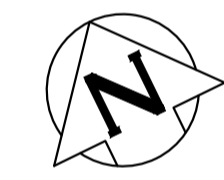
**WATER SERVICE INFORMATION**

ADDRESS	SIZE (mm) MATERIAL (STREET)	SIZE (mm) MATERIAL (PROP.)	SHORT & LONG MEASUREMENT	CORP LOCATION	REMARKS
324 HELMSDALE AVE	12 CU	12 CU	1.84 EWL HSE	3.5 E OF S/C	RECONNECT SERVICE
328 HELMSDALE AVE	12 CU	12 CU	2.24 EWL HSE	4.4 E OF S/C	RECONNECT SERVICE
332 HELMSDALE AVE	12 CU	12 CU	109.840 EEL BRAZIER ST	4.1 E OF S/C	RECONNECT SERVICE
333 HELMSDALE AVE	12 CU	12 CU	2.05 EWL HSE	5.5 E OF S/C	RECONNECT SERVICE
335 HELMSDALE AVE	12 CU	12 CU	96.570 EEL BRAZIER ST	6.2 E OF S/C	RECONNECT SERVICE
336 HELMSDALE AVE	12 CU	12 CU	115.480 EEL BRAZIER ST	0.5 W OF S/C	RECONNECT SERVICE
337 HELMSDALE AVE	20 CU	20 CU	3.76 EWL HSE	6.1 E OF S/C	RECONNECT SERVICE
340 HELMSDALE AVE	12 CU	12 CU	120.190 EEL BRAZIER ST	0.9 W OF S/C	RECONNECT SERVICE
343 HELMSDALE AVE	12 CU	12 CU	0.94 EWL BLDG	1.1 E OF S/C	RENEW TO R W/20 CU
344 HELMSDALE AVE	12 CU	12 CU	158.650 EEL BRAZIER ST	1.4 W OF S/C	RECONNECT SERVICE
349 HELMSDALE AVE	12 CU	12 CU	2.21 EWL BLDG	2.3 W OF S/C	RECONNECT SERVICE
355 HELMSDALE AVE	20 CU	20 CU	143.070 EEL BRAZIER ST	5.2 W OF S/C	RECONNECT SERVICE
360 HELMSDALE AVE	20 CU	20 CU	3.87 EWL HSE	OPP S/C	RECONNECT SERVICE
361 HELMSDALE AVE	20 CU	20 CU	175.110 EEL BRAZIER ST	-	RECONNECT SERVICE
361 HELMSDALE AVE	-	-	3.67 EWL HSE	-	-
361 HELMSDALE AVE	-	-	190.670 EEL BRAZIER ST	-	-
361 HELMSDALE AVE	-	-	9.18 EWL HSE	-	-
361 HELMSDALE AVE	-	-	196.320 EEL BRAZIER ST	-	-

\* SERVICES TO BE RENEWED TO R. ALL OTHERS TO BE RECONNECTED

NOTE: CHAINAGES SHOWN ARE ALONG S. R. OF HELMSDALE AVENUE

**HELMSDALE AVENUE**

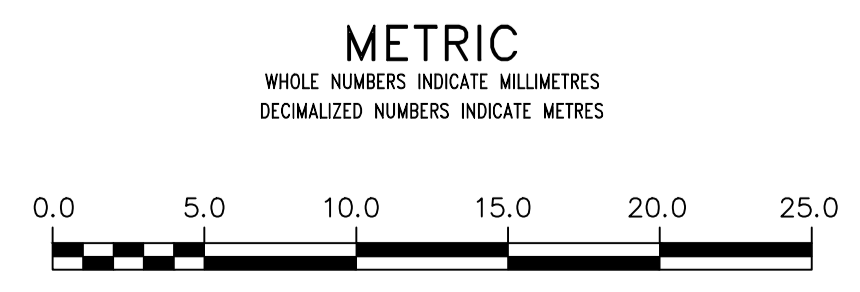


MATCHLINE 1+92.50  
SEE DWG D-16168

MATCHLINE 2+95.00  
SEE DWG D-16170

FOR INDEX SEE D-16167

NOTE: ALL VALVES TO BE INSTALLED COUNTERCLOCKWISE TO CLOSE



**WARNING**  
IF POWER EQUIPMENT OR EXPLOSIVES ARE TO BE USED FOR EXCAVATION ON THIS PROJECT THE CONTRACTOR MUST:  
1) NOTIFY THE GAS COMPANY OF THE PROPOSED LOCATION OF EXCAVATION.  
2) TAKE PRECAUTION TO AVOID DAMAGE TO GAS COMPANY INSTALLATIONS.  
SEE PROVINCIAL REGULATION 210/72 FOR DETAILS

**LOCATION APPROVED UNDERGROUND STRUCTURES**  
SUPV. U/G STRUCTURES COMMITTEE DATE  
NOTE:  
LOCATION OF UNDERGROUND STRUCTURES AS SHOWN ARE BASED ON THE BEST INFORMATION AVAILABLE BUT NO GUARANTEE IS GIVEN THAT ALL EXISTING UTILITIES ARE SHOWN OR THAT THE GIVEN LOCATIONS ARE EXACT. CONFIRMATION OF EXISTENCE AND EXACT LOCATION OF ALL SERVICES MUST BE OBTAINED FROM THE INDIVIDUAL UTILITIES BEFORE PROCEEDING WITH CONSTRUCTION.

VERTICAL DATUM: CGVD28 (HT2.0 Geoid)  
HORIZONTAL DATUM: NAD83 (June 1990), Zone 14

NO.	REVISIONS	DATE	BY

DESIGNED BY	JB	CHECKED BY	SC
DRAWN BY	AJ	APPROVED BY	KZ
SCALE:			
HORIZONTAL	1:250		
VERTICAL	1:50		
DATE	2022 03 14		
PLOT DATE:	2022 03 14		

ENGINEER'S SEAL  
CONSULTANT DRAWING NUMBER

**THE CITY OF WINNIPEG**  
WATER AND WASTE DEPARTMENT  
ENGINEERING DIVISION

2022 WATER MAIN RENEWALS  
CONTRACT 1  
HELMSDALE AVENUE  
92.5 E OF BRAZIER STREET TO  
195 E OF BRAZIER STREET

SHEET 4 OF 11  
CITY DRAWING NUMBER  
D-16169