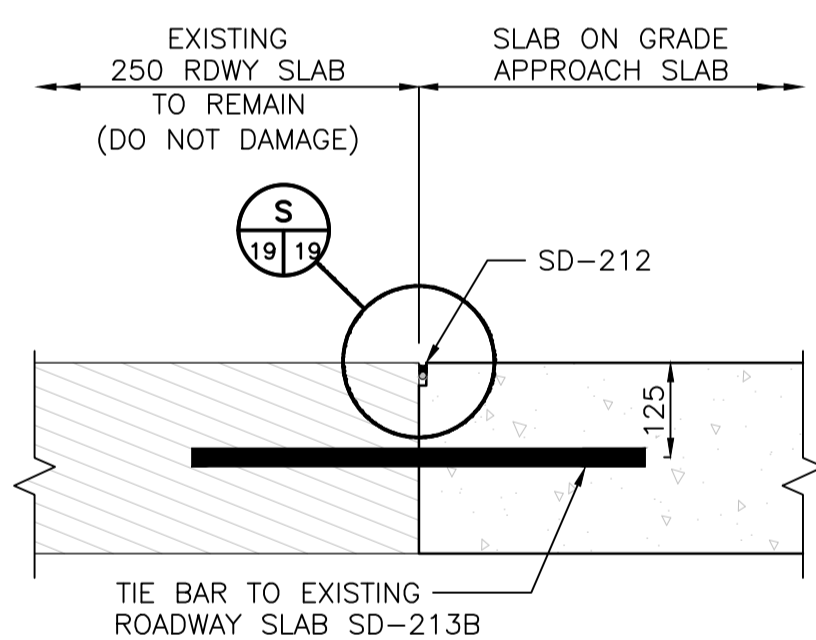
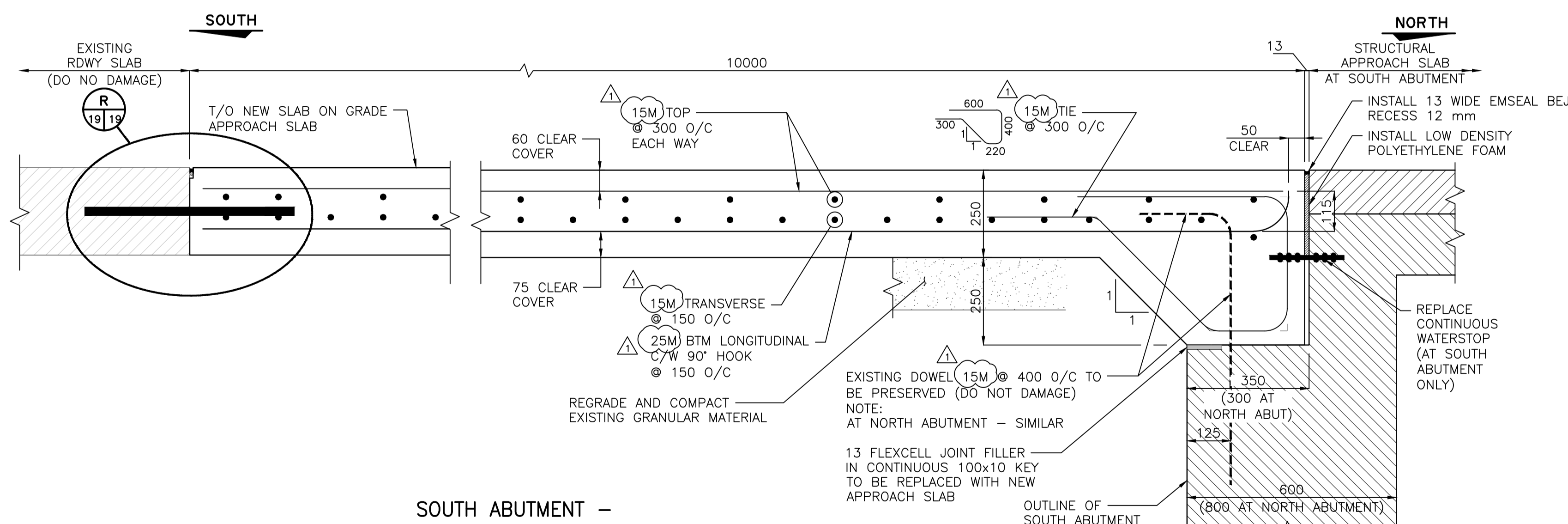


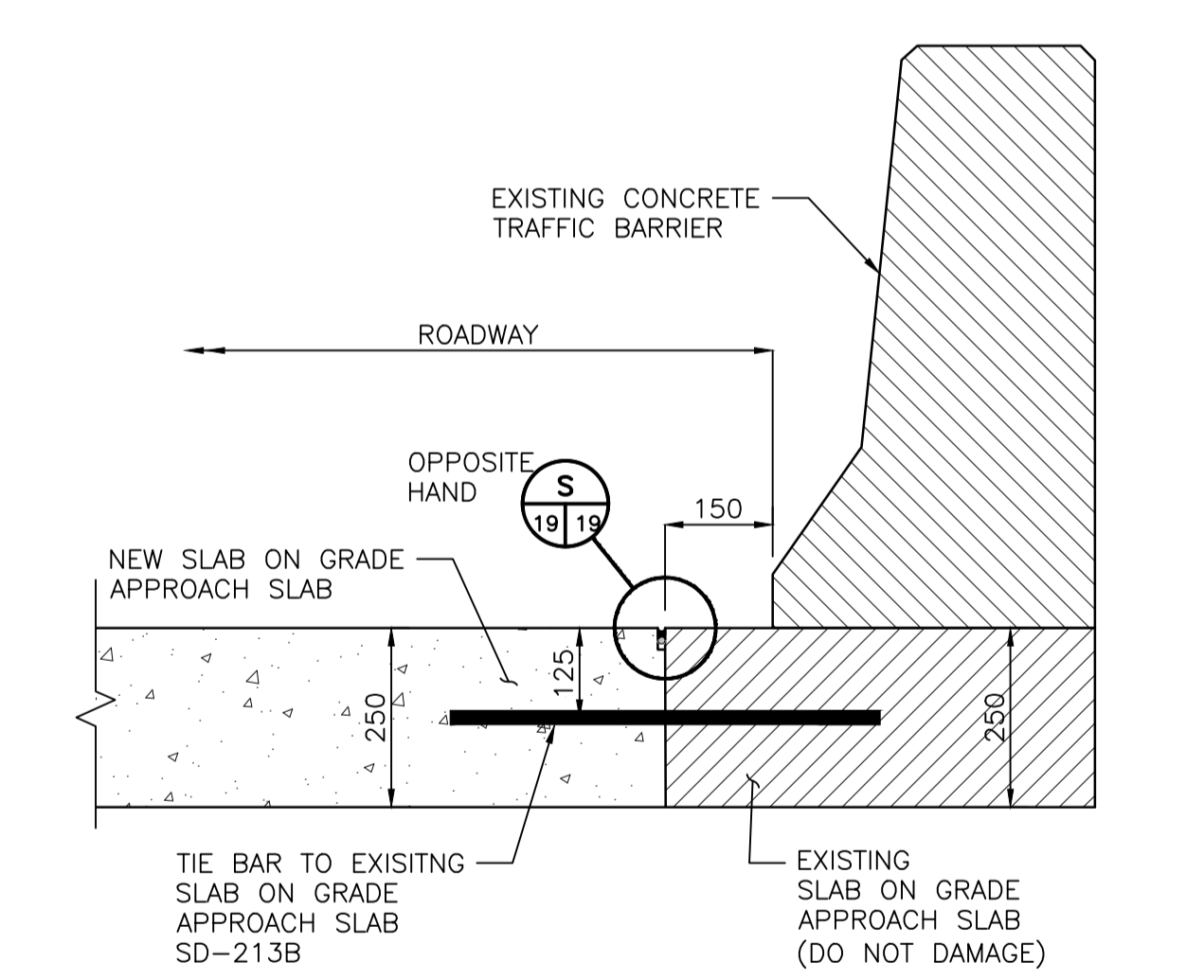
DETAIL SECTION -
SLAB ON GRADE APPROACH SLAB
AT WEST TRAFFIC BARRIER
K 16/19 1:10



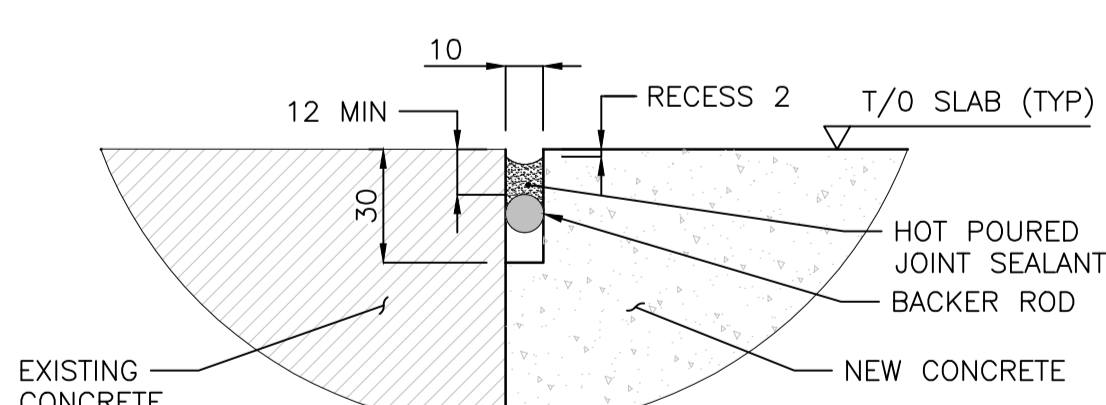
TYPICAL SLAB JOINT DETAIL
R 19/19 1:10



SOUTH ABUTMENT -
NEW SLAB ON GRADE
APPROACH SLAB REINFORCEMENT DETAIL
P 16/19 1:10



DETAIL SECTION -
SLAB ON GRADE APPROACH SLAB
AT EAST TRAFFIC BARRIER
J 16/19 1:10



TYPICAL JOINT DETAIL (SD-212)
S 19/19 1:2

METRIC
WHOLE NUMBERS INDICATE MILLIMETRES
DECIMALIZED NUMBERS INDICATE METRES



B.M. ZONE35 BM27 (CONCRETE FOUNDATION OF PUMP STATION AT NORTH END OF MAIN ST. BRIDGE, WEST SIDE OF MAIN ST.) ELEV. 232.203		Stantec 500 - 311 Portage Avenue, Winnipeg MB Canada www.stantec.com	
DESIGNED BY	T. MINION	CHECKED BY	J. DAHL
DRAWN BY	M. BUCZYNSKA	APPROVED BY	J. DAHL
HOR. SCALE:	AS NOTED	RELEASED FOR CONSTRUCTION:	
VERTICAL:	AS NOTED	DATE	9 FEBRUARY 2023
NO. REVISIONS	DATE	BY	
1	23.03.01	JD	ISSUED FOR ADDENDUM 1
0	23.02.09	TM	ISSUED FOR TENDER

ENGINEER'S SEAL	THE CITY OF WINNIPEG PUBLIC WORKS DEPARTMENT ENGINEERING DIVISION	SHEET 19 OF 20
CONSULTANT DRAWING NO. B104-23-11		CAD FILE DRAWING NUMBER b104-23-11.dwg
2023 BRIDGE MAINTENANCE NORWOOD AND MAIN STREET SB BRIDGE DECK REHABILITATIONS MAIN STREET SB BRIDGE STRUCTURAL DETAILS - SHEET 4 OF 4		CITY DRAWING NUMBER B104-23-11

\\C:\045\proj\01\work\proj\1137\cadd\113739883\0300_drawing\0302_sheet_11.dwg
 2023.03.01 11:10 AM BUCZYNSKA, MARGARITA