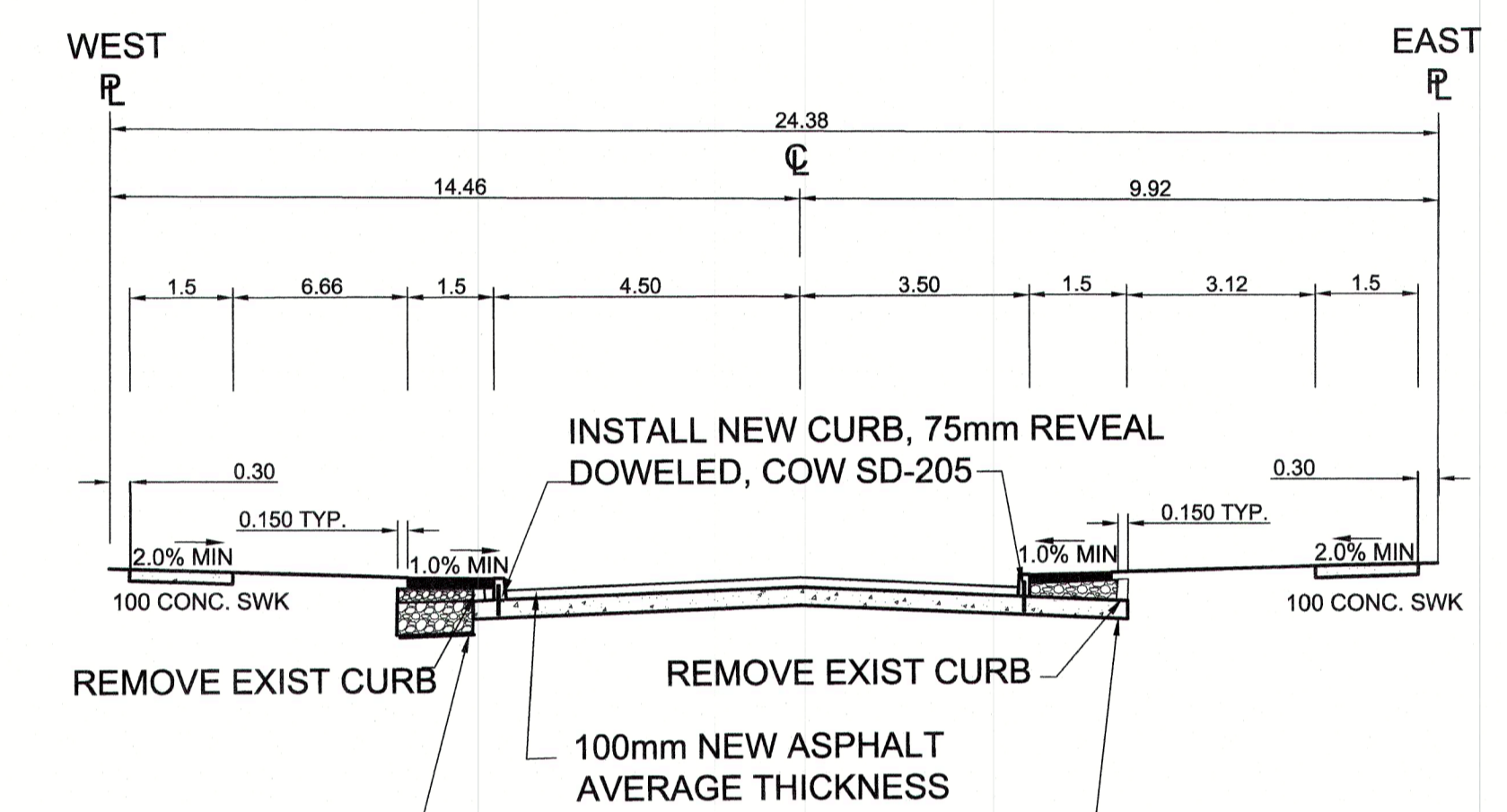


1 PAVEMENT WIDENING TYPICAL CROSS SECTION-5
Scale NTS



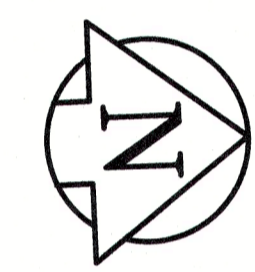
ASPHALT PATH
75mm ASPHALT PAVEMENT (TYPE 1A)
125mm - BASE COURSE (GRANULAR A)
GEOGRID
150mm - 50mm SUB-BASE (GRANULAR A)
GEOTEXTILE FABRIC

ASPHALT PATH
75mm ASPHALT PAVEMENT (TYPE 1A)
VARIES - BASE COURSE (GRANULAR A)

2 ASPHALT PATH TYPICAL CROSS SECTION-4
Scale NTS

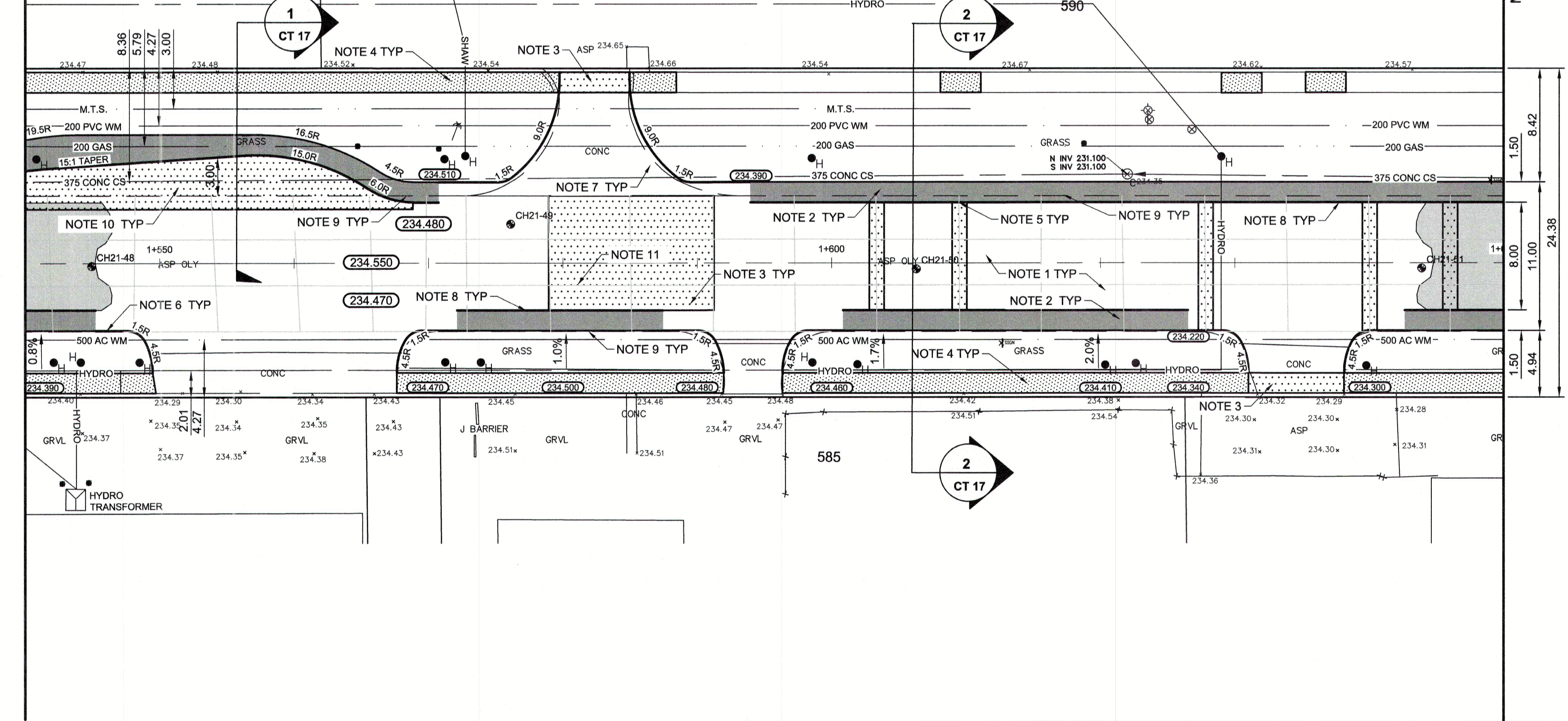
- REFERENCE NOTES:**
- PAVEMENT DIMENSIONS ARE TO BACK OF CURB
 - BASELINE IS CENTRE LINE ROADWAY
 - PROPERTY LINES OBTAINED FROM CITY OF WINNIPEG L.B.I.S., AND NO SCALE FACTOR WAS APPLIED
 - REFER TO AECOM FIELD BOOK NO. 5113

- CONSTRUCTION NOTES:**
- CONSTRUCT NEW ASPHALT PAVEMENT OVERLAY TYPE 1A (100mm AVG. THICKNESS)
 - CONSTRUCT NEW ASPHALT BIKE PATHWAY PAVEMENT TYPE 1A (75mm THICKNESS) C/W COMPACTED 125mm OF LIMESTONE BASE COURSE, GEOGRID, 150mm OF 50mm LIMESTONE SUB-BASE AND SEPARATION/FILTRATION GEOTEXTILE.
 - REMOVE EXISTING CONCRETE PAVEMENT AND CONSTRUCT NEW 150mm REINFORCED CONCRETE PAVEMENT
 - RENEW EXISTING CONCRETE SIDEWALK
 - INSTALL CONCRETE BARRIER CURB (SEPARATE SD-203A 75mm REVEAL)
 - REMOVE EXISTING BARRIER CURB AND CONSTRUCT NEW CONCRETE BARRIER CURB (75mm REVEAL HT. DOWELED)
 - REMOVE EXISTING CURB AND CONSTRUCT NEW MODIFIED BARRIER CURB (150mm REVEAL).
 - CONSTRUCT NEW CONCRETE BARRIER CURB (75mm REVEAL HT. DOWELED)
 - REMOVE EXISTING CONCRETE BARRIER CURB.
 - CONSTRUCT PAVEMENT WIDENING, SEE SECTION-C FOR DETAILS
 - CONTRACT ADMINISTRATOR TO DETERMINE LOCATIONS FOR INSTALLATION OF PAVEMENT REPAIR FABRIC PRIOR TO ASPHALT PAVING



MATCHLINE STATION 1+540

MATCHLINE STATION 1+650



EXISTING	LEGEND - PLAN	PROPOSED	EXISTING	LEGEND - PLAN	PROPOSED	EXISTING	LEGEND - PROFILE	PROPOSED
150mm W.M.	WATERMAIN	150mm W.M.	---	HYDRO	---	---	Q PROFILE	---
300mm L.D.S.	LAND DRAINAGE SEWER	300mm L.D.S.	---	M.T.S.	---	---	WEST GUTTER	---
250mm W.W.S.	WASTEWATER SEWER	250mm W.W.S.	---	CONCRETE	---	---	EAST GUTTER	---
○	MANHOLE	●	---	ASPHALT	---	---	WEST PROPERTY LINE	---
□	CATCH BASIN	■	---	PROPERTY LINE	---	---	EAST PROPERTY LINE	---
▽	CATCH PIT	▼	---	SURVEY BAR	---	---		
+	JUNCTIONS	+	---	ELEVATION	(235.750)	---		
▭	CULVERT	▭	---	TREE	---	---		
○	GAS	○	---	SIDEWALK RAMP	---	---		
---	---	---	---	CONCRETE SIDEWALK	---	---		
---	---	---	---	FENCE	---	---		

LOCATION APPROVED UNDERGROUND STRUCTURES

SUPV. U/G STRUCTURES COMMITTEE DATE

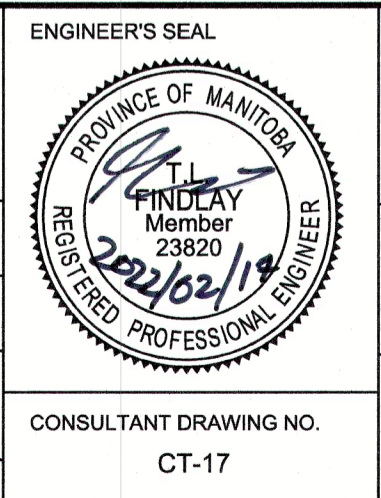
NOTE:
LOCATION OF UNDERGROUND STRUCTURES AS SHOWN ARE BASED ON THE BEST INFORMATION AVAILABLE, BUT NO GUARANTEE IS GIVEN THAT ALL EXISTING UTILITIES ARE SHOWN OR THAT THE GIVEN LOCATIONS ARE EXACT. CONFIRMATION OF EXISTENCE AND EXACT LOCATION OF ALL SERVICES MUST BE OBTAINED FROM THE INDIVIDUAL UTILITIES BEFORE PROCEEDING WITH CONSTRUCTION.

#30 N.W. Corn. Queen St. & Silver Ave., Tblt. in S. Corn. foundation No. 424 Queen St., 1m E. & 0.2m below. ELEV: ELEVATION: 234.449m. BOOK # 5113.

NO.	REVISIONS	DATE	BY
A	ISSUED FOR TENDER	02/17/2022	BC
A	ISSUED FOR REVIEW	01/28/2022	BC



DESIGNED BY: BC	CHECKED BY: BC/TF
DRAWN BY: AA	APPROVED BY:
HOR. SCALE: 1=250	RELEASED FOR CONSTRUCTION BY:
VERTICAL: 1=10	
DATE: 02/17/2022	DATE:



ENGINEERS GEOSCIENTISTS MANITOBA

Certificate of Authorization
AECOM Canada Ltd.
No. 4671 Date: 2022/02/19

THE CITY OF WINNIPEG
PUBLIC WORKS DEPARTMENT
ENGINEERING DIVISION

2022 LOCAL AND INDUSTRIAL STREET RENEWAL PROGRAM

BERRY STREET - PORTAGE AVENUE TO ELLICE AVENUE
ASPHALT PAVEMENT REHABILITATION
STATION 1+540 TO STATION 1+650

CITY DRAWING NUMBER
SHEET 17 OF 19

METRIC
WHOLE NUMBERS INDICATE MILLIMETRES
DECIMALIZED NUMBERS INDICATE METRES