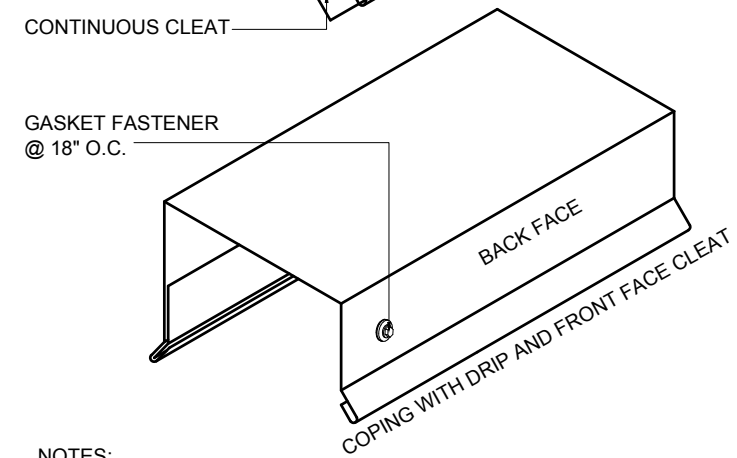
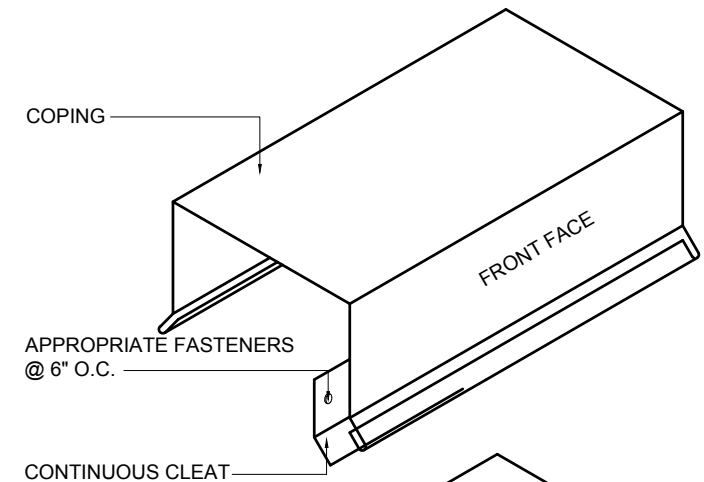
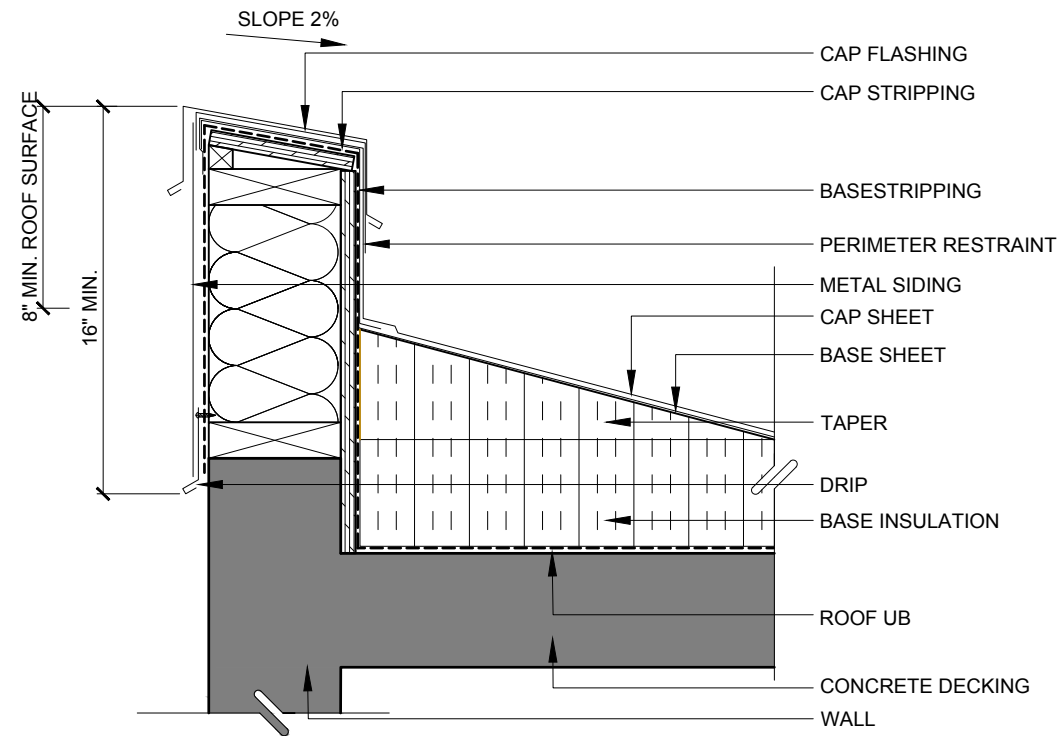


1 Flashing Detail

A1.5 Scale: 1 1/2" = 1'-0"

2 Flashing Detail

A1.5 Scale: 1 1/2" = 1'-0"



NOTES:

1. ROOF MEMBRANE, ASSOCIATED FLASHINGS AND METAL JOINERY NOT SHOWN FOR CLARITY

3 Flashing Detail

A1.5 Scale: 1 1/2" = 1'-0"

Partial Roof Replacement

Project Address 752 McGee Street
Winnipeg, Manitoba
BID # 168-2022

Client JDB Building Envelope
Specialists
Winnipeg, Manitoba
www.buildingenvelope.biz
204.371.0996

Drawing

DETAILS