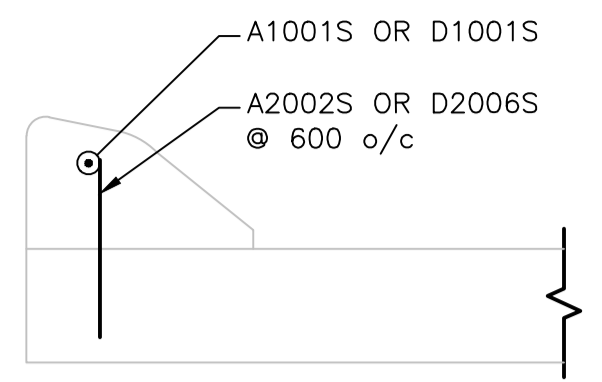
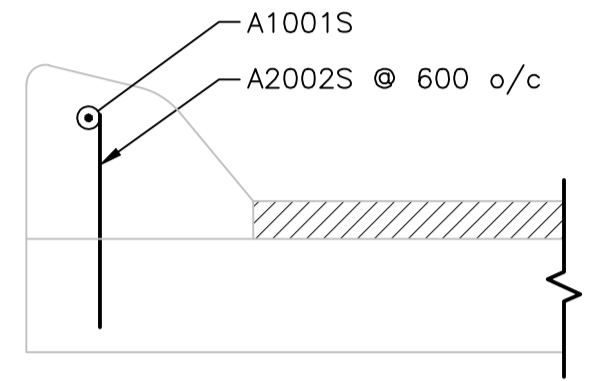


BRIDGE DECK REINFORCING PLAN
1:50

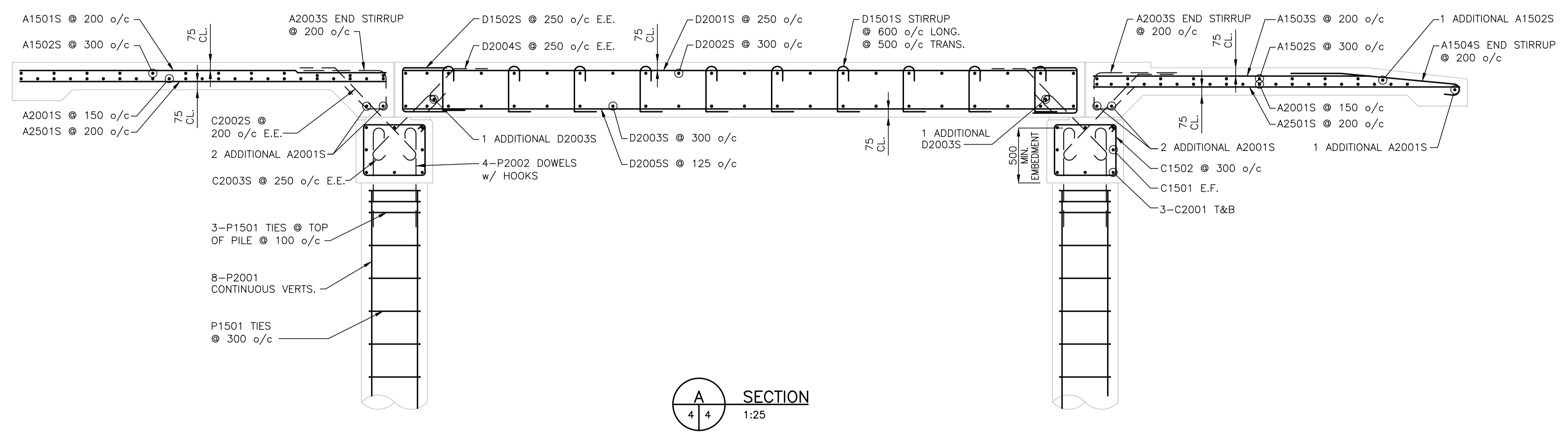
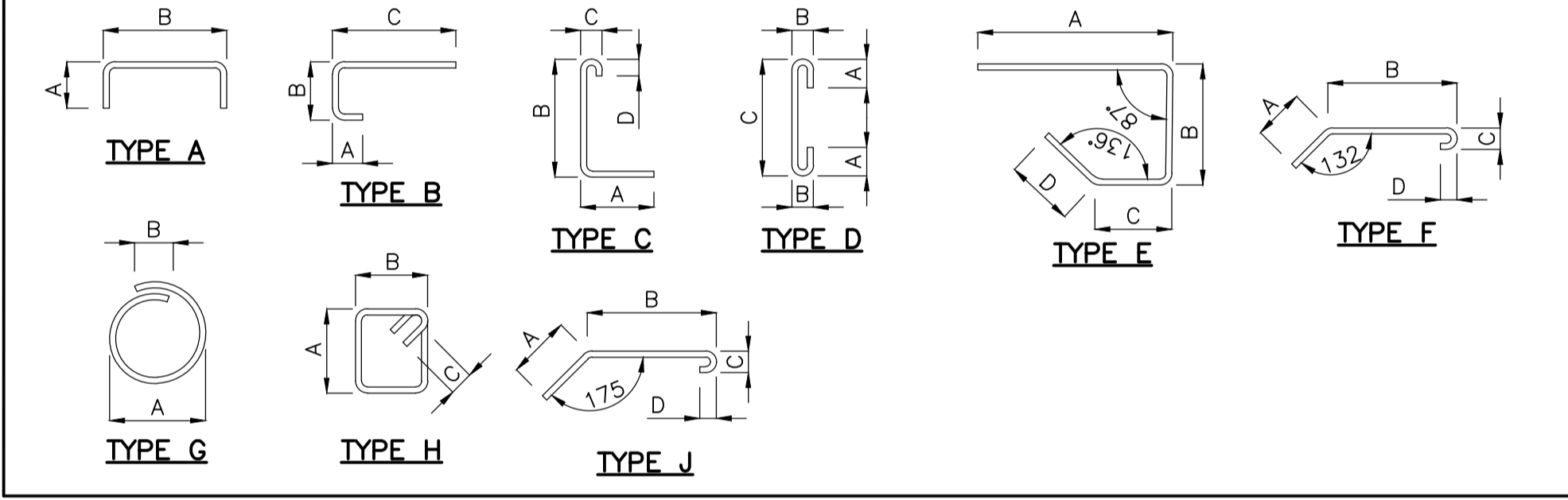


B SECTION
1:10



C SECTION
1:10

STRAIGHT BARS				BENT BARS								
MARK	QTY.	LENGTH (mm)	MASS (kg)	MARK	TYPE	QTY.	A	B	C	D	LENGTH (mm)	MASS (kg)
A1001S	4	3335	10.5	A1504S	J	53	450	900	100	75	1525	126.9
A1501S	53	3340	277.9	A2003S	E	106	500	300	150	350	1300	324.5
A1502S	22	10460	361.3	C1502	H	76	460	560	65		2170	258.9
A1503S	53	2530	210.5									
A2001S	48	10460	1182.4	C2002S	F	106	300	1060	100	75	1535	383.2
A2002S	28	250	16.5	C2003S	D	86	75	100	800		1150	232.9
A2501S	106	3340	1389.6	D1501S	C	220	200	345	90	60	695	240.1
C1501	4	11150	70.0	D1502S	A	86	400	350			1150	155.3
C2001	12	11150	315.1	D2004S	F	86	300	330	100	75	805	163.0
D1001S	2	6150	9.7	P1501	G	574	450	300			1720	1550.0
D2001S	43	6150	622.8	P2002	B	56	75	150	1200		1425	187.9
D2002S	22	10460	541.9									
D2003S	24	10460	591.2									
D2005S	85	6150	1231.1									
D2006S	22	250	13.0									
P2001	112	11200	2954.1									
											TOTAL MASS OF STAINLESS STEEL IN DECK (kg)	7851.4
											TOTAL MASS OF STAINLESS STEEL IN PILE CAPS (kg)	232.9
											TOTAL MASS OF BLACK STEEL IN PILE CAPS (kg)	644.0
											TOTAL MASS OF BLACK STEEL IN PILES (kg)	4692.0
											TOTAL MASS OF REINFORCING (kg) =	13420.3



A SECTION
1:25

- NOTES:**
- S - SUFFIX IN MARK NUMBER DENOTES STAINLESS STEEL REINFORCING.
 - P - PREFIX IN MARK NUMBER DENOTES PILE REINFORCING.
 - C - PREFIX IN MARK NUMBER DENOTES PILE CAP REINFORCING.
 - STAINLESS STEEL REINFORCING REQUIRED FOR THE CURB BARRIER, DECK SLAB, APPROACH SLABS AND DOWELS CONNECTED TO THE SLABS.

LOCATION APPROVED UNDERGROUND STRUCTURES

SUPV. U/G STRUCTURES COMMITTEE	DATE

NOTE:
LOCATION OF UNDERGROUND STRUCTURES AS SHOWN ARE BASED ON THE BEST INFORMATION AVAILABLE BUT NO GUARANTEE IS GIVEN THAT ALL EXISTING UTILITIES ARE SHOWN OR THAT THE GIVEN LOCATIONS ARE EXACT. CONFIRMATION OF EXISTENCE AND EXACT LOCATION OF ALL SERVICES MUST BE OBTAINED FROM THE INDIVIDUAL UTILITIES BEFORE PROCEEDING WITH CONSTRUCTION.

B.M. ELEV.	DATE	BY

NO.	REVISIONS	DATE	BY
1	RE-ISSUED FOR TENDER	22.05.17	J.M.B.
0	ISSUED FOR TENDER	20.07.23	J.M.B.

Stantec
500 - 311 Portage Avenue, Winnipeg MB Canada
www.stantec.com

DESIGNED BY	E.R.T.	CHECKED BY	S.Y.
DRAWN BY	J.M.B.	APPROVED BY	E.R.T.

HOR. SCALE: AS NOTED
VERTICAL: _____

RELEASED FOR CONSTRUCTION: _____
DATE: _____

ENGINEER'S SEAL

CONSULTANT DRAWING NO.
S-103

THE CITY OF WINNIPEG
PUBLIC WORKS DEPARTMENT
ENGINEERING DIVISION

ST. BONIFACE INDUSTRIAL PARK - PHASE 2
RAY MARIUS ROAD AQUEDUCT BRIDGE
REINFORCING DETAILS

SHEET 4 OF 5
CAD FILE DRAWING NUMBER
09351s-103-918.dwg
CITY DRAWING NUMBER
B-254-20-04

ENGINEERS GEOSCIENTISTS MANITOBA
Certificate of Authorization
Stantec Consulting Ltd.
No. 1301

METRIC
WHOLE NUMBERS INDICATE MILLIMETRES
DECIMALIZED NUMBERS INDICATE METRES