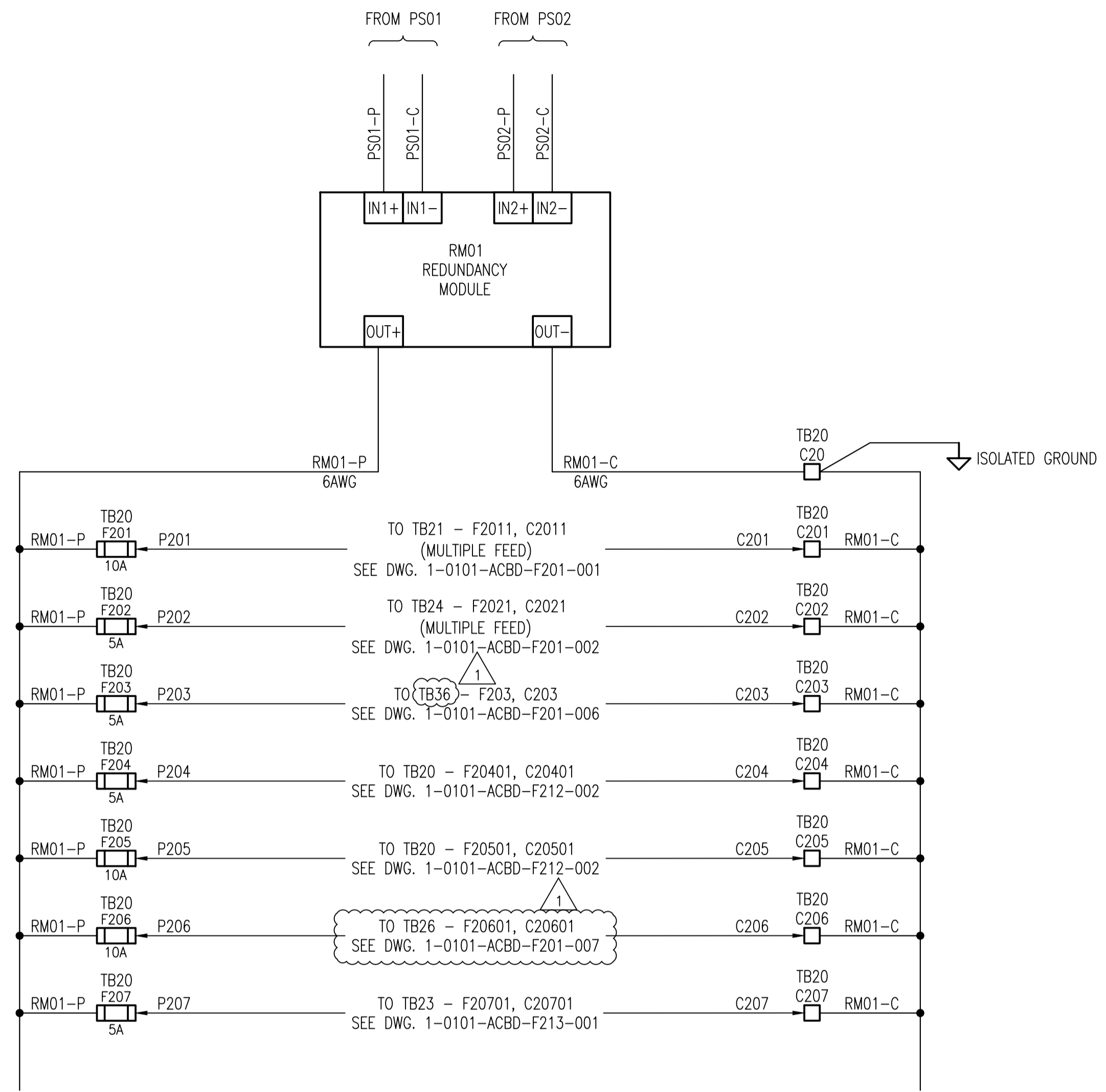
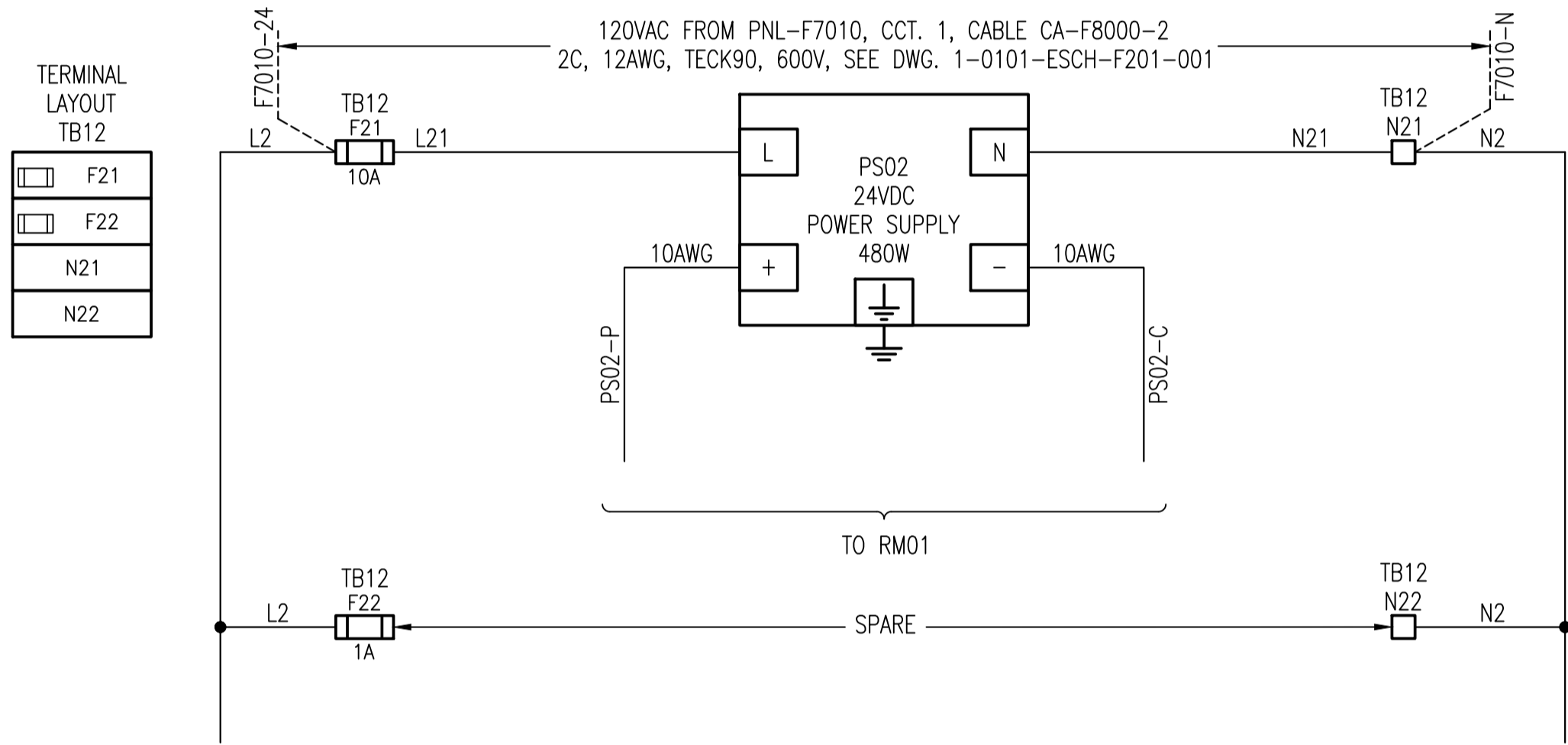
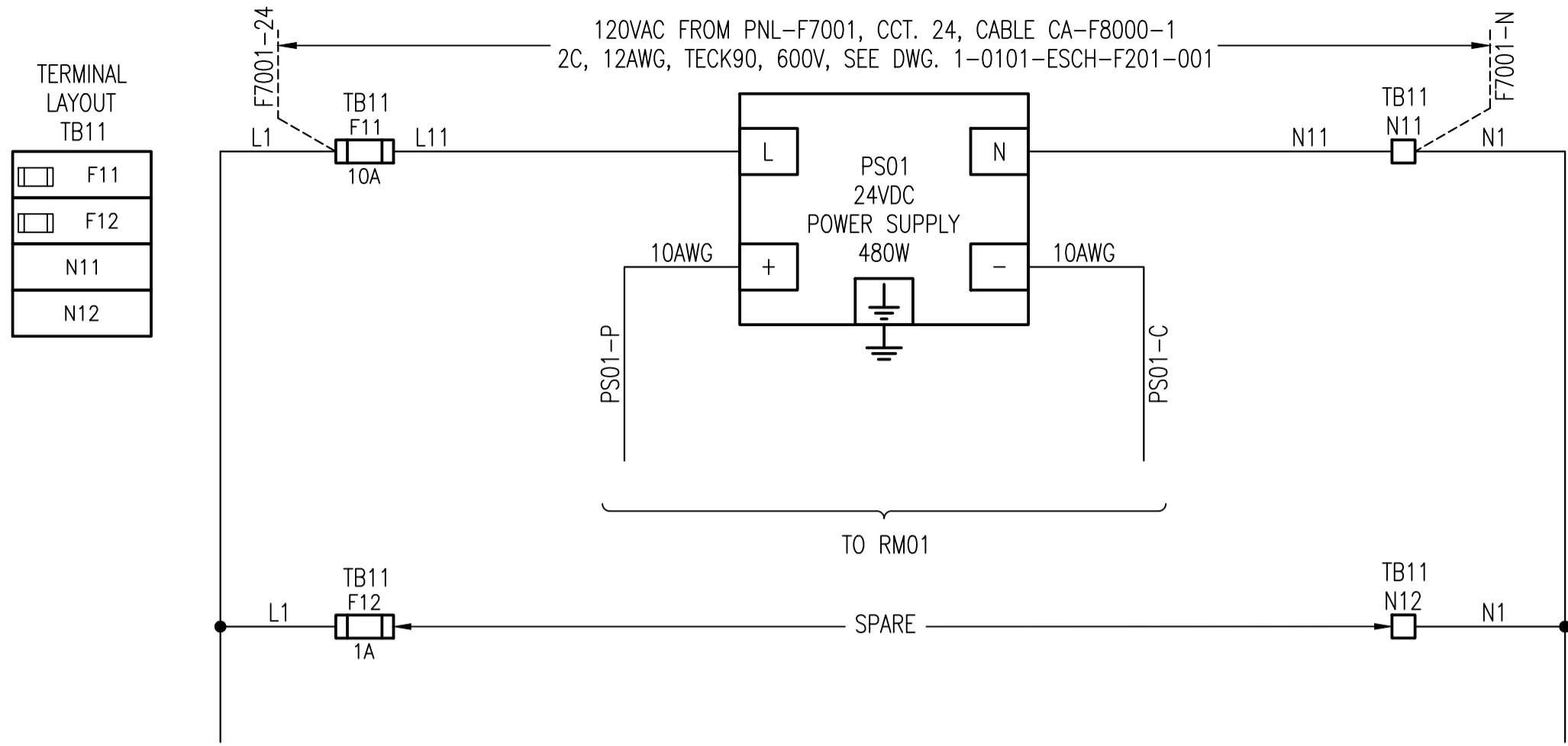


GENERAL NOTES:



FUSE SCHEDULE			
TB	IDENTIFIER	SIZE	RATING
TB11	F11	6.3X32mm	10A TD
	F12	6.3X32mm	1A FA
TB12 (UPS)	F21	6.3X32mm	10A TD
	F22	6.3X32mm	1A FA
TB20	F201	6.3X32mm	10A TD
	F202	6.3X32mm	5A TD
	F203	6.3X32mm	10A TD
	F204	6.3X32mm	5A TD
	F205	6.3X32mm	10A TD
	F206	6.3X32mm	10A TD
	F207	6.3X32mm	5A TD

NOTES  
 FA = FAST ACTING  
 TD = TIME DELAY

TERMINAL LAYOUT TB20

F201
F202
F203
F204
F205
F206
F207
C20
C201
C202
C203
C204
C205
C206
C207

RM01 POWER CONSUMPTION SCHEDULE AT 24VDC		
LOAD	CURRENT (mA)	NOTES
CP-F8000	?	2
FIT-F87021	380	1
FIT-F87031	380	1
FIT-F207703	380	1
FIT-F207713	380	1
TOTAL	?	

NOTES  
 1. BASED ON DATA SHEET.  
 2. DUAL FEED, LOADS INCLUDED.

10	-	-
9	-	-
8	-	-
7	-	-
6	-	-
5	-	-
4	-	-
3	-	-
2	-	-
1	-	-
NO.	DRAWING NUMBER	REFERENCE DRAWING TITLE
REFERENCE DRAWINGS		



B.M. ELEV.			
CONSTRUCTION COMPLETION DATE: YYYY MM DD			
NO.	REVISIONS	DATE	BY
1	RE-ISSUED FOR CONSTRUCTION	2022 07 05	JRS
0	ISSUED FOR CONSTRUCTION	2022 05 18	JAB

		DESIGNED BY	DG	CHECKED BY	
		DRAWN BY	RG	APPROVED BY	
SCALE:		NTS		RELEASED FOR CONSTRUCTION	
DATE	2022 04 12	DATE			

ENGINEER'S SEAL
CONSULTANT DRAWING NUMBER
21-0107-015_A5.105

**THE CITY OF WINNIPEG**  
 WATER AND WASTE DEPARTMENT  
 ENGINEERING DIVISION  
 NORTH END SEWAGE TREATMENT PLANT (NEWPCC)  
 INTERIM PHOSPHOROUS REMOVAL  
 AUTOMATION - POWER DISTRIBUTION SCHEMATIC  
 BUILDING 101  
 CP-F8000 POWER DISTRIBUTION SCHEMATIC  
 CITY DRAWING NUMBER **1-0101-ACBD-F201-004** SHEET **5** OF **8**