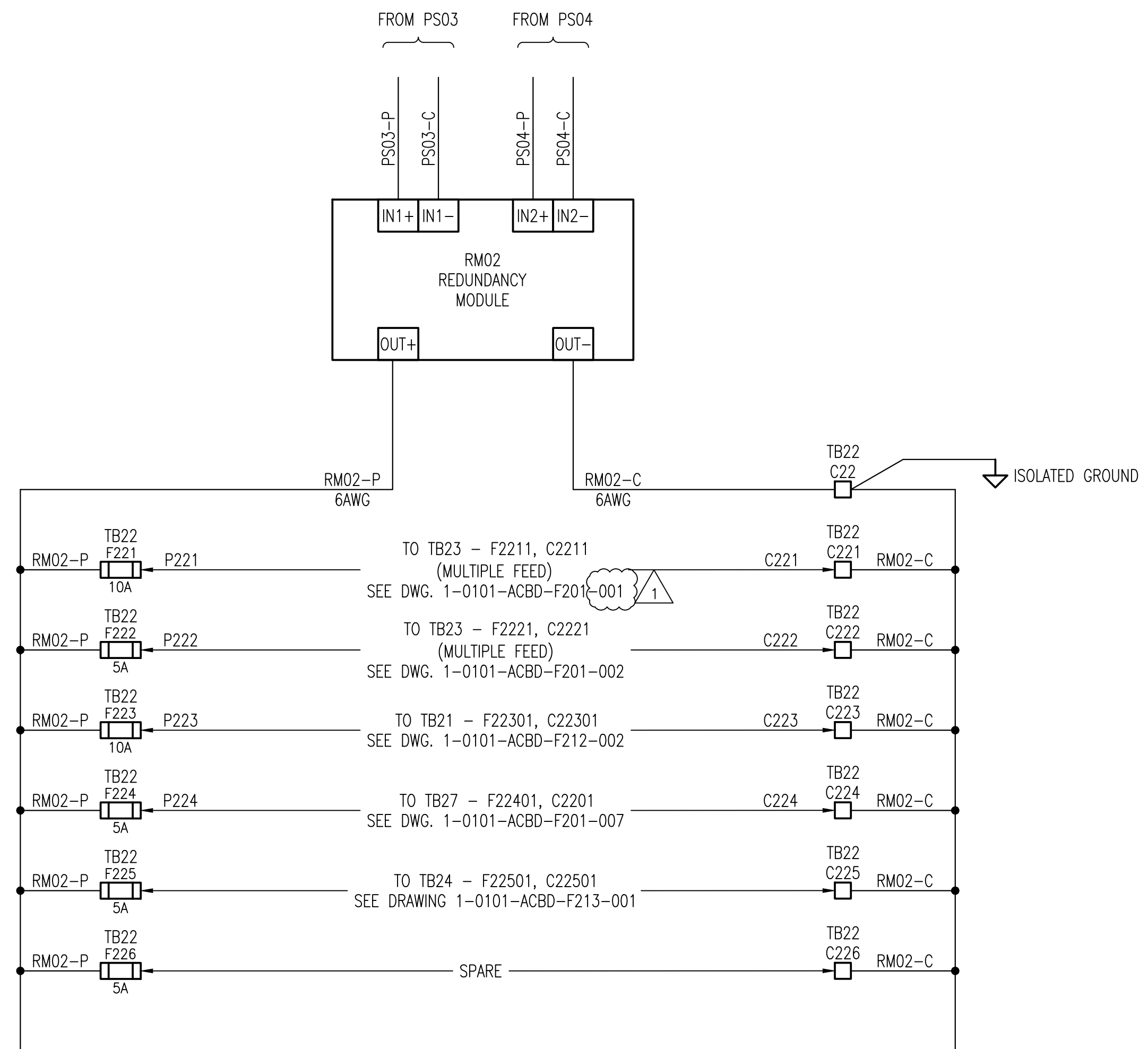
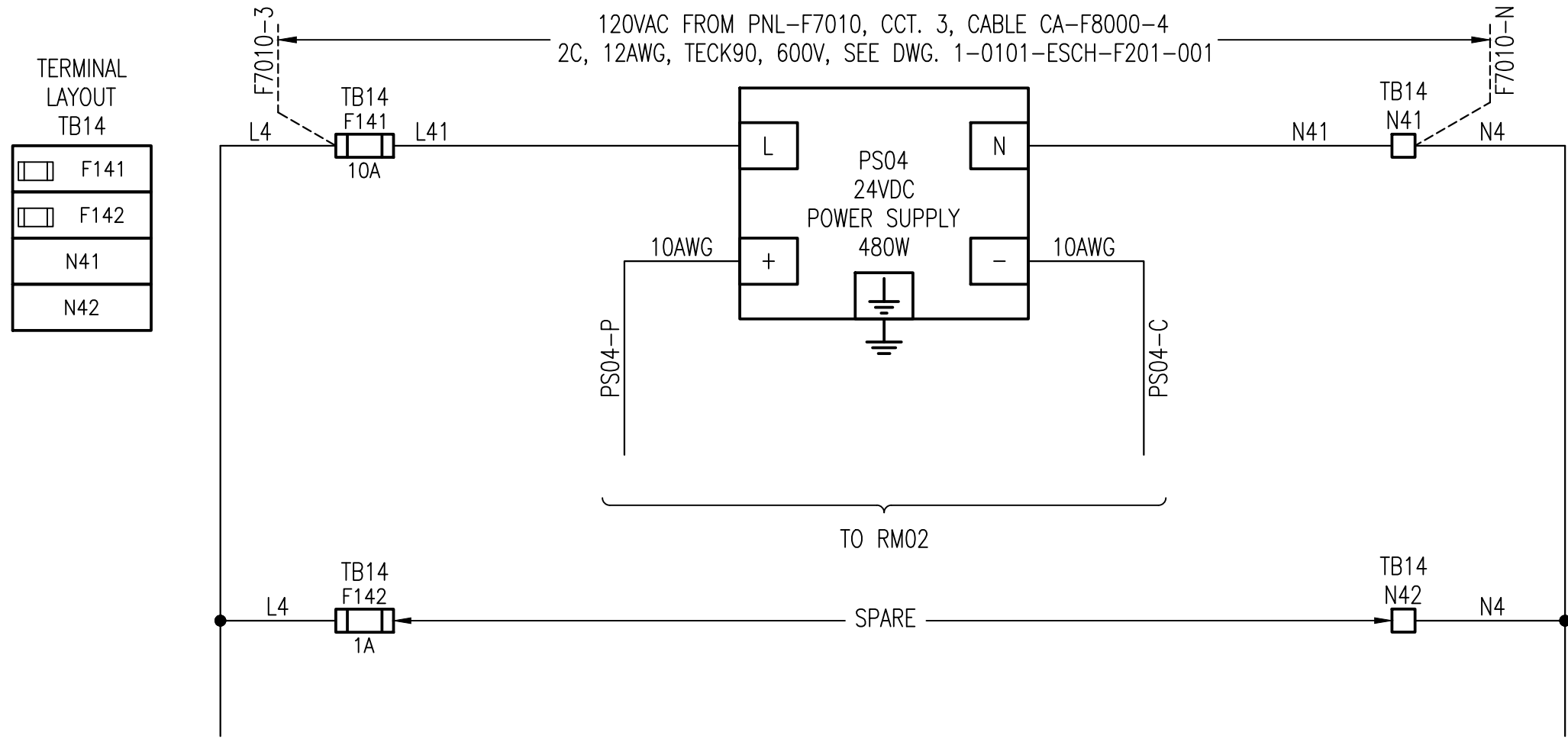
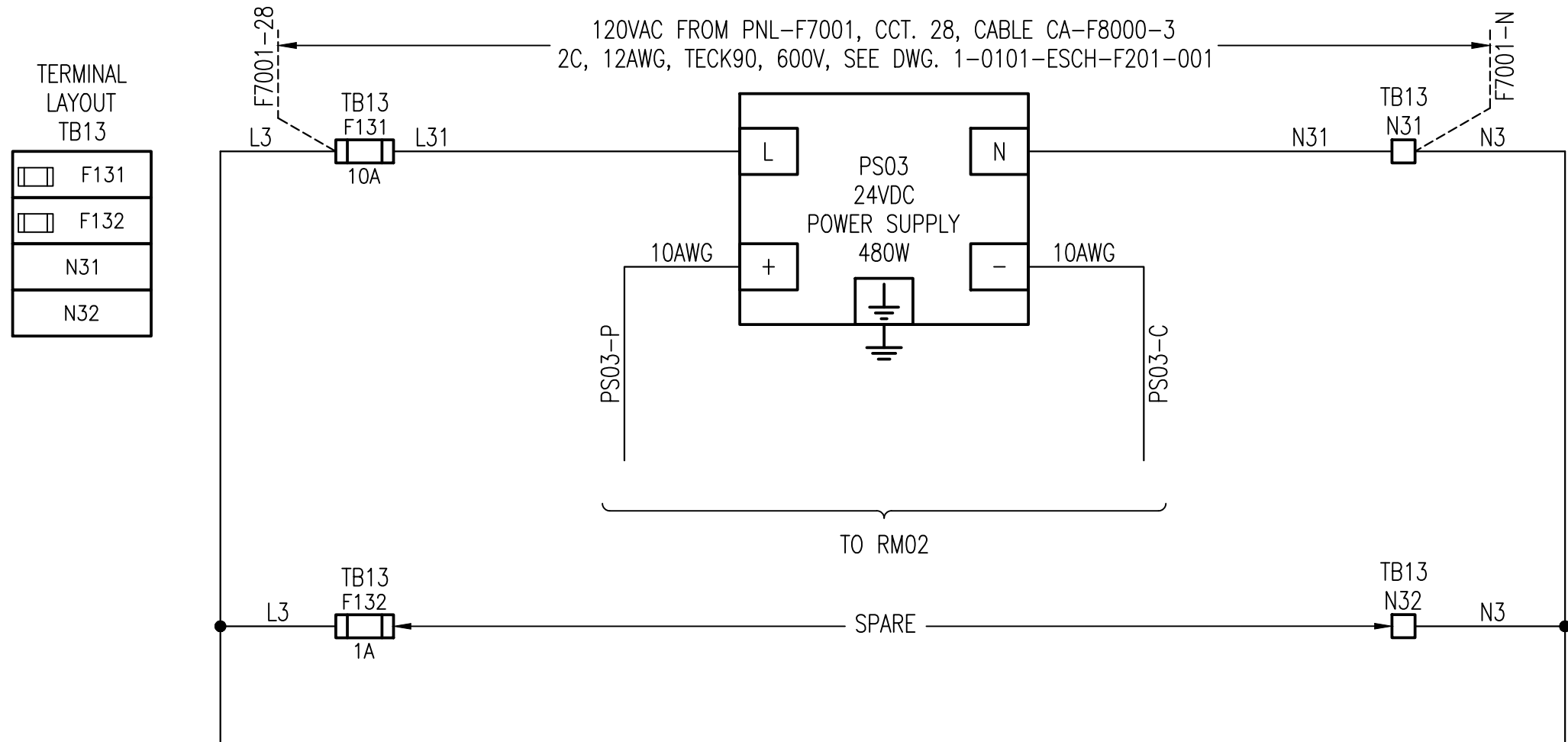


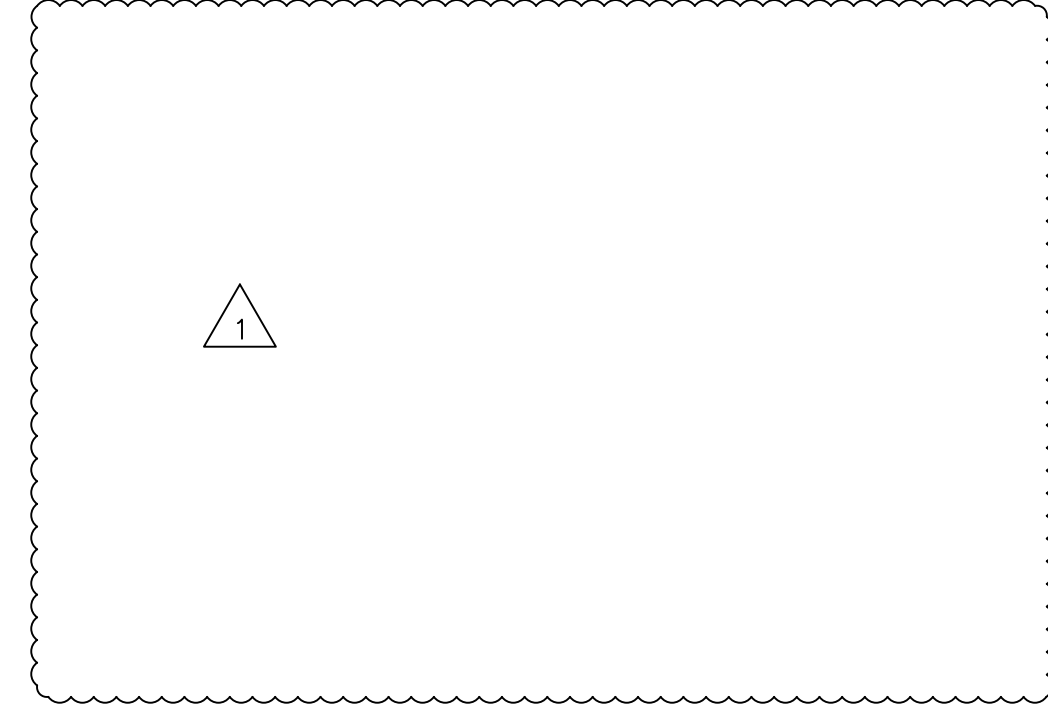
GENERAL NOTES:



FUSE SCHEDULE			
TB	IDENTIFIER	SIZE	RATING
TB13	F131	6.3X32mm	10A TD
	F132	6.3X32mm	1A FA
TB14 (UPS)	F141	6.3X32mm	10A TD
	F142	6.3X32mm	1A FA
TB22	F221	6.3X32mm	10A TD
	F222	6.3X32mm	5A TD
	F223	6.3X32mm	10A TD
	F224	6.3X32mm	5A TD
	F225	6.3X32mm	5A TD
	F226	6.3X32mm	5A TD

NOTES
 FA = FAST ACTING
 TD = TIME DELAY

TERMINAL LAYOUT TB22	
F221	
F222	
F223	
F224	
F225	
F226	
C22	
C221	
C222	
C223	
C224	
C225	
C226	



10	-	-
9	-	-
8	-	-
7	-	-
6	-	-
5	-	-
4	-	-
3	-	-
2	-	-
1	-	-
NO.	DRAWING NUMBER	REFERENCE DRAWING TITLE
REFERENCE DRAWINGS		



B.M. ELEV.	
CONSTRUCTION COMPLETION DATE: YYYY MM DD	
DESIGNED BY	DG
CHECKED BY	JAB
DRAWN BY	RG
APPROVED BY	JAB
SCALE:	NTS
RELEASED FOR CONSTRUCTION	
DATE	2022 04 12
DATE	2022 07 12
NO.	REVISIONS
1	RE-ISSUED FOR CONSTRUCTION 2022 07 05 JAB
0	ISSUED FOR CONSTRUCTION 2022 05 18 JAB

KGS GROUP

DESIGNED BY: DG
 CHECKED BY: JAB
 DRAWN BY: RG
 APPROVED BY: JAB
 SCALE: NTS
 DATE: 2022 04 12

ENGINEER'S SEAL

CONSULTANT DRAWING NUMBER: 21-0107-015_A5.106

THE CITY OF WINNIPEG
 WATER AND WASTE DEPARTMENT
 ENGINEERING DIVISION

NORTH END SEWAGE TREATMENT PLANT (NEWPCC)
 INTERIM PHOSPHOROUS REMOVAL
 AUTOMATION - POWER DISTRIBUTION SCHEMATIC

BUILDING 101
 CP-F8000 POWER DISTRIBUTION SCHEMATIC

CITY DRAWING NUMBER: 1-0101-ACBD-F201-005 SHEET 6 OF 8