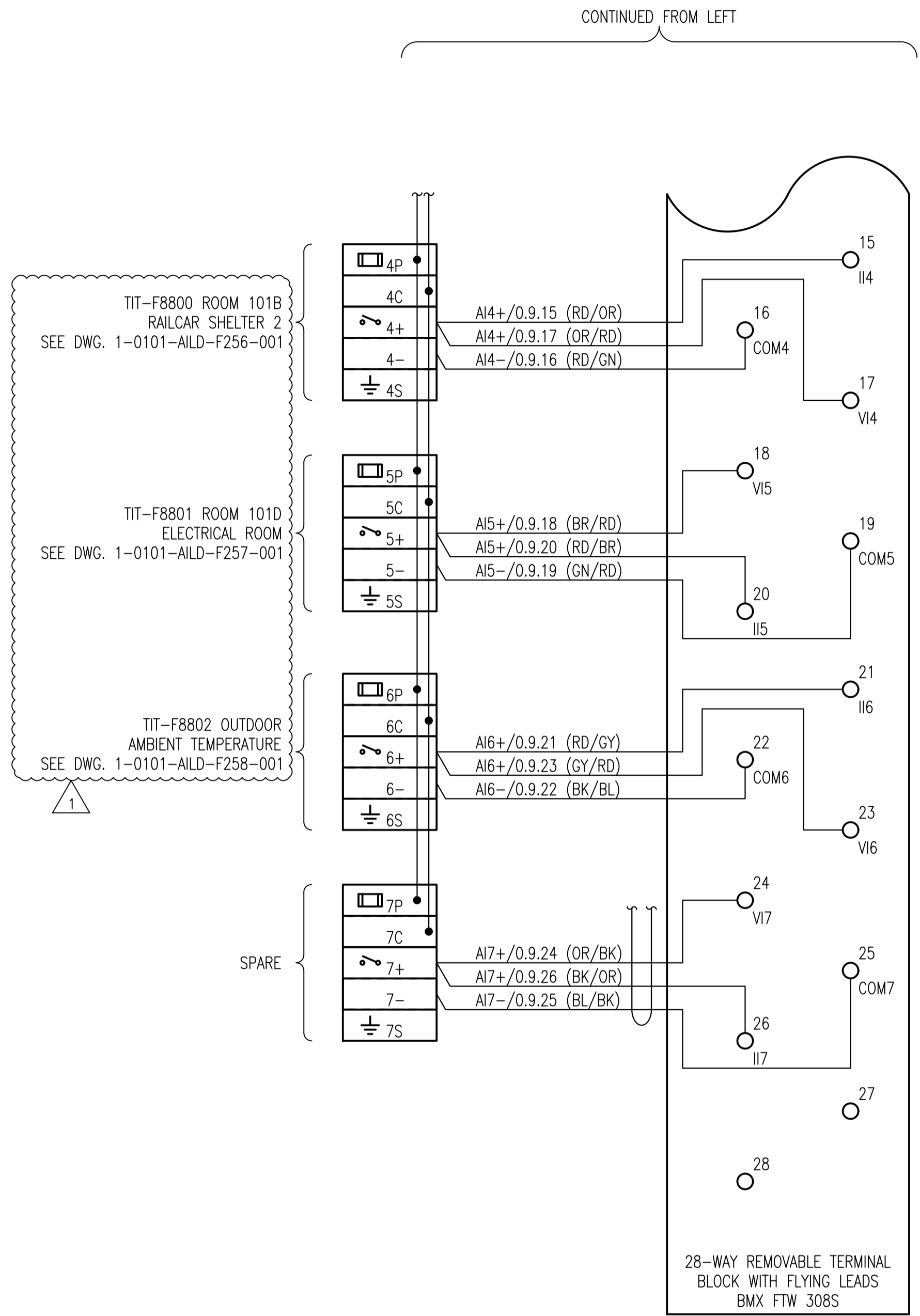
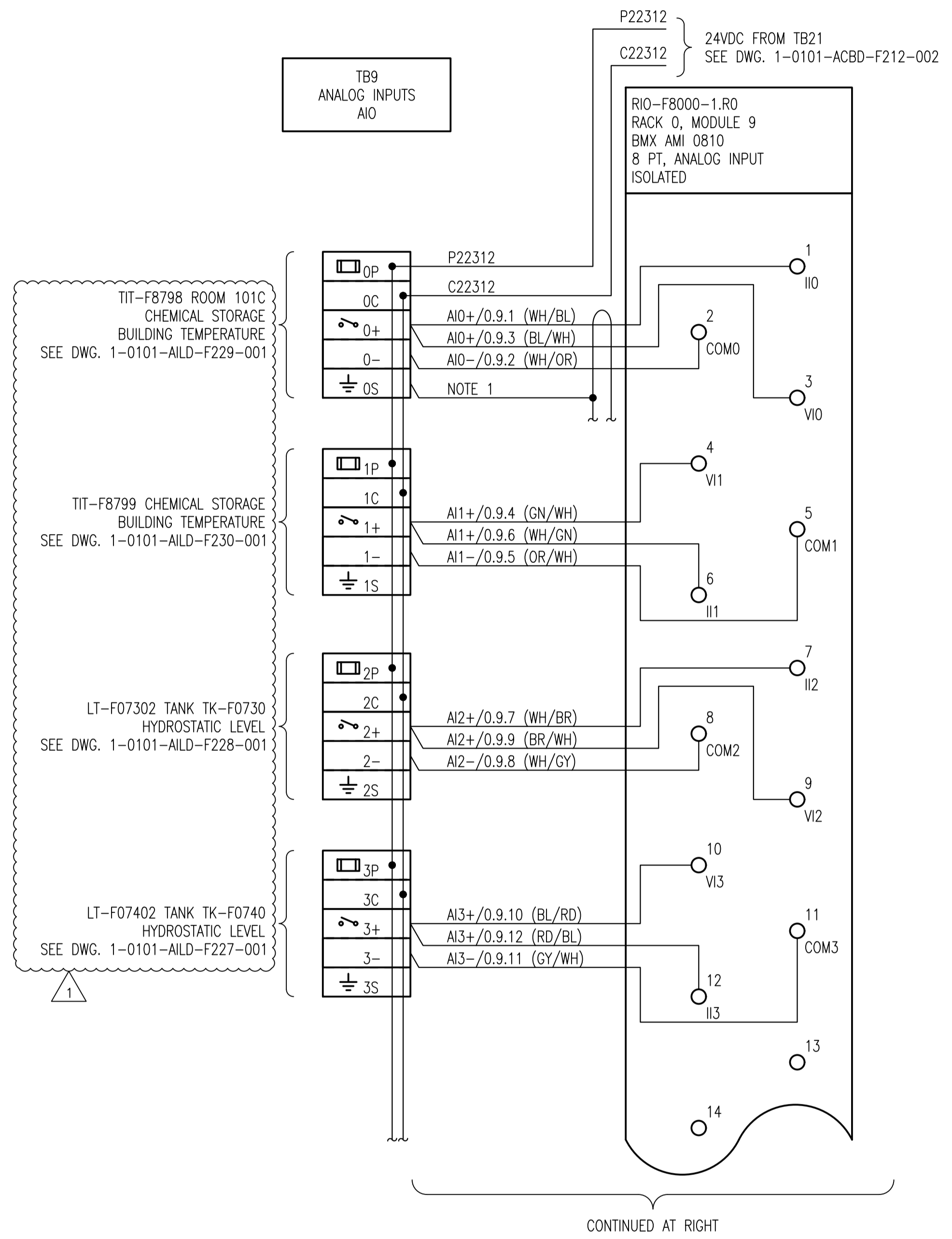


GENERAL NOTES:



| FUSE SCHEDULE | | | |
|---------------|------------|--------|----------------------|
| TB | IDENTIFIER | SIZE | RATED CURRENT (A) FA |
| TB9 | 0P | 5x20mm | 1.00 |
| | 1P | 5x20mm | 1.00 |
| | 2P | 5x20mm | 1.00 |
| | 3P | 5x20mm | 1.00 |
| | 4P | 5x20mm | 1.00 |
| | 5P | 5x20mm | 1.00 |
| | 6P | 5x20mm | 1.00 |
| | 7P | 5x20mm | 1.00 |

| 10 | - | - |
|--------------------|----------------|-------------------------|
| 9 | - | - |
| 8 | - | - |
| 7 | - | - |
| 6 | - | - |
| 5 | - | - |
| 4 | - | - |
| 3 | - | - |
| 2 | - | - |
| 1 | - | - |
| NO. | DRAWING NUMBER | REFERENCE DRAWING TITLE |
| REFERENCE DRAWINGS | | |



| | |
|--|------------|
| B.M. ELEV. | |
| CONSTRUCTION COMPLETION DATE: YYYY MM DD | |
| DESIGNED BY | DG |
| CHECKED BY | JAB |
| DRAWN BY | RG |
| APPROVED BY | JAB |
| SCALE: | NTS |
| RELEASED FOR CONSTRUCTION | |
| DATE | 2022 04 11 |
| DATE | 2022 07 12 |

| | |
|---------------------------|------------|
| KGS GROUP | |
| DESIGNED BY | DG |
| CHECKED BY | JAB |
| DRAWN BY | RG |
| APPROVED BY | JAB |
| SCALE: | NTS |
| RELEASED FOR CONSTRUCTION | |
| DATE | 2022 04 11 |
| DATE | 2022 07 12 |

| | |
|---------------------------|--------------------|
| ENGINEER'S SEAL | |
| CONSULTANT DRAWING NUMBER | 21-0107-015_A5.138 |

THE CITY OF WINNIPEG
 WATER AND WASTE DEPARTMENT
 ENGINEERING DIVISION
 NORTH END SEWAGE TREATMENT PLANT (NEWPC) INTERIM PHOSPHOROUS REMOVAL AUTOMATION
 BUILDING 101
RIO-F8000-1.R0 WIRING DIAGRAM - ANALOG INPUT

CITY DRAWING NUMBER **1-0101-ACBD-F215-001** SHEET **9** OF **14**