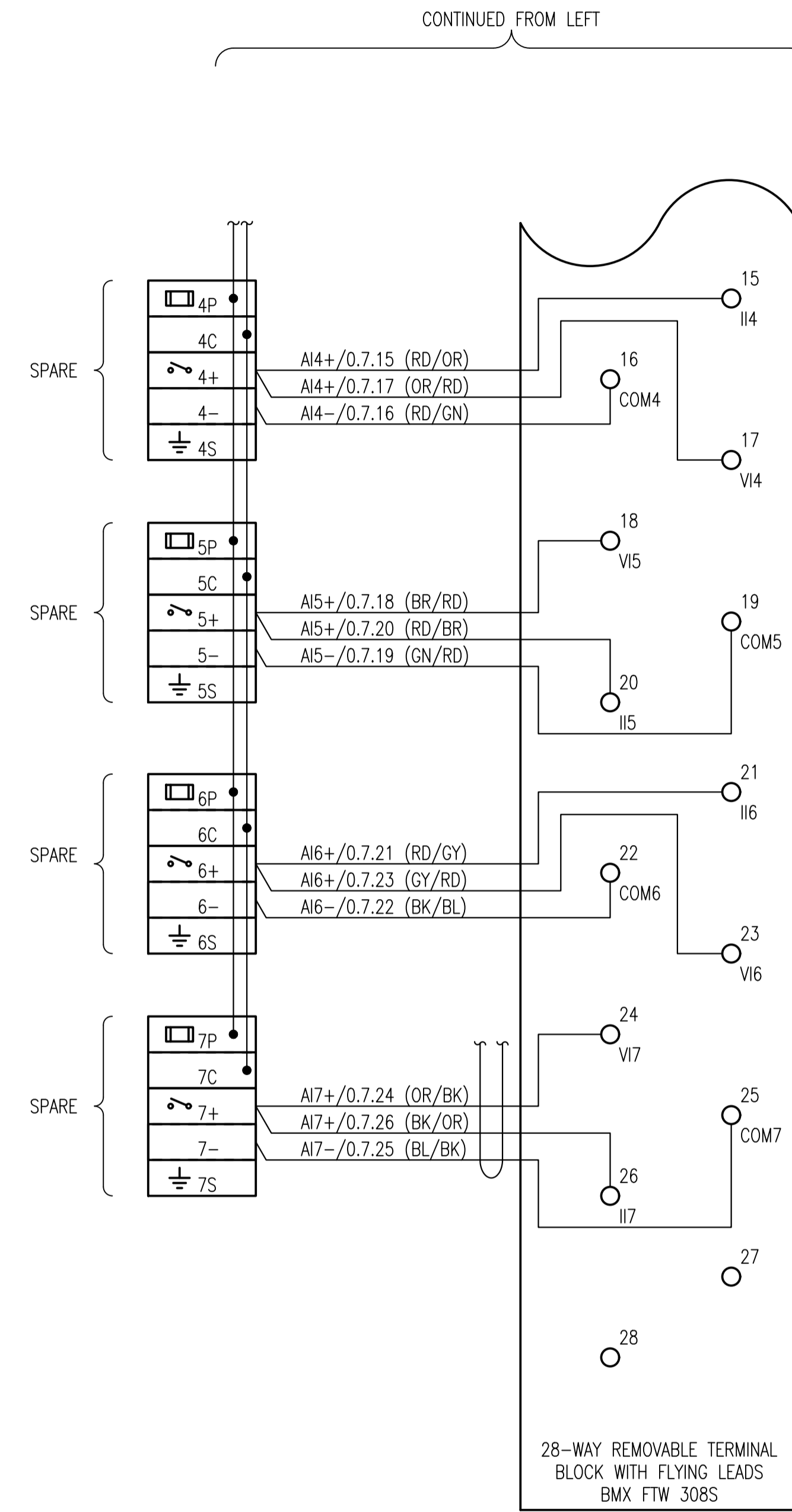
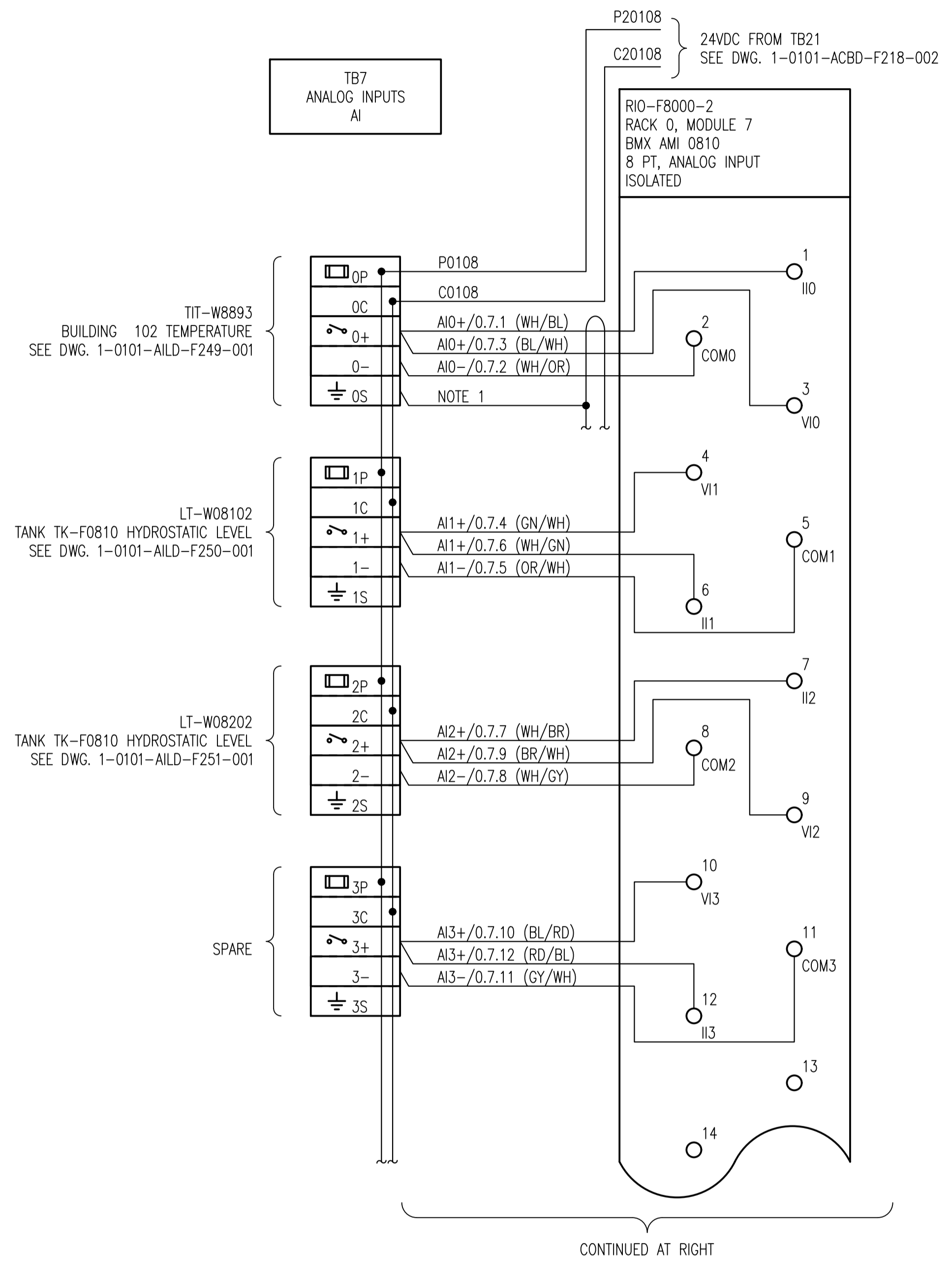


GENERAL NOTES:



FUSE SCHEDULE			
TB	IDENTIFIER	SIZE	RATED CURRENT (A) FA
TB7	0P	5x20mm	1.00
	1P	5x20mm	1.00
	2P	5x20mm	1.00
	3P	5x20mm	1.00
	4P	5x20mm	1.00
	5P	5x20mm	1.00
	6P	5x20mm	1.00
	7P	5x20mm	1.00

10	-	-
9	-	-
8	-	-
7	-	-
6	-	-
5	-	-
4	-	-
3	-	-
2	-	-
1	-	-
NO.	DRAWING NUMBER	REFERENCE DRAWING TITLE
REFERENCE DRAWINGS		



B.M. ELEV.			
CONSTRUCTION COMPLETION DATE: YYYY MM DD			
NO.	REVISIONS	DATE	BY
1	RE-ISSUED FOR CONSTRUCTION	2022 07 05	JAB
0	ISSUED FOR CONSTRUCTION	2022 05 18	JAB

**KGS GROUP**

DESIGNED BY	DG	CHECKED BY	JAB
DRAWN BY	RG	APPROVED BY	JAB
SCALE:	NTS	RELEASED FOR CONSTRUCTION	
DATE	2022 04 04	DATE	

ENGINEER'S SEAL
CONSULTANT DRAWING NUMBER
21-0107-015_A5.206

**THE CITY OF WINNIPEG**  
 WATER AND WASTE DEPARTMENT  
 ENGINEERING DIVISION

NORTH END SEWAGE TREATMENT PLANT (NEWPC)  
 INTERIM PHOSPHOROUS REMOVAL  
 AUTOMATION

BUILDING 102  
 RIO-F8000-2 WIRING DIAGRAM - ANALOG INPUT

CITY DRAWING NUMBER: 1-0101-ACBD-F221-001

SHEET 7 OF 9