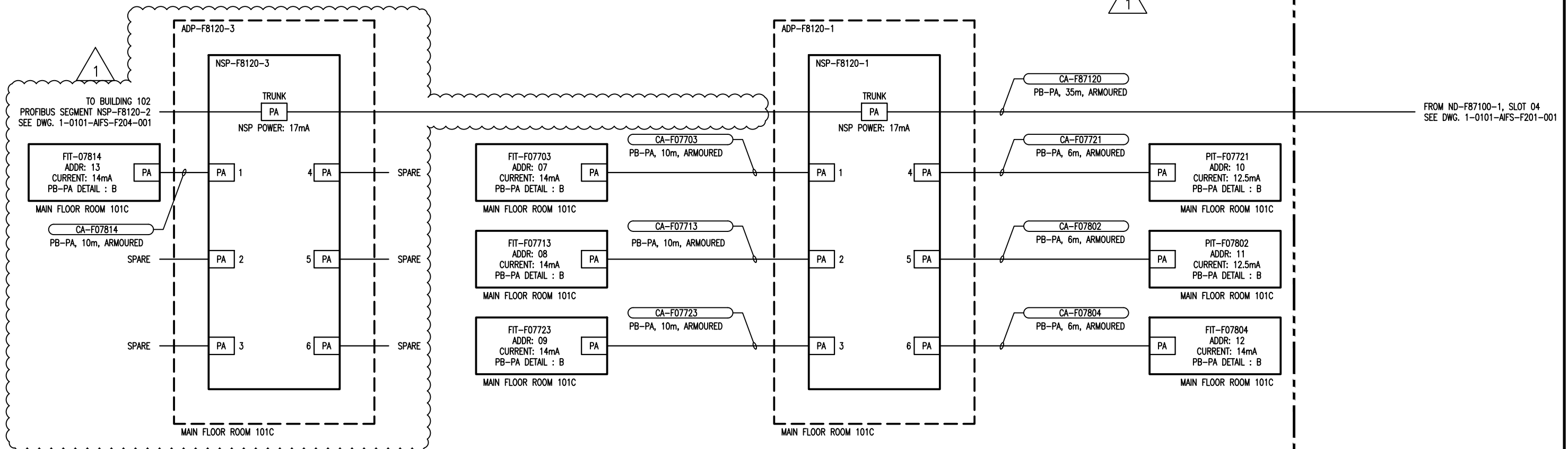
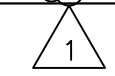


FIELD

CP-F8000
LOCATED IN ELECTRICAL ROOM
(BUILDING 101)

SEGMENT F8120 - DESIGN INFORMATION

MAX. NO. OF SPUR LINES	NO. OF SPUR LINES	BAUD RATE	MAX. LENGTH (m)	TOTAL LENGTH (m)	MAX. SPUR LENGTH (m)	LONGEST SPUR (m)	TOTAL CURRENT MAX. (mA)	TOTAL CURRENT USED (mA)
12	12	31.25Kbps	1900.0	197	90	70	500	177



FROM ND-F87100-1, SLOT 04
SEE DWG. 1-0101-AIFS-F201-001



Certificate of Authorization
KGS Group
No. 245

NOTES
1. REFER TO DWG. 1-0101-ADTL-F201-001 FOR PROFIBUS PA WIRING DETAILS.

LEGEND:
PA T PROFIBUS PA TERMINAL CONNECTION WITH TERMINATION RESISTOR

NO.	REVISIONS	DATE	DESIGN	CHECK
1	RE-ISSUED FOR CONSTRUCTION	2022 07 05	DRS	JAB
0	ISSUED FOR CONSTRUCTION	2022 05 18	DG	JAB

KGS GROUP	
DESIGNED BY: DG	CHECKED BY: JAB
DRAWN BY: RG	APPROVED BY: JAB
SCALE: NTS	DATE:
ISSUED FOR CONSTRUCTION DATE:	
BY:	
CONSULTANT NO.: 21-0107-015_A7.103	

ENGINEER'S SEAL

THE CITY OF WINNIPEG
WATER AND WASTE DEPARTMENT
ENGINEERING DIVISION

NORTH END SEWAGE TREATMENT PLANT (NEWPCC)
INTERIM PHOSPHOROUS REMOVAL
AUTOMATION - PROFIBUS SEGMENT DIAGRAM
BUILDING 101
PROFIBUS SEGMENT NSP-F8120-1

CITY DRAWING NUMBER	SHEET	REV.	SIZE
1-0101-AIFS-F203-001	001	0	B

LAST SAVE: 2022/07/12 - 5:58pm
PATH: \\192.168.0.226\Projects\2021\21-0107-015\Dwg\Elec\ADDENDUM\1-0101-AIFS-F203-001.DWG