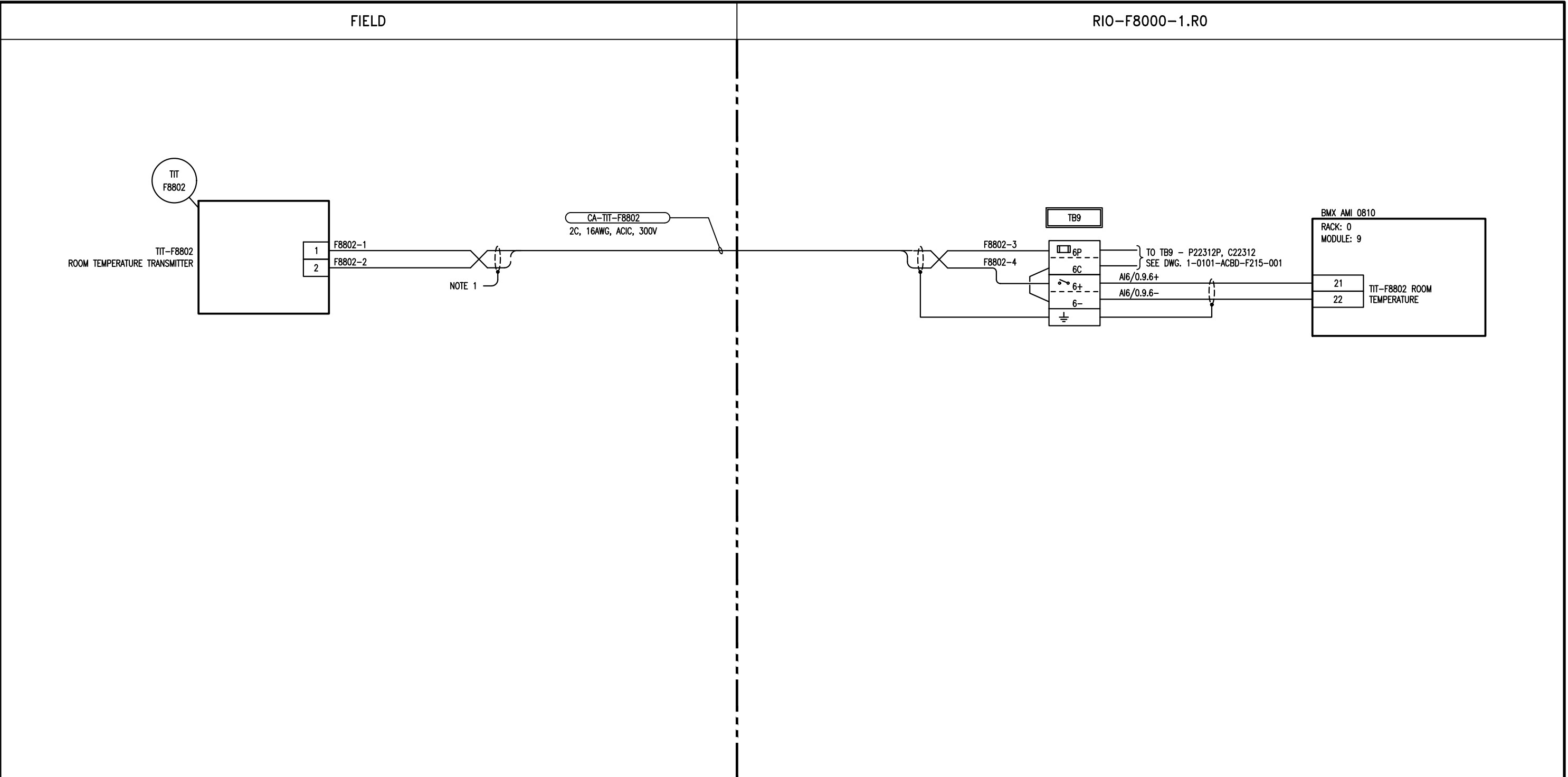


LAST SAVE: 2022/07/13 - 12:22pm
 PATH: \\192.168.0.226\1-0107-015\Projects\2021\21-0107-015\Dwg\Elec\ADDENDUM\1-0101-AILD-F261-001.DWG
 B SIZE - 279mm x 432mm



NOTES
 1. ISOLATE AND TAPE BACK SHIELD AT THIS END ONLY.

**ENGINEERS
 GEOSCIENTISTS
 MANITOBA**

Certificate of Authorization

KGS Group

No. 245

NO.	REVISIONS	DATE	DESIGN	CHECK
0	ISSUED FOR CONSTRUCTION	2022 07 05	DRS	<i>JMB</i>

DESIGNED BY: DRS
CHECKED BY: *JMB*

DRAWN BY: RG
APPROVED BY: *JMB*

SCALE: NTS
DATE:

ISSUED FOR CONSTRUCTION
BY: _____ **DATE:** _____

CONSULTANT NO.: 21-0107-015_A6.226

ENGINEER'S SEAL

THE CITY OF WINNIPEG
 WATER AND WASTE DEPARTMENT
 ENGINEERING DIVISION

NORTH END SEWAGE TREATMENT PLANT (NEWPCC)
 INTERIM PHOSPHOROUS REMOVAL
 BUILDING 101
 AUTOMATION - LOOP DRAWING
 TIT-F8802 OUTDOOR AMBIENT TEMPERATURE

CITY DRAWING NUMBER	SHEET	REV.	SIZE
1-0101-AILD-F261-001	001	0	B