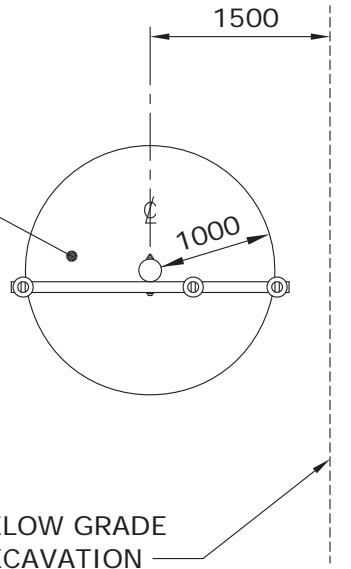


APPENDIX 'B'

ALLOWABLE EXCAVATIONS AROUND MANITOBA HYDRO POLES

FOR CHANGES IN GRADE,
THE MINIMUM AMOUNT OF
UNDISTURBED EARTH TO BE
LEFT ALL AROUND POLES
SHALL BE 1000mm

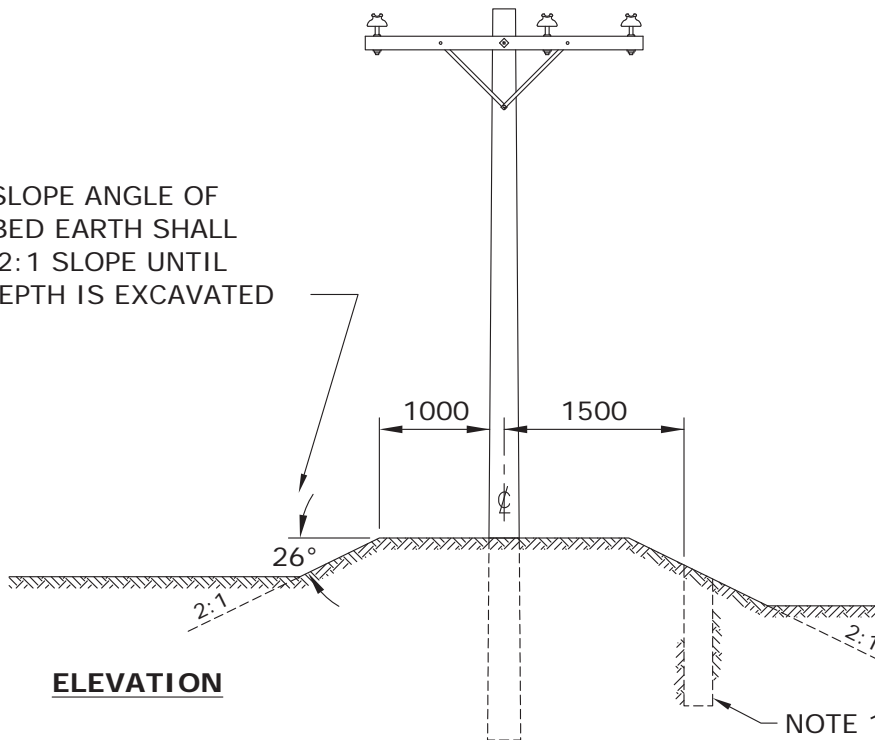


PLAN

BELOW GRADE
EXCAVATION

NOTE:
DIMENSIONS SHOWN
ARE MILLIMETRES.

MAXIMUM SLOPE ANGLE OF
UNDISTURBED EARTH SHALL
BE 26° OR 2:1 SLOPE UNTIL
DESIRED DEPTH IS EXCAVATED



ELEVATION

NOTE 1

NOTE:

1. THE MINIMUM SEPARATION (TO ANY SIDE OF A POLE) FOR EXCAVATIONS DEEPER THAN 500mm WITHOUT REGIONAL ENGINEERING INVOLVEMENT SHALL BE 1500mm, EXCAVATIONS TO BE BACKFILLED & TAMPED TO MAINTAIN SLOPE.

APPROVED		REVISIONS		MANITOBA HYDRO DISTRIBUTION STANDARDS		
ORIGINAL DRAWING SEALED BY E.H. WIEBE 94-07-11				ALLOWABLE EXCAVATIONS AROUND EXISTING POLES		
		06-02	2			REVISED SLOPE & ADDED MORE EXPLANATION TO NOTES
		95-04	1			MINIMUM SEPARATION ADDED
DRAWN W.B./CAD	CHECKED D.F.	DATE 93-03	CD 30-55		SHT 0001 OF 1	
					REV 02	