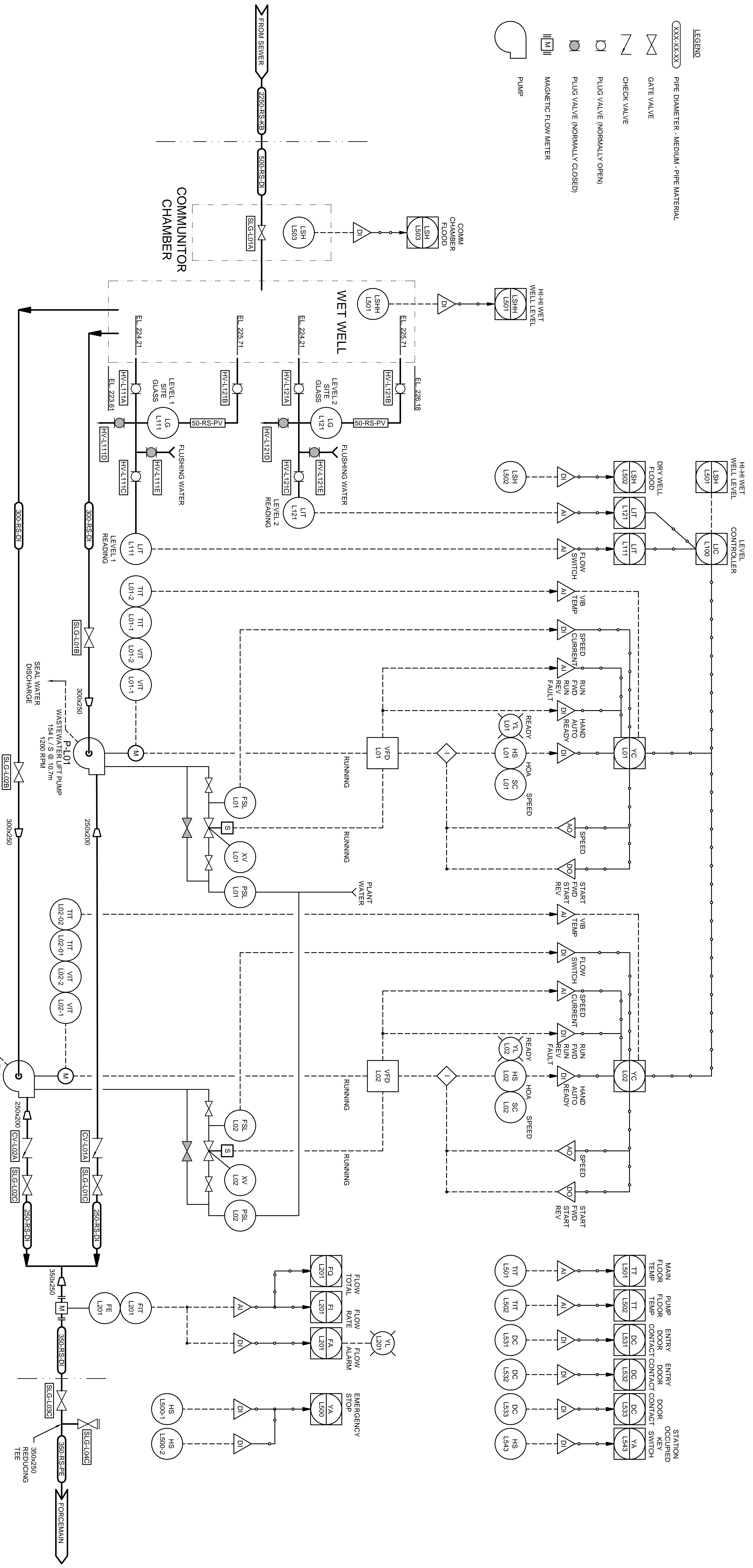


KEY OPERATING ELEVATIONS

	START	STOP
PUMP #1 SETPOINTS	1.379m (225.23m)	0.459m (224.31m)
PUMP #2 SETPOINTS	1.529m (225.39m)	0.919m (224.77m)
WET WELL BOTTOM	0.000m (223.851m)	

RELATIVE SETPOINTS ARE BASED ON CONTROL PANEL LABELS OF EXISTING SYSTEM. CONTRACTOR TO CONFIRM SETPOINTS DURING COMMISSIONING.



NOT FOR CONSTRUCTION

APEN
Certificate of Authorization
Dillon Consulting Limited (MB)
No. 1789 Date: XXXXX

NO.	REVISIONS	DATE	BY	DATE	BY
ISSUED FOR REVIEW		02/17/22	LV		

DILLON CONSULTING

DESIGNED	CP	CHECKED	TC
DRAWN	LV	APPROVED	BLM
HOR. SCALE	NTS	VERTICAL	NTS

ENGINEER'S SEAL

Winnipeg

THE CITY OF WINNIPEG
WATER AND WASTE DEPARTMENT

RIVERBEND LIFT STATION UPGRADES

PROCESS - PROCESS AND INSTRUMENTATION DIAGRAM

CITY DRAWING NUMBER: 1-01778L-P0001-001
SHEET 001 OF
CONSULTANT PROJECT NUMBER: 22-3229
CONSULTANT DRAWING NUMBER: P-01