

METAL SLAT WR:

Galvanized Finish: Product # 52501063GLV

WIRE BASKET:

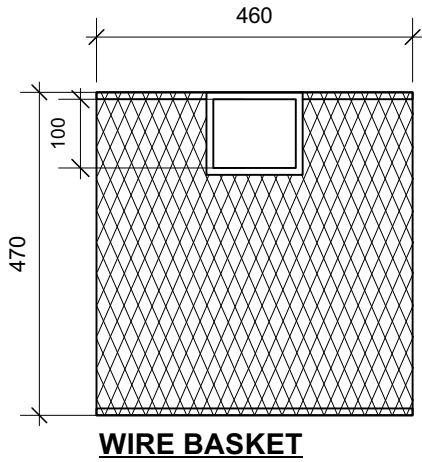
Galvanized Finish: Product # 52501058GLV

Drawing Title:

**WASTE RECEPTACLE
SIDE OPENING METAL SLAT TYPE**

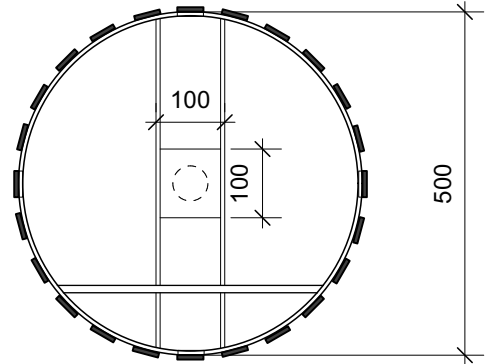
Drawing No:

SCD-119

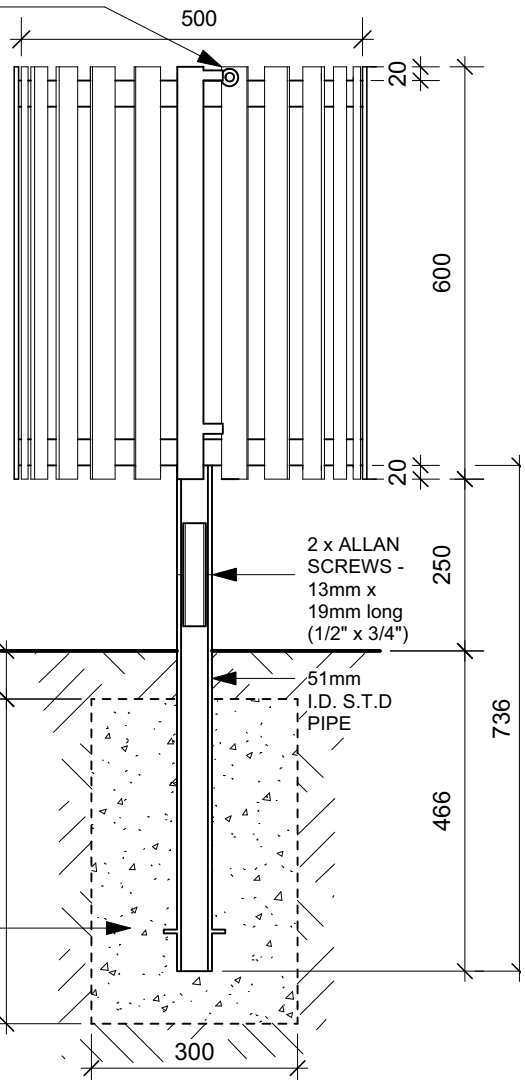


NOTE FOR GALVANIZED FINISH:

- METAL TO BE HOT DIPPED GALVANIZED.



TO TAKE PADLOCK



DIMENSIONS SHOWN ARE IN MILLIMETRES UNLESS OTHERWISE SPECIFIED

REVISION: 4
 DATE: Jan 14, 2021
 SCALE: N.T.S.
 DRAWN BY: GZ

The City of Winnipeg
 Planning, Property and Development Department
 Planning and Land Use Division
 Unit 15 - 30 Fort Street, Winnipeg, MB, R3C 4X5

