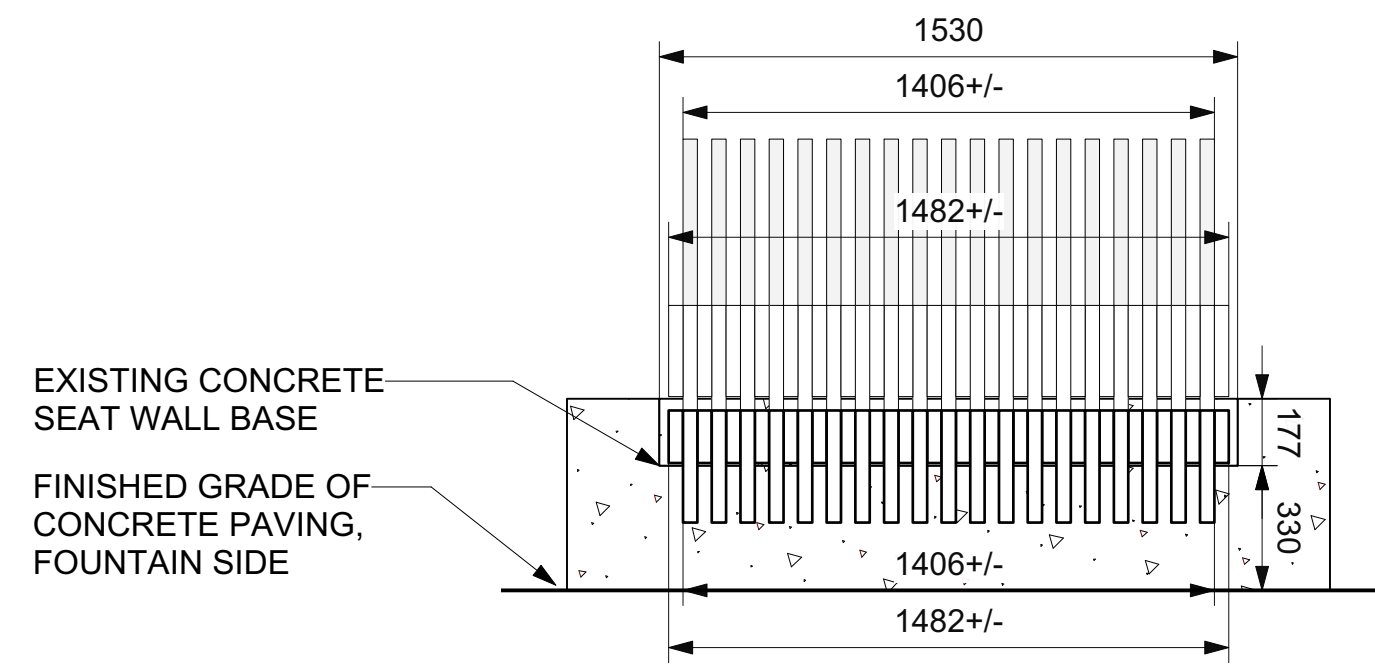
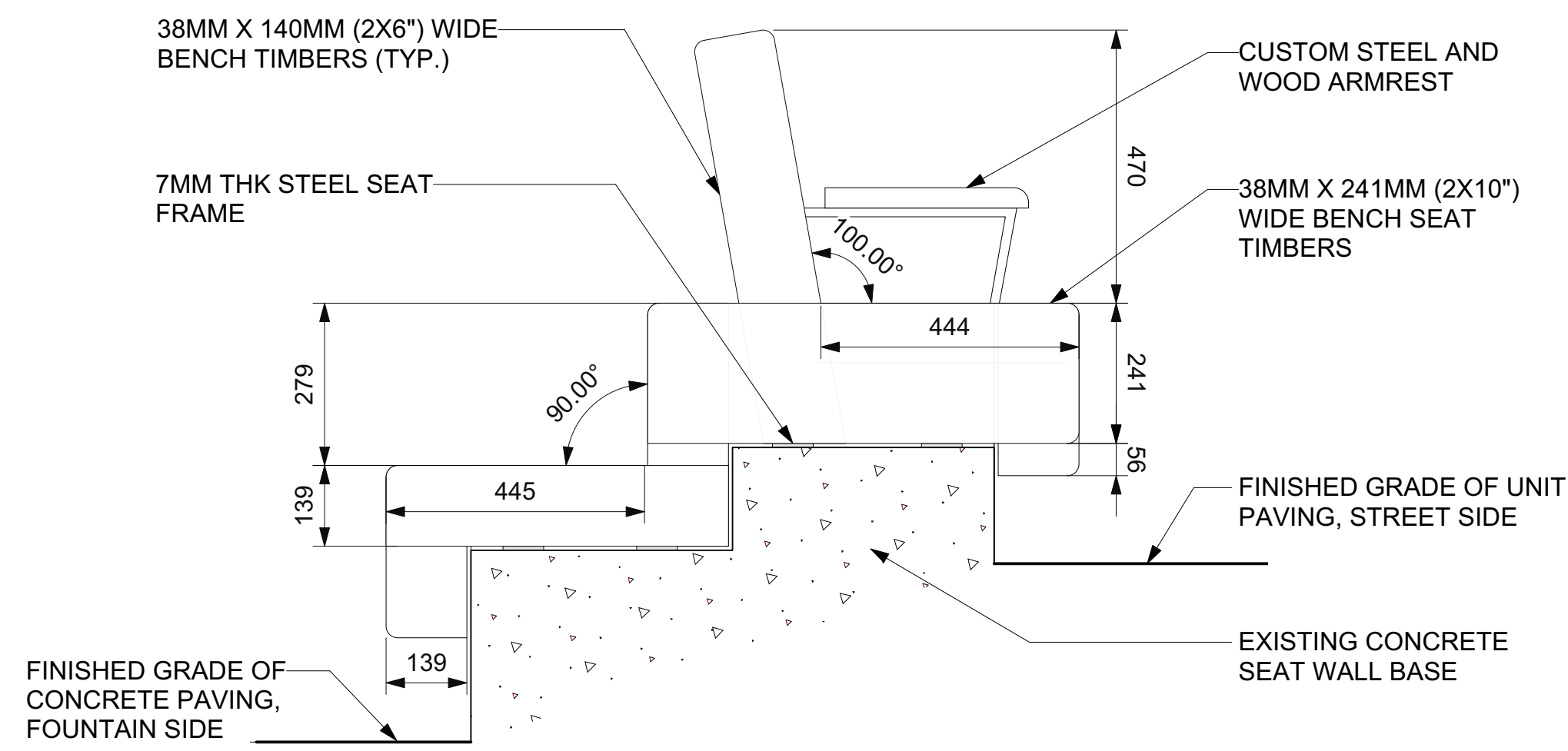


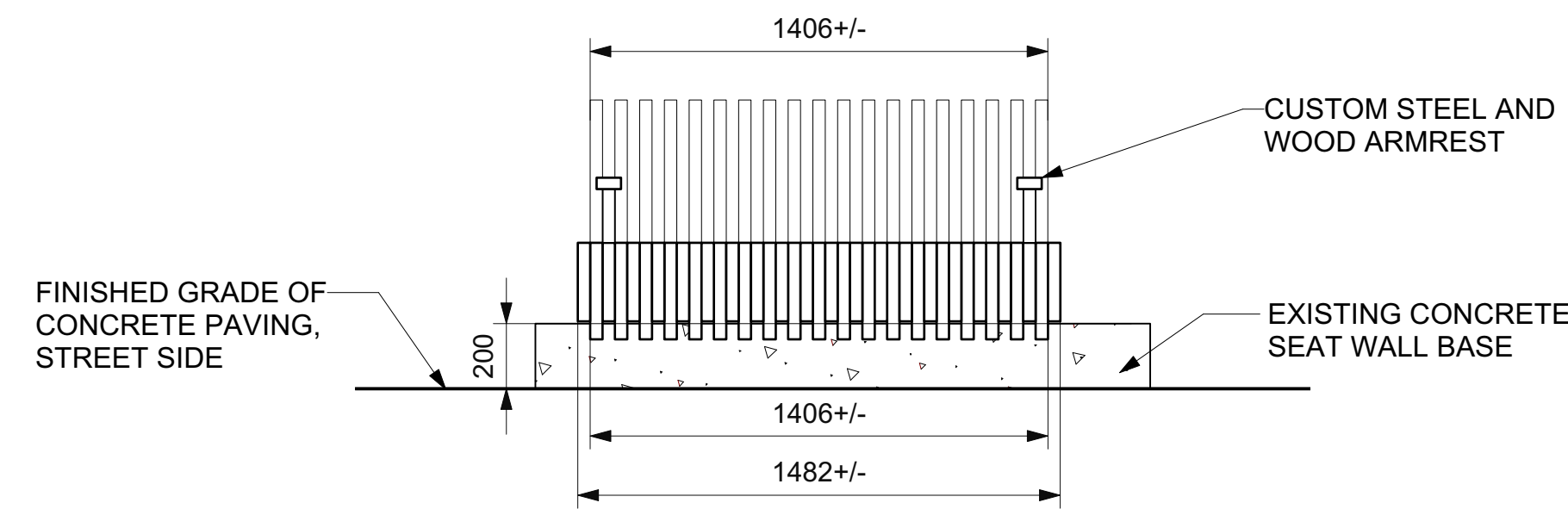
1 CUSTOM ACCESSIBLE BENCH - PLAN
Scale: 1:20



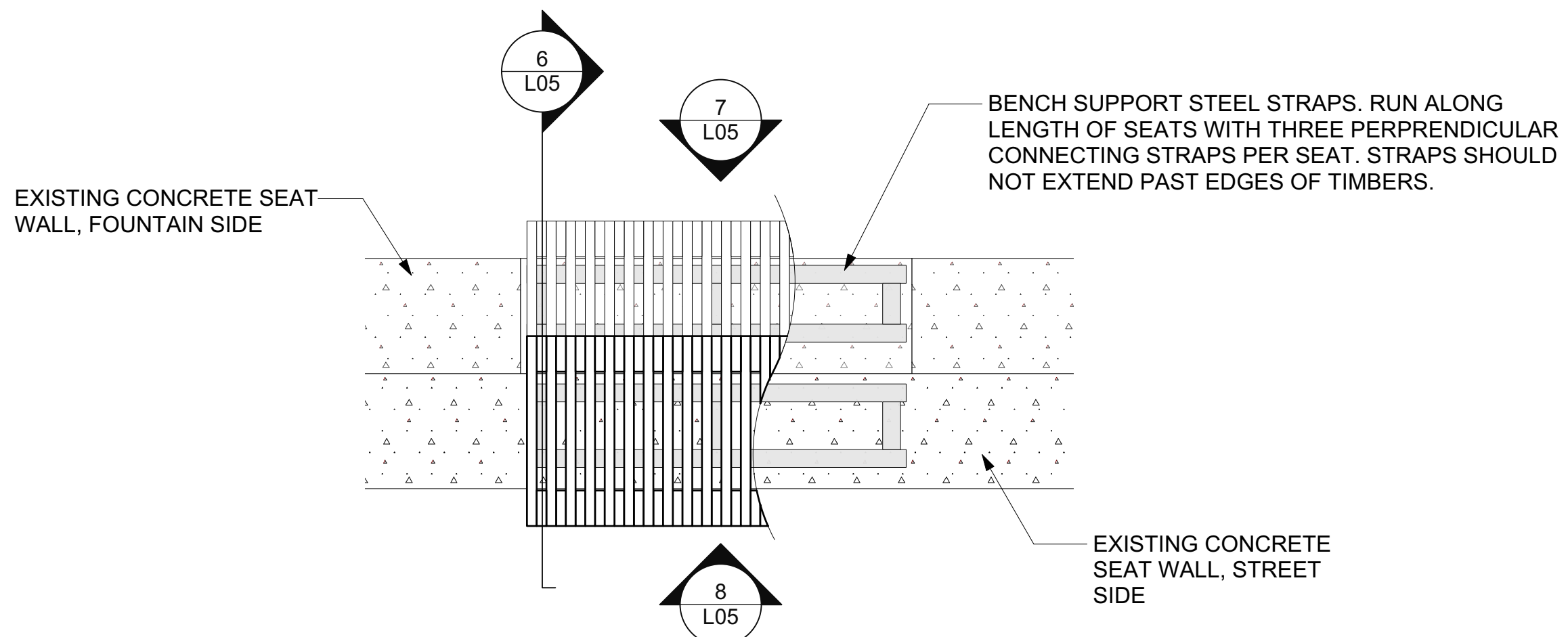
3 CUSTOM ACCESSIBLE BENCH - ELEVATION A
Scale: 1:20



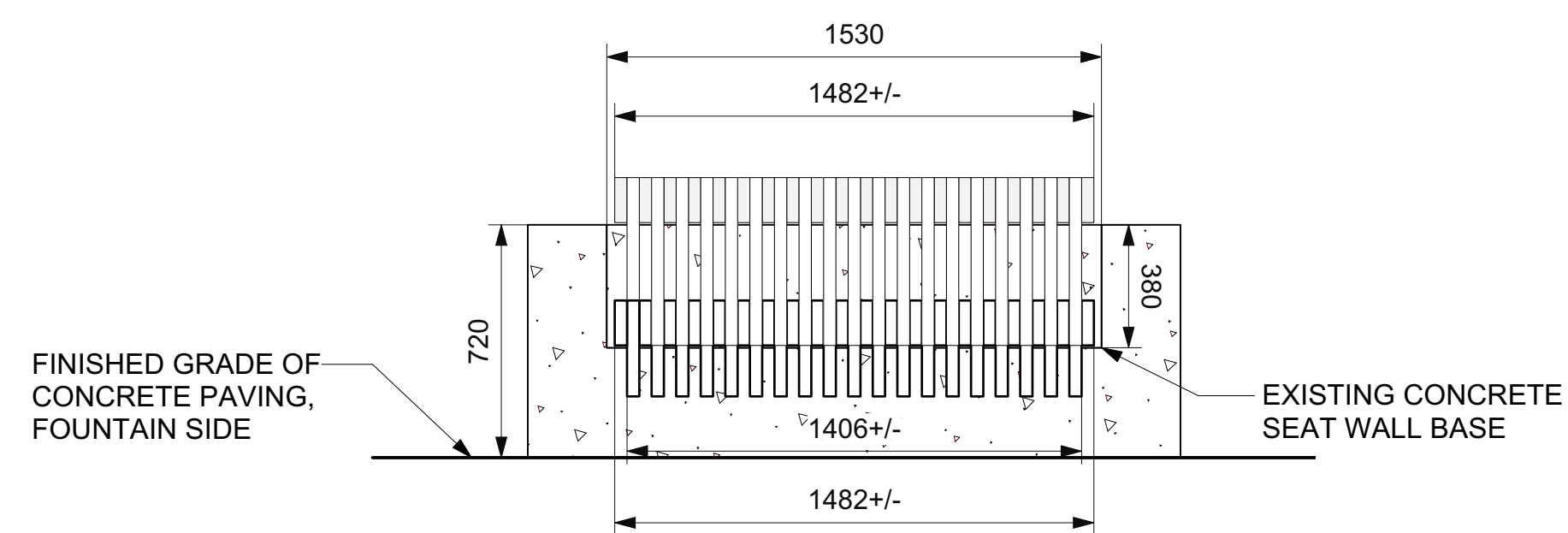
2 CUSTOM ACCESSIBLE BENCH - SECTION
Scale: 1:10



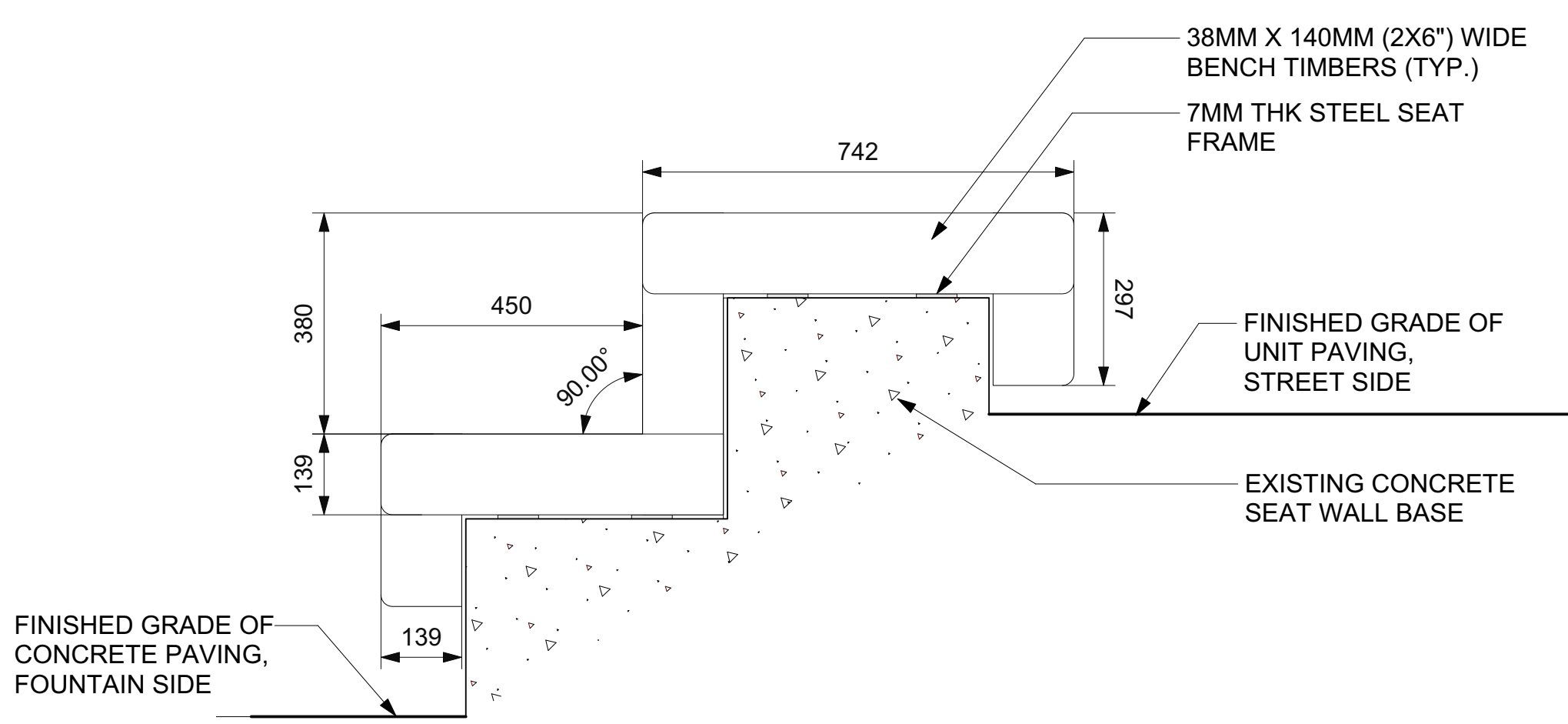
4 CUSTOM ACCESSIBLE BENCH - ELEVATION B
Scale: 1:20



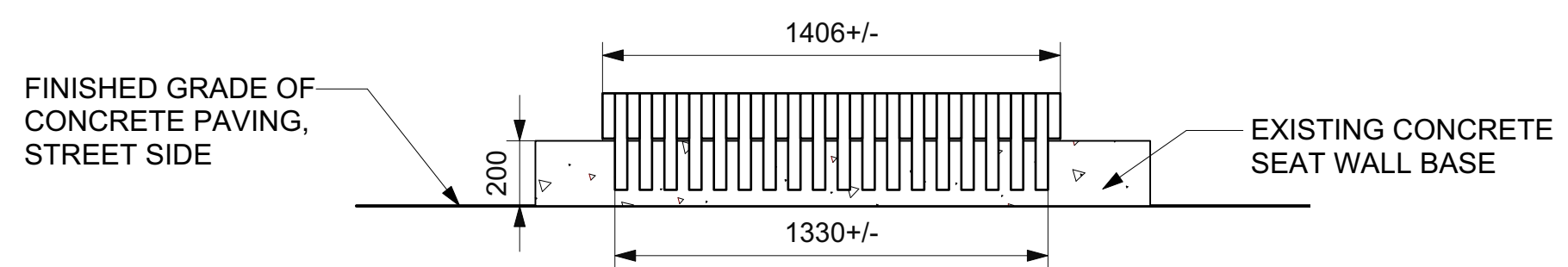
5 CUSTOM BENCH - PLAN
Scale: 1:20



7 CUSTOM BENCH - ELEVATION A
Scale: 1:20



6 CUSTOM BENCH - SECTION
Scale: 1:10



8 CUSTOM BENCH - ELEVATION B
Scale: 1:20

SHOP DRAWINGS REQUIRED FOR ALL CUSTOM BENCHES

THIS DRAWING SHALL NOT BE SCALED. FOLLOW GIVEN DIMENSIONS ONLY.
THE CONSTRUCTOR SHALL SATISFY HIM/HERSELF THAT ALL DIMENSIONS AND INFORMATION ARE CORRECT.
PRIOR TO THE COMMENCEMENT OF WORK REPORT ANY DISCREPANCIES TO THE CONTRACT ADMINISTRATOR.
VARIATIONS AND MODIFICATIONS TO WORK WILL NOT BE ALLOWED WITHOUT THE WRITTEN PERMISSION OF THE CONTRACT ADMINISTRATOR.
THIS DRAWING SHALL NOT BE USED FOR CONSTRUCTION PURPOSES UNTIL APPROVED BY CONTRACT ADMINISTRATOR AND AUTHORIZED BY OWNER.

No.	Date	Reviewed	Revision Notes
E	2022-06-08	ML	ISSUED FOR TENDER
D	2022-05-13	ML	ISSUED FOR TENDER
C	2022-04-21	ML	ISSUED FOR 90% REVIEW
B	2021-12-21	ML	ISSUED FOR 60% REVIEW
A	2021-10-21	ML	ISSUED FOR 30% REVIEW

PRELIMINARY DRAWING
NOT TO BE USED FOR CONSTRUCTION

Consultant
little bluestem
landscape architecture
Little studio, deep roots.
139 MORLEY AVENUE
WINNIPEG, MB

Project Title
**BROADWAY BLVD
INTERPRETIVE PLAZA**
WEST MEDIAN AT BROADWAY
AND DONALD AVENUE

Sheet Title
CUSTOM BENCH DETAILS

Drawn By	ML	Project No.	464-2022
Reviewed By	DG	Sheet No.	L05
Date	2022-06-08		
Scale	AS NOTED		