

1 ENLARGED PLAN
SCALE: 3/8" = 1'-0"

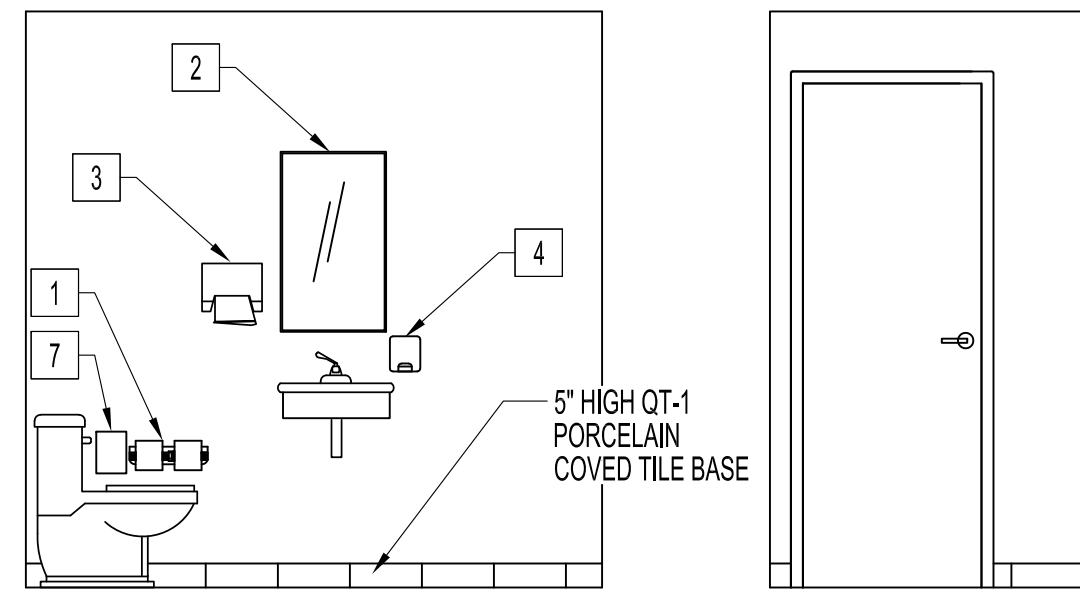
WASHROOM ACCESSORIES

No:	DESCRIPTION
1	TOILET PAPER HOLDER: BOBRICK 2740 SURFACE MOUNTED DUEL-ROLL DISPENSER, STAINLESS STEEL (SATIN FINISH)
2	MIRROR (UTR 1-46B); BOBRICK B-293 1836 FIXED POSITION, TILT MIRROR (OTHER); BOBRICK B-2908/1830 SURFACE MOUNTED WITH ALUMINUM FRAME AND ADHESIVE. SIZE AND POSITION SHOWN ON DRAWINGS.
3	PAPER TOWEL DISPENSER: KIMBERLY CLARK PROFESSIONAL H-1131
4	SOAP DISPENSER: BOBRICK B-2012 AUTOMATIC WALL MOUNTED DISPENSER, STAINLESS STEEL (SATIN FINISH)
5	COAT HOOK: BOBRICK B-983 VANDAL-RESISTANT HOOK, STAINLESS STEEL (SATIN FINISH)
6	MALE / FEMALE / HC SIGN (N.I.C.)
7	SANITARY NAPKIN DISPOSAL: BOBRICK B-270 SURFACE MOUNTED DISPOSAL
8	36" GRAB BAR: BOBRICK B-6106.99 (24" & 36") 1 1/2", 18 GA. TUBE, EXPOSED MOUNTING FLANGE, PEENED GRIP
9	24" GRAB BAR: BOBRICK B-6106.99 (24" & 36") 1 1/2", 18 GA. TUBE, EXPOSED MOUNTING FLANGE, PEENED GRIP
10	CALL ASSIST BUTTON: REFER TO ELECTRICAL
11	S.S. SHELF: BOBRICK B-295X16

NOTE: ONLY ITEM-6 TO BE SUPPLIED BY WFPS

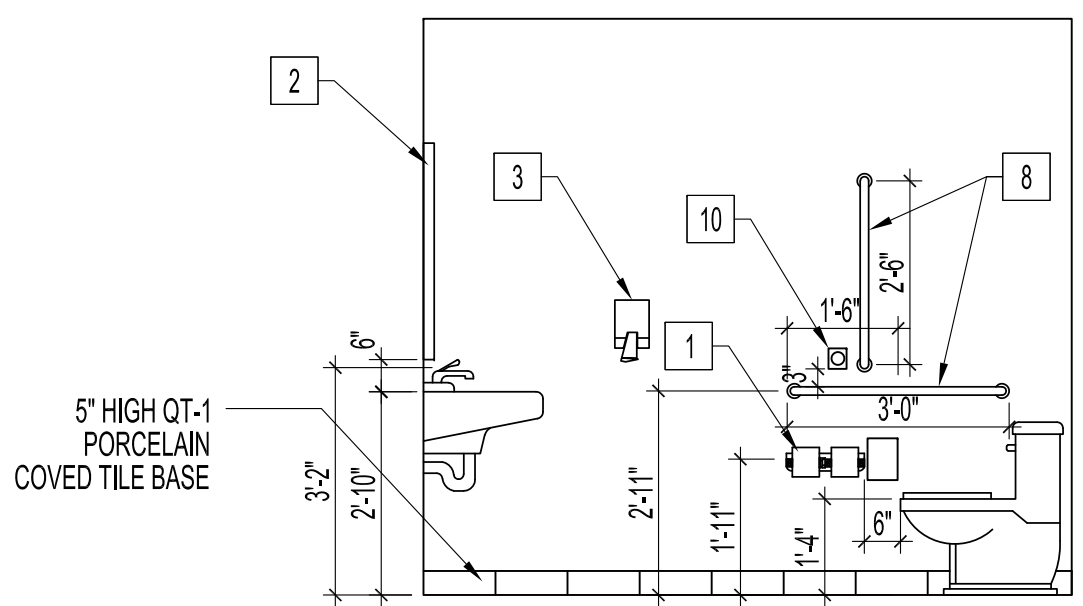
LIFE SAFETY REQUIREMENTS

KEY	DESCRIPTION
DA	DOOR ACTUATORS
GFCI	GROUND FAULT CIRCUIT INT.
ECS	EMERGENCY CALL SYSTEM
FSS	FIRE ALARM STROBE SIREN
OS	OCCUPANCY SENSOR

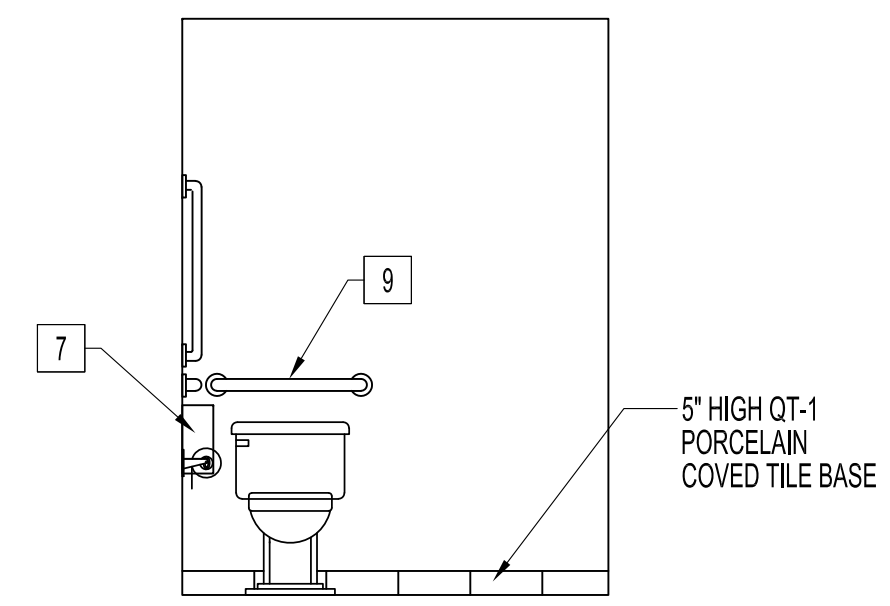


2 ELEVATION - TYP.
SCALE: 3/8" = 1'-0"

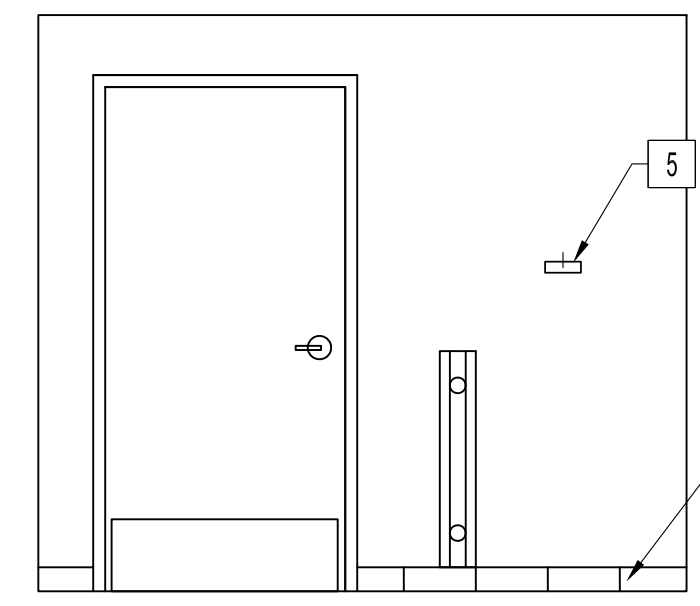
3 ELEVATION - TYP.
SCALE: 3/8" = 1'-0"



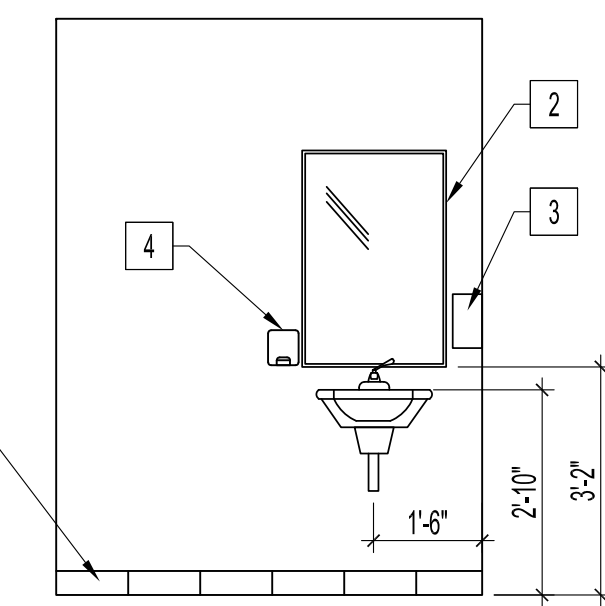
4 ELEVATION - TYP.
SCALE: 3/8" = 1'-0"



5 ELEVATION - TYP.
SCALE: 3/8" = 1'-0"



6 ELEVATION - TYP.
SCALE: 3/8" = 1'-0"



7 ELEVATION - TYP.
SCALE: 3/8" = 1'-0"

NOTES:
THESE DRAWINGS SHALL NOT BE SCALED.

THE CONTRACTOR SHALL VISIT THE SITE AND SATISFY ONESELF ALL DIMENSIONS, DATUM, AND DETAILED INFORMATION SHOWN ARE CORRECT.

THE CONTRACTOR IS TO REVIEW AND COORDINATE ALL ARCHITECTURAL, MECHANICAL, ELECTRICAL AND STRUCTURAL DRAWINGS FOR ADDITIONAL OPENINGS THROUGH FLOORS, WALLS, AND CEILINGS FOR DUCT, PIPE & ELECTRICAL RISERS AND ALL OPENINGS NOT SHOWN ON DRAWINGS.

ALL OPENINGS THROUGH FIRE ASSEMBLIES ARE TO BE FIRE STOPPED AND SEALED WITH ULC APPROVED FIRE STOPPING TO MAINTAIN THE INTEGRITY OF THE FIRE SEPARATION, AND PROVIDE A SMOKE-TIGHT BARRIER.

ALL PRODUCTS AND MATERIALS TO BE USED AND INSTALLED SHALL CONFORM WITH MANUFACTURER'S SPECIFICATIONS & APPLICABLE CODES.

THE CONTRACTOR SHALL BE RESPONSIBLE TO PATCH AND MAKE GOOD ALL EXISTING CONSTRUCTION AFFECTED BY THE REMOVAL OF ALL ITEMS FORMING THE PART OF THE RENOVATION WORK.

WHERE NEW FLOORING AND BASE IS TO BE INSTALLED IN EXISTING AREAS (REFER TO FLOOR PLAN AND ROOM SCHEDULE) THE EXISTING FLOORING SURFACE AND BASE MUST BE REMOVED, UNLESS OTHERWISE NOTED. ALL FLOOR SURFACES SHALL BE PREPARED IN ACCORDANCE TO MANUFACTURER'S RECOMMENDATIONS FOR INSTALLATION OF NEW FLOOR.

WHERE PAINTING OF EXISTING WALLS IS INDICATED ON THE ROOM SCHEDULE, THESE WALLS MUST BE CLEANED OF ANY EXISTING WALL COVERING, PATCHED & PREPARED TO ACCEPT NEW MATERIAL, UNLESS OTHERWISE NOTED.

WARNING:
ASBESTOS MAYBE PRESENT BEHIND WALLS, CEILING SPACE & FLOORS. IF ASBESTOS & ANY HAZARDOUS MATERIAL IS FOUND, STOP WORK IMMEDIATELY & CONTACT CITY OF WINNIPEG, CENTRAL CONTROLS, PH: 204-986-2351.

No.	REVISION/DESCRIPTION	BY	DATE
2	DRAWING REISSUE - REVISION 2	PAS	2022.06.26
1	DRAWING REISSUE - REVISION 1	PAS	2022.08.25
0	ISSUED FOR CONSTRUCTION	JNR	2022.06.29

DRAWN	CHECKED	DESIGNED	APPROVED
JNR	BGP	BGP	BGP
DATE: 2022.06.29	USER APPROVAL		

Winnipeg THE CITY OF WINNIPEG ASSETS AND PROJECT MANAGEMENT DEPARTMENT MUNICIPAL ACCOMMODATIONS DIVISION 3-65 GARRY STREET, R3C 4K4

PROJECT
WFPS TRAINING
REPAIR & STORAGE FACILITY
WASHROOMS RENOVATION
2546 McPHILLIPS STREET

SHEET TITLE
ENLARGED PARTIAL MAIN FLOOR
CONSTRUCTION PLAN PHASE ONE
ELEVATIONS

SCALE	PROJECT No:	SHEET No:
AS SHOWN	2021-085	A3R2