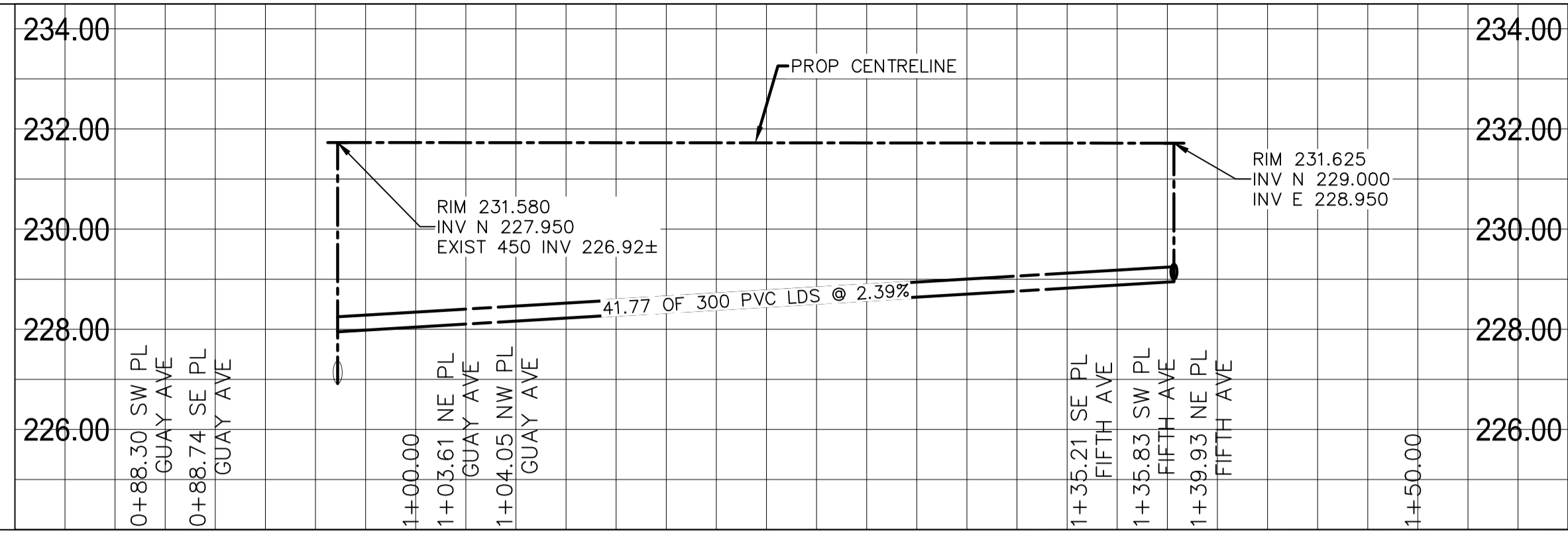
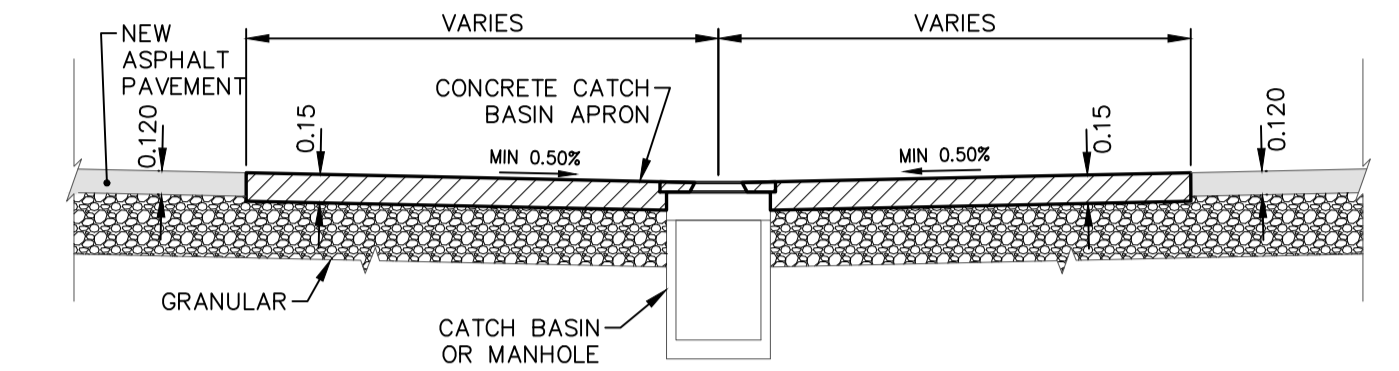


Jul 21, 2022 - 6:30pm
 F:\2022\221-03150-00_03_Work_Dwg_221-03150-00_Fifth Ave_Guay Ave_Plan_Profile.dwg - (tab:541-2022_Drawing_221-03150-00-06-RB)

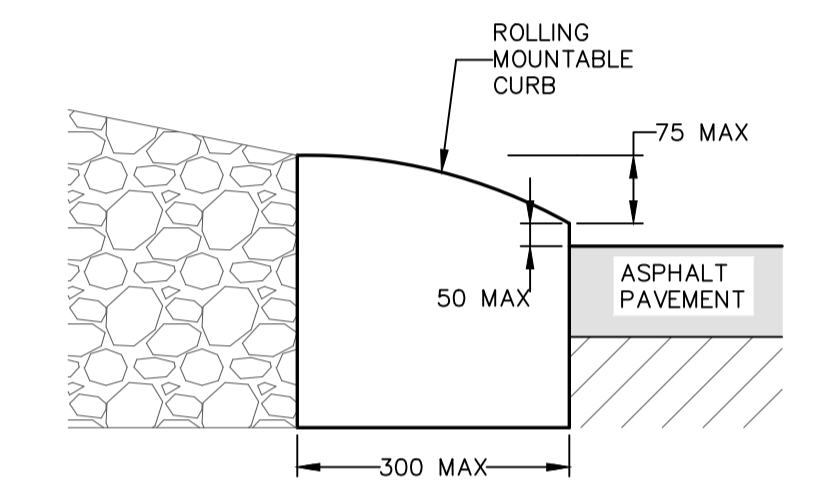


LAND DRAINAGE SEWER PROFILE
 SCALE: 1:250 HOR
 1:100 VER

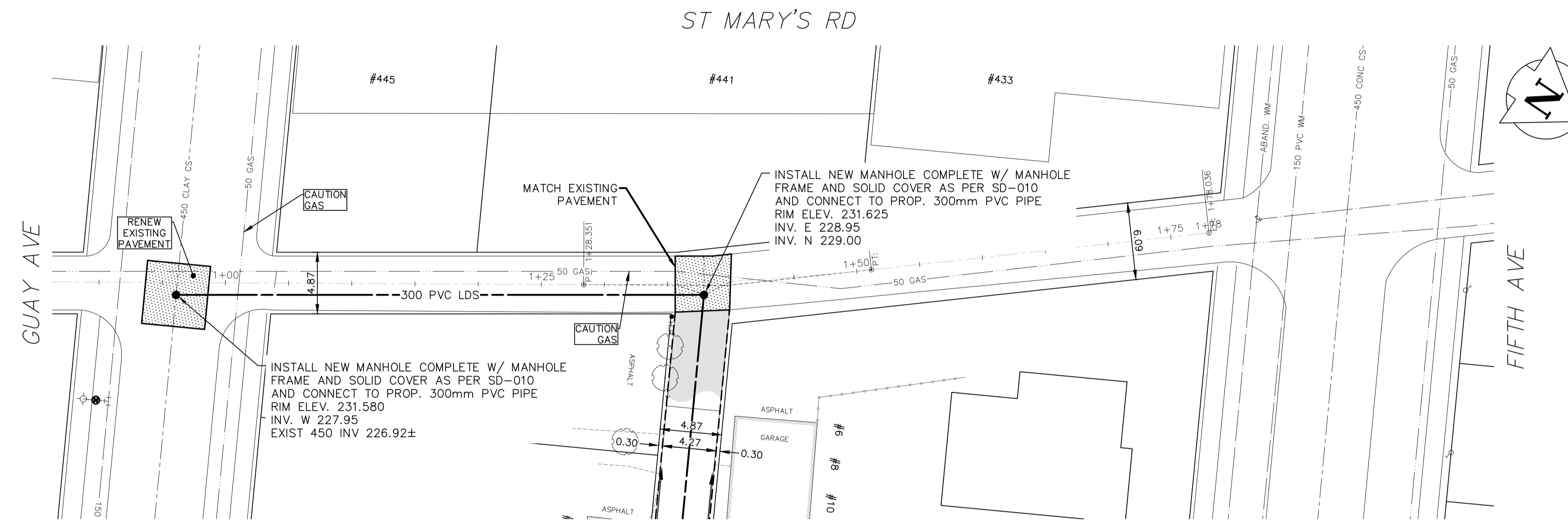
- NOTES:**
1. ALL WORK AND MATERIALS TO BE IN ACCORDANCE WITH THE LATEST REVISION OF THE CITY OF WINNIPEG STANDARD CONSTRUCTION SPECIFICATIONS.
 2. CONTRACTOR TO CONFIRM THE LOCATION OF ALL UTILITIES/SERVICES IN THE FIELD PRIOR TO CONSTRUCTION.
 3. ALL ROADWAY DIMENSIONS SHOWN ARE TO BACK OF CURB.
 4. EXISTING ASPHALT TO BE PLANED AS SHOWN OR AS DIRECTED BY CONTRACT ADMINISTRATOR.
 5. 150mm CONCRETE APRON, TEE AND MAIN APPROACHES AS DIRECTED BY CONTRACT ADMINISTRATOR.
 6. EXISTING SIDEWALK TO BE RENEWED AS PER SD-228A AND AS DIRECTED BY CONTRACT ADMINISTRATOR.
 7. PLANE/REMOVE EXISTING CURB AS DIRECTED BY CONTRACT ADMINISTRATOR.
 8. ALL PRIVATE WALKWAYS TO BE ADJUSTED TO NEW SIDEWALK OR TOP OF CURB ELEVATION, AS DIRECTED BY THE CONTRACT ADMINISTRATOR.
 9. PAVEMENT REPAIR FABRIC TO BE INSTALLED AS DIRECTED BY CONTRACT ADMINISTRATOR.
 10. ALL EXISTING PRIVATE APPROACHES TO BE RENEWED AS DIRECTED BY CONTRACT ADMINISTRATOR.
 11. INSTALLATION OF MOUNTABLE LIP CURBS AND THEIR LIMITS THROUGH PRIVATE APPROACHES TO BE DETERMINED BY CONTRACT ADMINISTRATOR.
 12. MODIFIED BARRIER CURB TO BE CONSTRUCTED AT ALL INTERSECTION RADII AND ALLEY RADII
 13. CONTRACTORS TO TAKE PRECAUTIONARY STEPS TO PROTECT EXISTING TREES WITHIN THE LIMITS OF CONSTRUCTION FROM DAMAGE FROM CONSTRUCTION ACTIVITIES AS OUTLINED IN THE SPECIFICATIONS.
 14. LAMP STANDARDS, HYDRO POLES, AND ANCHORS THAT REQUIRE TEMPORARY SUPPORT, REMOVAL OR REPLACEMENT TO BE DONE SO AT THE EXPENSE OF THE CONTRACTOR AS NECESSARY.
 15. WHERE UNSTABLE SUB GRADE ARE ENCOUNTERED, ADDITIONAL EXCAVATION AND PLACEMENT OF SUBBASE AS DIRECTED BY CONTRACT ADMINISTRATOR.
 16. ADJUSTMENTS TO PROPOSED CROSSFALL, WHERE REQUIRED, ARE TO BE DETERMINED BY CONTRACT ADMINISTRATOR TO SUIT EXISTING DRIVEWAYS, APPROACHES, GARAGE PADS AND YARDS.
 17. ALL BOULEVARDS TO BE SODDED UNLESS OTHERWISE NOTED.
 18. ADJUST ALL WATER VALVES, HYDRANTS, MANHOLES, AND CATCH BASINS IN WORK AREA TO GRADE.
 19. REMOVE, ADJUST AND SUPPLY PRECAST SIDEWALK BLOCKS AS DIRECTED BY CONTRACT ADMINISTRATOR.



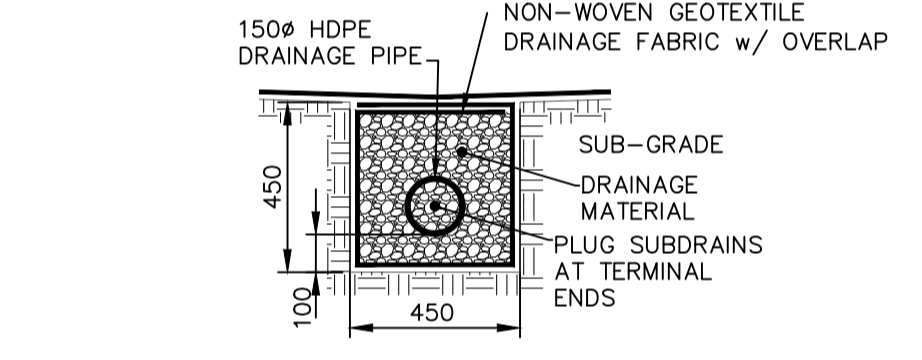
TYPICAL TEE CATCHBASIN APRON DETAIL
 NTS



TYPICAL MOUNTABLE LIP CURB DETAIL
 NTS



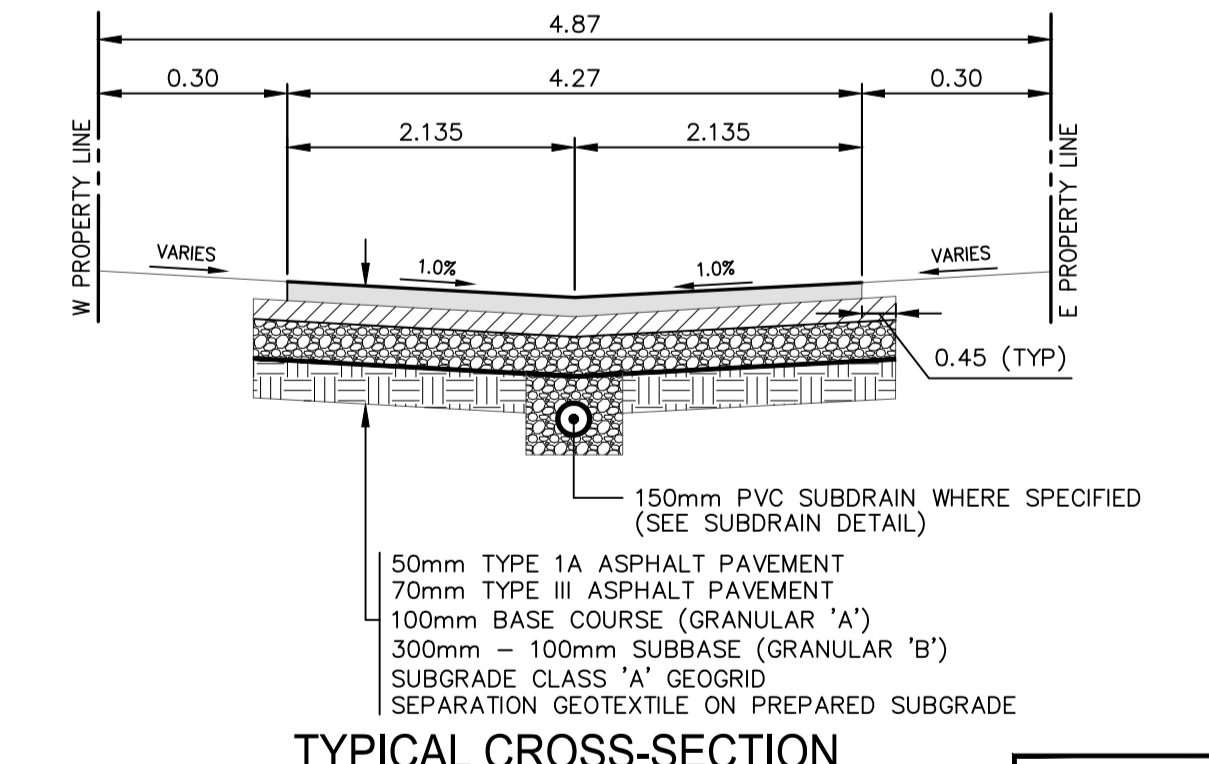
FOR CONTINUATION SEE
 DWG 221-03150-00-04



TYPICAL ALLEY SUBDRAIN DETAIL
 NTS

REFERENCE SPECIFICATIONS

1. SUB-GRADE, SUB-BASE AND BASE MATERIAL SHALL BE SUPPLIED AND PLACED IN ACCORDANCE WITH CW-3110
2. INSTALLATION OF SUBDRAINS SHALL BE IN ACCORDANCE WITH CW-3120
3. DRAINAGE GEOTEXTILE FABRIC AND DRAINAGE PIPE SHALL CONFORM TO "APPROVED PRODUCTS FOR SURFACE WORKS"



TYPICAL CROSS-SECTION
 NTS

EXISTING	LEGEND-PLAN	PROPOSED	EXISTING	LEGEND-PLAN	PROPOSED	EXISTING	LEGEND-PROFILE	PROPOSED
---	WATER MAIN	---	⊕	IRON BAR	---	---		
---	LAND DRAINAGE SEWER	---	⊕	HYDRO POLE & LIGHT STANDARD	---	---		
---	WASTE WATER SEWER	---	⊕	LIGHT STANDARD OR TRAFFIC SIGNAL	---	---		
---	HYDRO	---	HP	HYDRO POLE	---	---		
---	BELL/MTS	---	□	CURB RAMP	---	---		
---	GAS	---	⊕	DETECTABLE WARNING SURFACE TILE	---	---		
---	SIGNALS	---	---	EDGE OF SIDEWALK	---	---		
○	MANHOLE	●	---	FENCE	---	---		
□	CATCH BASIN	■	---	PROPERTY LINE	---	---		
△	CURB INLET	▽	---	EDGE OF ASPHALT	---	---		
---	UTILITIES ADJUSTED	△ □ ○	---	EDGE OF CONCRETE	---	---		
⌋	PLUG	⌋	---	MODIFIED BARRIER CURB	---	---		
⊕	HYDRANT	⊕	---	BARRIER CURB	---	---		
⊕	VALVE	⊕	---	BARRIER CURB AND GUTTER	---	---		
⌋	CURB STOP	⌋	---	CONC SIDEWALK	---	---		
230.99	GROUND GRADE	(231.000)	---	CONCRETE SLAB	---	---		
---	PAVEMENT GRADE	---	---	ASPHALT	---	---		
---	ANCHOR	---	---	MILLED SURFACE	---	---		
#111	CIVIC ADDRESS	---	---	PAVEMENT REPAIR FABRIC	---	---		
---	LEGEND-PLAN	---	---	LEGEND-PROFILE	---	---		

NOTE: CHAINAGES SHOWN ARE ALONG
 C OF RIGHT-OF-WAY

LOCATIONS APPROVED UNDERGROUND STRUCTURES

SIGNED BY: _____ DATE: _____
 SUPPLY UNDERG. STRUCTURES

LOCATION OF UNDERGROUND STRUCTURES AS SHOWN ARE BASED ON THE BEST INFORMATION AVAILABLE BUT NO GUARANTEE IS GIVEN THAT ALL EXISTING UTILITIES ARE SHOWN OR THAT THE GIVEN LOCATIONS ARE EXACT CONFIRMATION OF EXISTENCE AND EXACT LOCATION OF ALL SERVICES MUST BE OBTAINED FROM THE INDIVIDUAL UTILITIES BEFORE PROCEEDING

NO.	REVISIONS	DATE	BY
H			
G			
F			
E			
D			
C			
B	ISSUED FOR TENDER	21/07/22	AB
A	DETAILED DESIGN REVIEW	19/07/22	AB

DESIGNED BY: AB CHECKED BY: KG
 DRAWN BY: AB APPROVED BY: SM
 HOR. SCALE: 1:250
 VERTICAL: 1:10
 DATE: JULY 2022

WSP
 WSP Canada Inc.
 1600 Buffalo Place
 Winnipeg, MB R3T 6B8
 T. 204.477.6650
 F. 204.474.2864
 www.wsp.com

ENGINEER'S SEAL

 2022-07-26
 CONSULTANT ACAD DWG. NO. 221-03150-00-06

THE CITY OF WINNIPEG
 PUBLIC WORKS DEPARTMENT
 ENGINEERING SERVICES DIVISION

Winnipeg

2022 TBO & LOCAL IMPROVEMENTS
 DES MEURONS ST LDS FIFTH AVE/GUAY AVE ALLEY

ASPHALT ALLEY RECONSTRUCTION
 STA. 0+96.11 (GUAY AVE) TO STA. 1+39.93 (ALLEY MH)

CITY DRAWING NUMBER: ---06
 SHEET 06 OF 12
 TENDER NO. 541-2022

ENGINEERS GEOSCIENTISTS MANITOBA
 Certificate of Authorization
 WSP Canada Inc.
 No. 5750

METRIC FOR TENDER PURPOSES ONLY
 WHOLE NUMBERS INDICATE MILLIMETRES
 DECIMALIZED NUMBERS INDICATE METRES
NOT FOR CONSTRUCTION