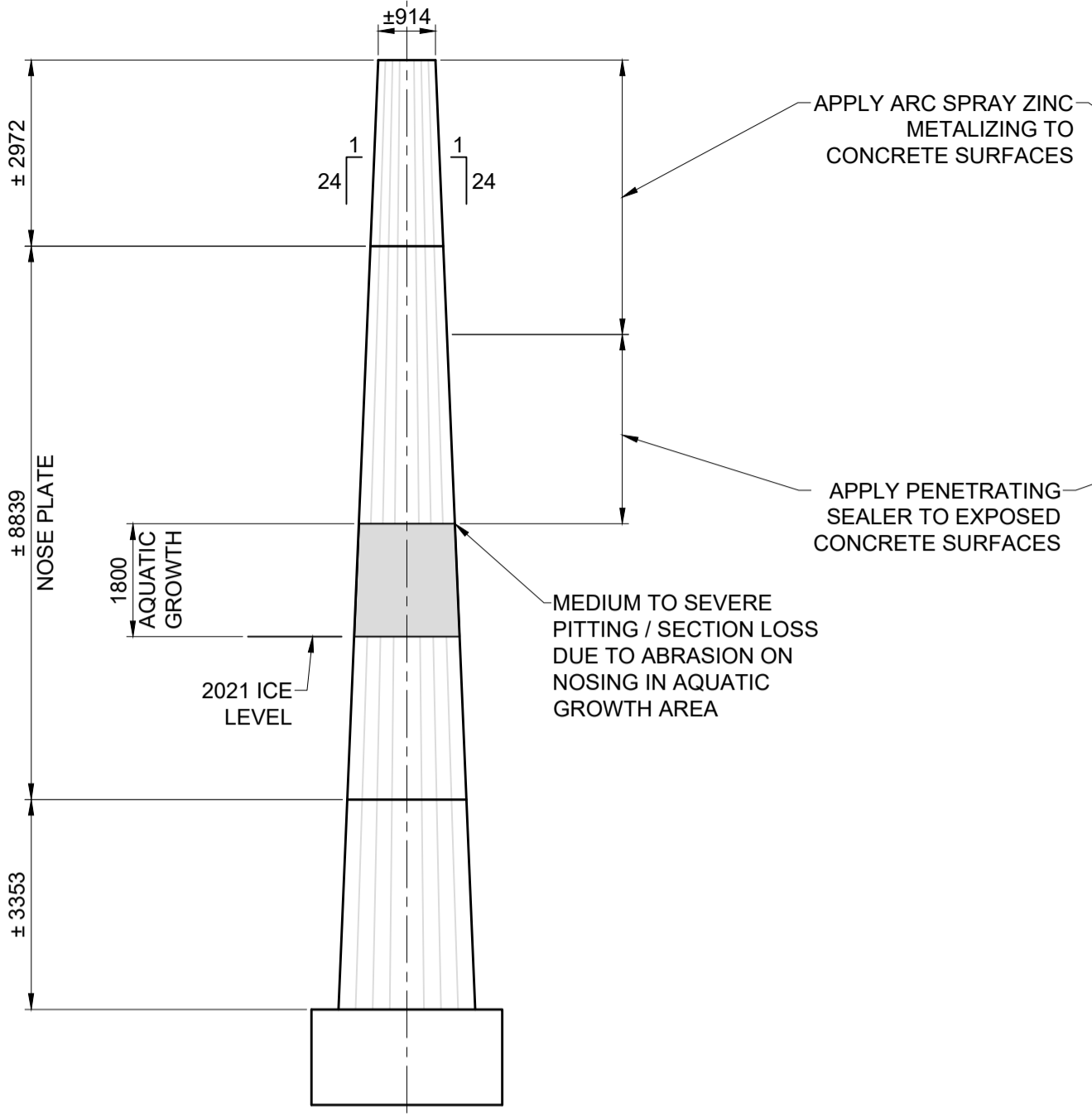
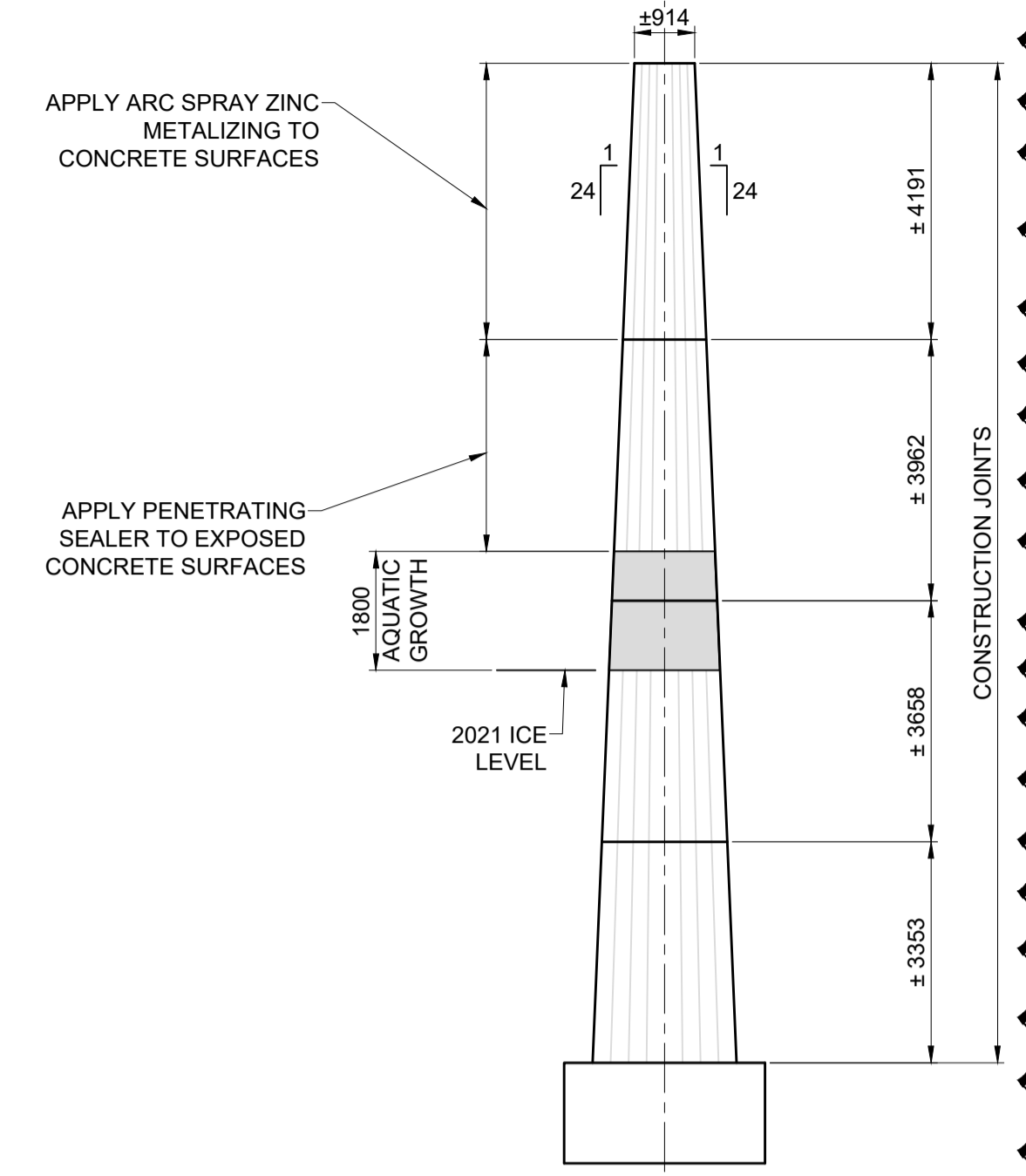


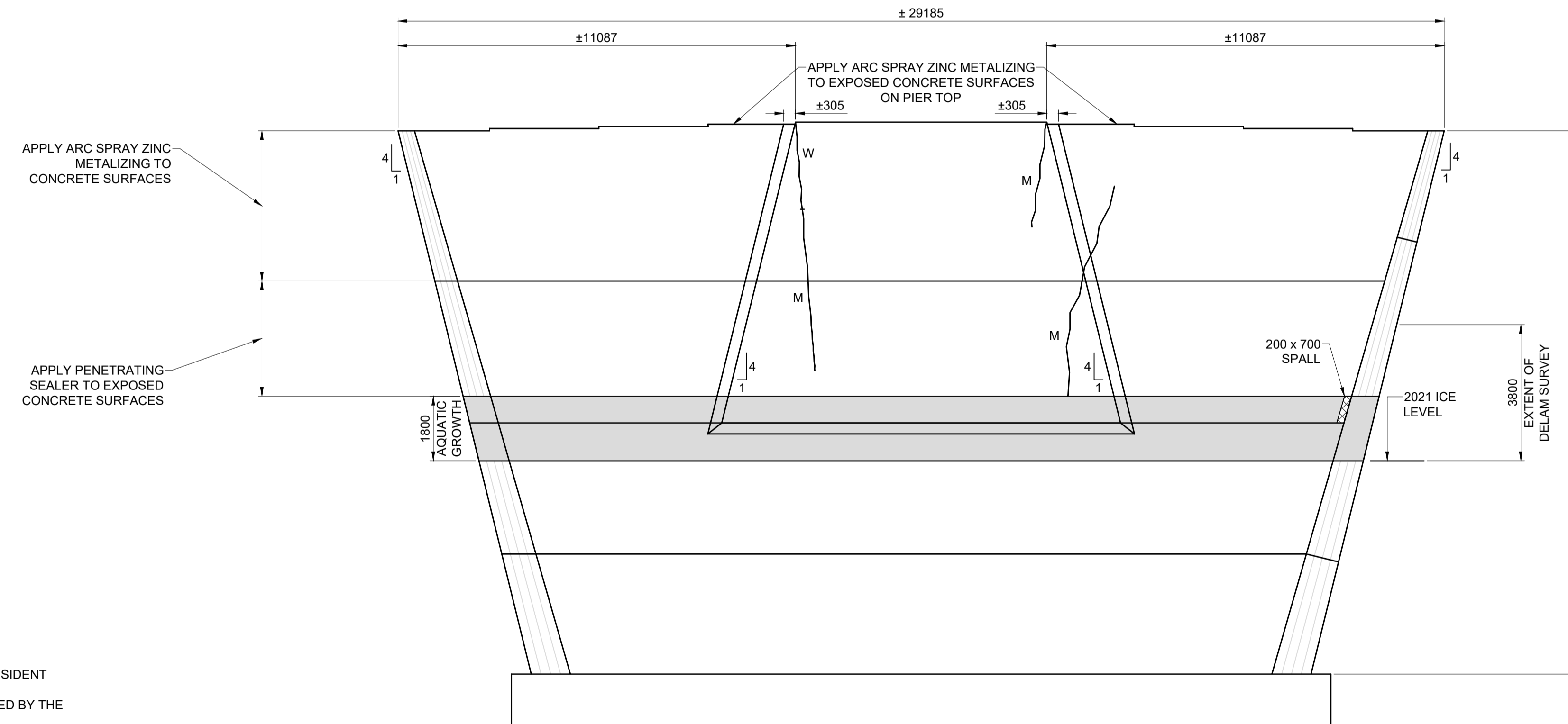
**PIER 4 SOUTH FACE** SCALE: 1:100



**PIER 4 WEST END** SCALE: 1:100



**PIER 4 EAST END** SCALE: 1:100



**PIER 4 NORTH FACE** SCALE: 1:100

- NOTES:**
1. DEFECTS MAPPED JULY 2022.
  2. CONTRACTOR TO UNDERTAKE DELAMINATION SURVEY WITH RESIDENT ENGINEER TO CONFIRM EXTENT OF DEFECTS.
  3. MEDIUM AND WIDE CRACKS TO BE EPOXY INJECTED AS DIRECTED BY THE CONTRACT ADMINISTRATOR.
  4. REPAIRS TO BE COMPLETED TO DELAMINATED, SPALLED, CRACKED, AND SCALED CONCRETE PRIOR TO APPLYING ARC SPRAY ZINC METALIZING OR PENETRATING SEALER. REFER TO SHEET 139 FOR PATCH REPAIR DETAILS.
  5. MEDIUM CRACKS RANGE IN WIDTH FROM 0.3 TO 1.0 mm ±
  6. APPLY ARC SPRAY ZINC METALIZING OR PENETRATING SEALER TO EXPOSED CONCRETE SURFACES, AS INDICATED, AFTER COMPLETING CONCRETE REPAIRS AND MODIFICATIONS FOR BEARINGS (REFER TO SHEET 134)

**LEGEND:**

MEDIUM CRACK		SPALL	
WIDE CRACK		AQUATIC GROWTH	
DELAMINATION		DARK STAINING	
		MAP CRACKING	

**METRIC**  
WHOLE NUMBERS INDICATE MILLIMETRES  
DECIMALIZED NUMBERS INDICATE METRES

**LOCATION APPROVED**  
UNDERGROUND STRUCTURES

SUPR. U/G STRUCTURES COMMITTEE DATE

**NOTE:**  
LOCATION OF UNDERGROUND STRUCTURES AS SHOWN ARE BASED ON THE BEST INFORMATION AVAILABLE BUT NO GUARANTEE IS GIVEN THAT ALL EXISTING UTILITIES ARE SHOWN OR THAT THE GIVEN LOCATIONS ARE EXACT. CONFIRMATION OF EXISTENCE AND EXACT LOCATION OF ALL SERVICES MUST BE OBTAINED FROM THE INDIVIDUAL UTILITIES BEFORE PROCEEDING WITH CONSTRUCTION.

BM 54-006 ELEV 228.166 m	Tbl. in S. face of E. Conc. pier in 1st row of Conc. piers N. of S. end of St. Vital Bridge over Red River. N. of Kingston Row, 5 m W. of E. end of Pier.
1	REVISED FOR ADDENDUM 3 23/01/13 BAP
0	ISSUED FOR TENDER 22/11/24 BAP
No.	REVISIONS YY/MM/DD BY



DESIGNED BY	BAP	CHECKED BY	BE
DRAWN BY	KMB	APPROVED BY	BE
HOR SCALE	1:100	RELEASED FOR CONSTRUCTION	
VERT SCALE			
DATE	NOV 24, 2022	DATE	



**THE CITY OF WINNIPEG**  
PUBLIC WORKS DEPARTMENT  
ENGINEERING DIVISION

**ST. VITAL TWIN BRIDGE OVER THE RED RIVER REHABILITATION AND RELATED WORKS**

**BRIDGE REHABILITATION**  
PIER 4 DEFECT MAP AND SURFACE REPAIRS

CITY FILE NUMBER: B116-24-42  
SHEET 128 OF 244  
DRAWING NUMBER: 128

PROFESSIONAL'S SEAL: 2103510-SVB-DD-BR-PIER04.dwg

TENDER No. 615-2022