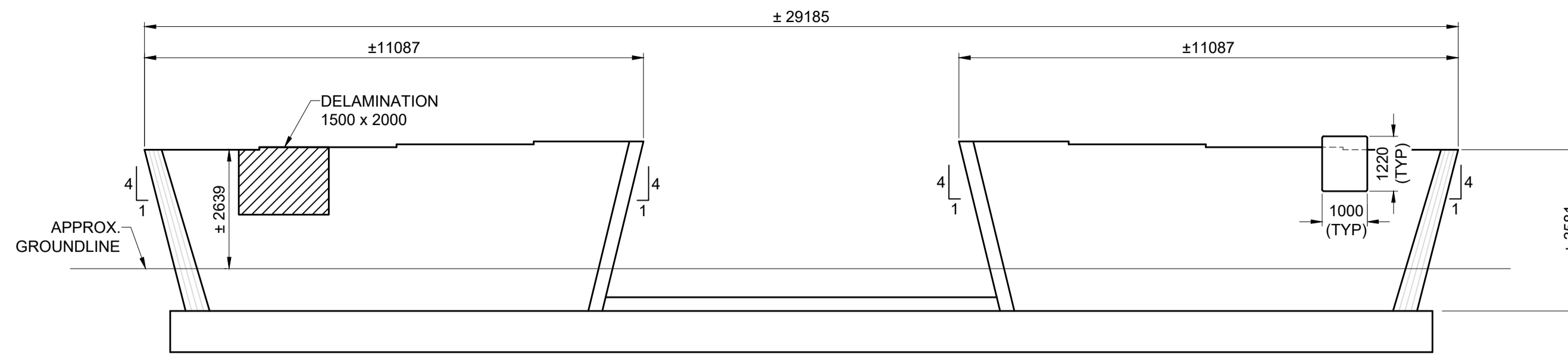


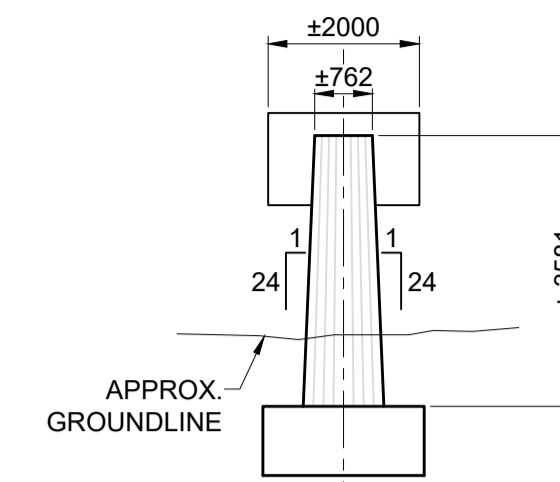
PIER 7 WEST END ⚠

SCALE: 1:100



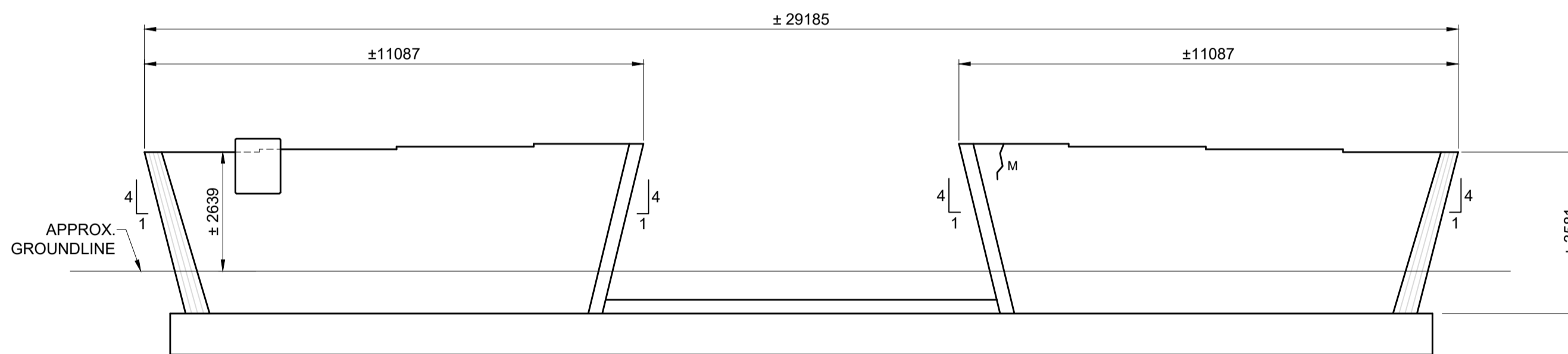
PIER 7 SOUTH FACE ⚠

SCALE: 1:100



PIER 7 EAST END ⚠

SCALE: 1:100



PIER 7 NORTH FACE ⚠

SCALE: 1:100

NOTES: ⚠

1. DEFECTS MAPPED JULY 2022.
2. CONTRACTOR TO UNDERTAKE DELAMINATION SURVEY WITH RESIDENT ENGINEER TO CONFIRM EXTENT OF DEFECTS.
3. MEDIUM AND WIDE CRACKS TO BE EPOXY INJECTED AS DIRECTED BY THE CONTRACT ADMINISTRATOR.
4. REPAIRS TO BE COMPLETED TO DELAMINATED, SPALLED, CRACKED, AND SCALED CONCRETE. REFER TO SHEET 139 FOR PATCH REPAIR DETAILS.
5. MEDIUM CRACKS RANGE IN WIDTH FROM 0.3 TO 1.0 mm ±
6. APPLY PENETRATING SEALER TO EXPOSED CONCRETE SURFACES AFTER COMPLETING CONCRETE REPAIRS AND MODIFICATIONS FOR BEARINGS (REFER TO SHEET 135)

LEGEND:

MEDIUM CRACK	M	SPALL	[Cross-hatch pattern]
WIDE CRACK	W	AQUATIC GROWTH	[Solid grey fill]
DELAMINATION	[Diagonal lines]	DARK STAINING	[Dotted pattern]
		MAP CRACKING	[Wavy pattern]

METRIC
WHOLE NUMBERS INDICATE MILLIMETRES
DECIMALIZED NUMBERS INDICATE METRES

LOCATION APPROVED
UNDERGROUND STRUCTURES

DATE _____
NOTE: LOCATION OF UNDERGROUND STRUCTURES AS SHOWN ARE BASED ON THE BEST INFORMATION AVAILABLE BUT NO GUARANTEE IS GIVEN THAT ALL EXISTING UTILITIES ARE SHOWN OR THAT THE GIVEN LOCATIONS ARE EXACT. CONFIRMATION OF EXISTENCE AND EXACT LOCATION OF ALL SERVICES MUST BE OBTAINED FROM THE INDIVIDUAL UTILITIES BEFORE PROCEEDING WITH CONSTRUCTION.

BM 54-006	TbL in S. face of E. Conc. pier in 1st row of Conc. piers		
ELEV 228.166 m	N. of S. end of St. Vital Bridge over Red River.		
	N. of Kingston Row, 5 m W. of E. end of Pier.		
No.	REVISIONS	DATE	BY
1	REVISED FOR ADDENDUM 3	23/01/13	BAP
0	ISSUED FOR TENDER	22/11/24	BAP



DESIGNED BY	BAP	CHECKED BY	BE
DRAWN BY	KMB	APPROVED BY	BE
HOR SCALE	1:100	RELEASED FOR CONSTRUCTION	
VERT SCALE		DATE	NOV 24, 2022

PROFESSIONAL'S SEAL
PROVINCE OF MANITOBA
B.A.F. PHILLIPS
Member 32723
2023-01-13
REGISTERED PROFESSIONAL ENGINEER
CONSULTANT FILE NAME
2103510-SVB DD-BR-PIER07.dwg

THE CITY OF WINNIPEG
PUBLIC WORKS DEPARTMENT
ENGINEERING DIVISION
ST. VITAL TWIN BRIDGE OVER THE RED RIVER
REHABILITATION AND RELATED WORKS
BRIDGE REHABILITATION
PIER 7 DEFECT MAP AND SURFACE REPAIRS

CITY FILE NUMBER: B116-24-45
SHEET 131 OF 244
DRAWING NUMBER: 131

ENGINEERS
GEOSCIENTISTS
MANITOBA
Certificate of Authorization
MORRISON HERSHFIELD
No. 1736
TENDER No. 615-2022